



CAPTAIN

COMPACT TRACTORS

PARTS CATALOGUE

263 4WD / 283 4WD / 283 4WD NT

Edition 210227



8G
THE EIGHTH
GENERATION

MADE IN INDIA



THE **ROAR** GETS **LOUDER**
FROM THE **LAND** OF **LIONS**

www.captaintractors.com

CONTENTS

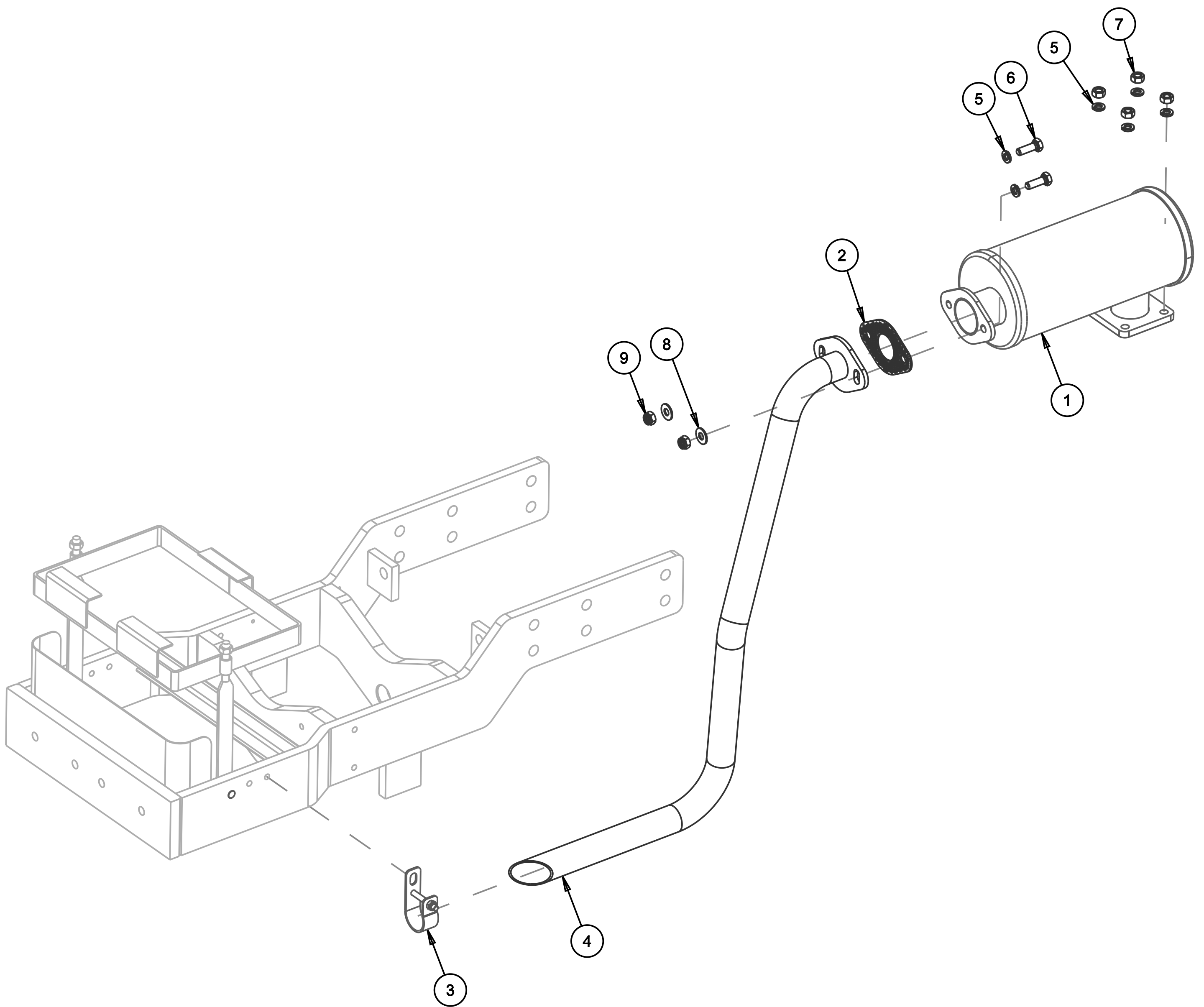
SR. NO.	DESCRIPTION	PAGE NO.
01	MUFFLER ASSEMBLY.....	06
02	RADIATOR COOLANT ASSEMBLY.....	07
03	AIR CLEANER ASSEMBLY.....	11
04	DRY AIR CLEANER ASSEMBLY.....	12
05	ENGINE AND CLUTCH ASSEMBLY.....	13
06	PROPELLER SHAFT ASSEMBLY.....	15
07	CLUTCH HOUSING ASSEMBLY.....	17
08	4WD LINKAGE ASSEMBLY.....	18
09	CLUTCH RELEASE MECHANISM ASSEMBLY.....	19
10	TCA ASSEMBLY.....	20
11	TRANSMISSION HOUSING ASSEMBLY.....	24
12	DIFFERENTIAL CAGE ASSEMBLY.....	25
13	PINION SHAFT ASSEMBLY.....	26
14	MAIN SHAFT ASSEMBLY.....	27
15	PTO SHAFT ASSEMBLY.....	28
16	REVERSE GEAR ASSEMBLY.....	30
17	INPUT SHAFT & 4WD SHAFT ASSEMBLY.....	31
18	FINAL DRIVE LH.....	35
19	FINAL DRIVE RH.....	41
20	WET BRAKE ASSEMBLY.....	47
21	HYDRAULIC BODY ASSEMBLY.....	48
22	HOUSING ASSEMBLY.....	49
23	CYLINDER ASSEMBLY.....	51
24	INTERNAL LEVER ASSEMBLY.....	53
25	TOP LINK BRACKET ASSEMBLY.....	55
26	CONTROL LEVER ASSEMBLY.....	57
27	DIRECTION CONTROL VALVE ASSEMBLY.....	59
28	TRAILER PIPE ASEMBLY.....	61
29	HYDRAULIC PUMP & PIPE ASSEMBLY 1.....	62
30	HYDRAULIC PUMP & PIPE ASSEMBLY 2.....	64
31	PC-DC LEVER.....	70
32	FENDER & FOOTREST ASSEMBLY.....	74

33	HML PTO LEVER ASSEMBLY.....	78
34	PARKING BRAKE ASSEMBLY.....	82
35	FENDER BRACKET AND SEAT ASSEMBLY.....	84
36	ROPS ASSEMBLY.....	86
37	BONNET & FRONT MESH ASSEMBLY 1.....	88
38	BONNET & FRONT MESH ASSEMBLY 2.....	92
39	FUEL TANK CAGE.....	94
40	DASH BOARD ASSEMBLY.....	96
41	FUEL PUMP PIPE 1.....	98
42	FUEL PUMP PIPE 2.....	100
43	HEAT GUARD SEALING ASSY.....	104
44	POWER STEERING ASSEMBLY.....	107
45	HYDROSTATIC STEERING UNIT (50CC) ASSEMBLY.....	111
46	STEERING CYLINDER ASSEMBLY.....	112
47	BRAKE AND CLUTCH PEDAL ASSEMBLY.....	113
48	CHASIS FRAME ASSEMBLY.....	117
49	FRONT DIFFERENTIAL CAGE ASSEMBLY.....	121
50	FRONT DIFFERENTIAL PINION SHAFT ASSEMBLY.....	122
51	FLANGE DIFFERENTIAL HOUSING ASSEMBLY LH.....	123
52	FLANGE DIFFERENTIAL HOUSING ASSEMBLY RH.....	125
53	VERTICAL SHAFT HOUSING ASSEMBLY LH.....	127
54	VERTICAL SHAFT HOUSING ASSEMBLY RH.....	131
55	TIE ROD ASSEMBLY.....	135
56	THREE POINT LINKAGE.....	137
57	HAND ACCELERATOR.....	141
58	FOOT ACCELERATOR.....	143
59	DECALS & STICKERS.....	145
60	FRONT & REAR WHEEL ASSEMBLY.....	155
61	FRONT & REAR WHEEL ASSY (AGRI - WIDE).....	158
62	FRONT & REAR WHEEL ASSY (TURF).....	159
63	FRONT & REAR WHEEL ASSY (FLOTATION).....	160
64	FRONT & REAR WHEEL ASSY (GARDEN GALAXY PRO).....	161
65	FRONT & REAR WHEEL ASSY (WIDER F - AGRI).....	162
66	ELECTRICAL COMPONENT 1.....	163

67	ELECTRICAL COMPONENT 2.....	165
68	ELECTRICAL COMPONENT 3.....	168
69	DIRECTION CONTROL VALVE 2.....	171
70	BEACON LAMP ASSEMBLY.....	173
71	CANOPY FRAME ASSEMBLY.....	174
72	FRONT WEIGHT ASSEMBLY.....	175
73	REAR WHEEL WEIGHT ASSEMBLY.....	176
74	TOW HOOK ASSEMBLY.....	177

ABBREVIATIONS

AR	AS REQUIRED
ASSY	ASSEMBLY
FT	FULL THREAD
HT	HALF THREAD
FIP	FUEL INJECTION PUMP
HYD	HYDRAULIC
L	LENGTH
LH	LEFT HAND SIDE
RH	RIGHT HAND SIDE
PTO	POWER TAKE OFF
DCV	DIRECTION CONTROL VALVE
PS	POWER STEERING
RM	RAW MATERIAL
RPM	REVOLUTION PER MINUTES
T	TEETH
4WD	FOUR WHEEL DRIVE
HML	HIGH MEDIUM LOW
PC-DC	POSITION CONTRL – DRAFT CONTROL
ROPS	ROLL OVER PROTECTIVE STRUCTURE
TCA	TRANSMISSION CONTROL ASSEMBLY
LED	LIGHT EMITING DIOD
ETS	ENERGIZED TO STOP
Lt.	LITRE
QRC	QUICK RELEASE COUPLING
N/A	NOT APPLICABLE



MUFFLER ASSEMBLY

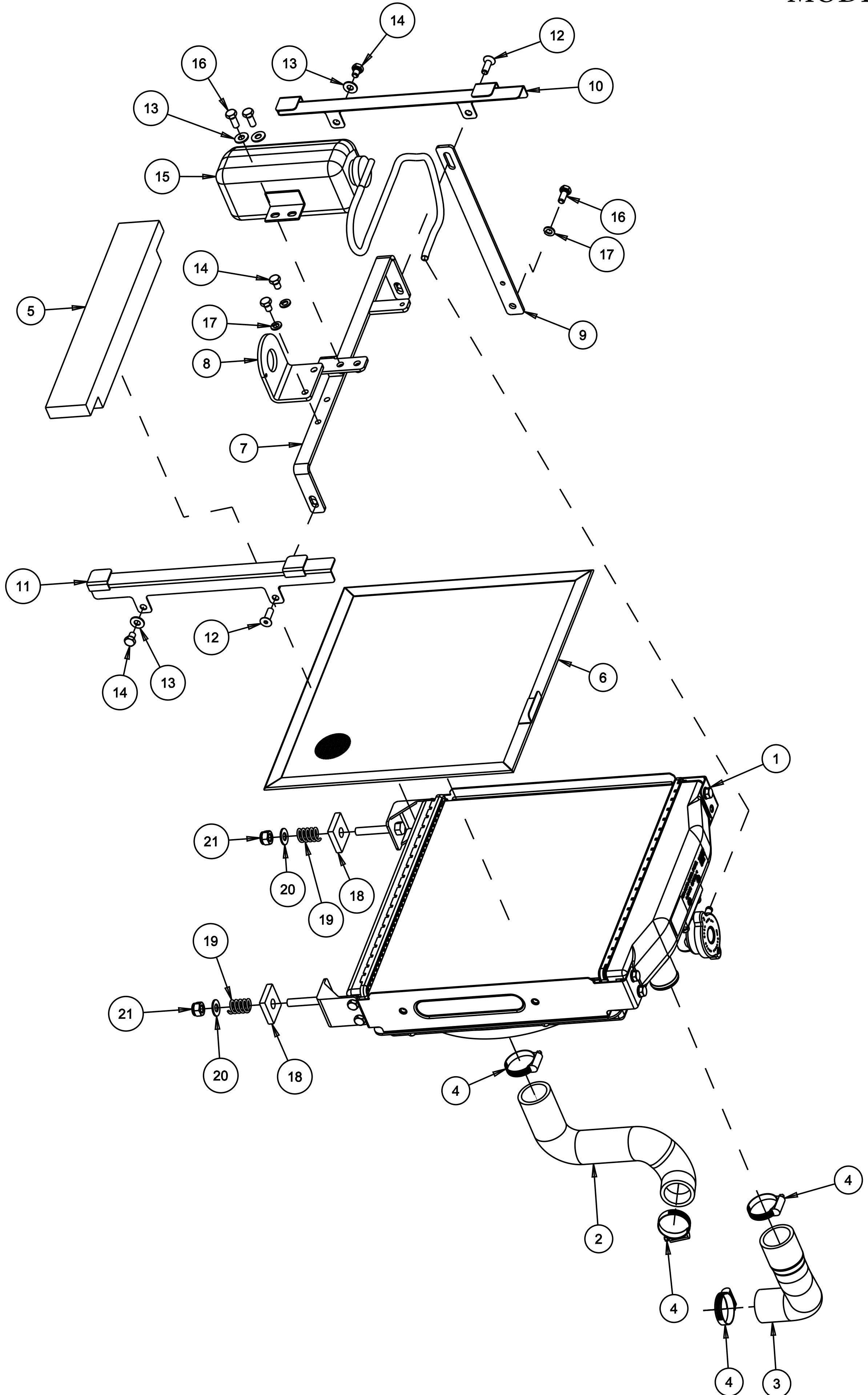
MODEL :- 263, 283, 283 NT

ASSY. NO.:-11305583

SR. NO.	PART NO.	DESCRIPTION	QTY.	REMARKS
1	11202476	SILENCER	1	
2	11203024	GASKET, EXTENSION PIPE	1	
3	11204850	CLAMP , SILENCER EXTENSION PIPE	1	
4	11205341	SILENCER EXTENSION	1	
5	11500052	SPRING WASHER - 8mm	6	
6	11500051	HEX. BOLT M8 X 25 (F.T.)	2	
7	11500082	HEX NUT M8	4	
8	11501068	PLAIN WASHER Ø8.5XØ19X1.5	2	
9	11500520	NYLOCK HEX NUT M8	2	

RADIATOR COOLANT ASSEMBLY

MODEL - 263

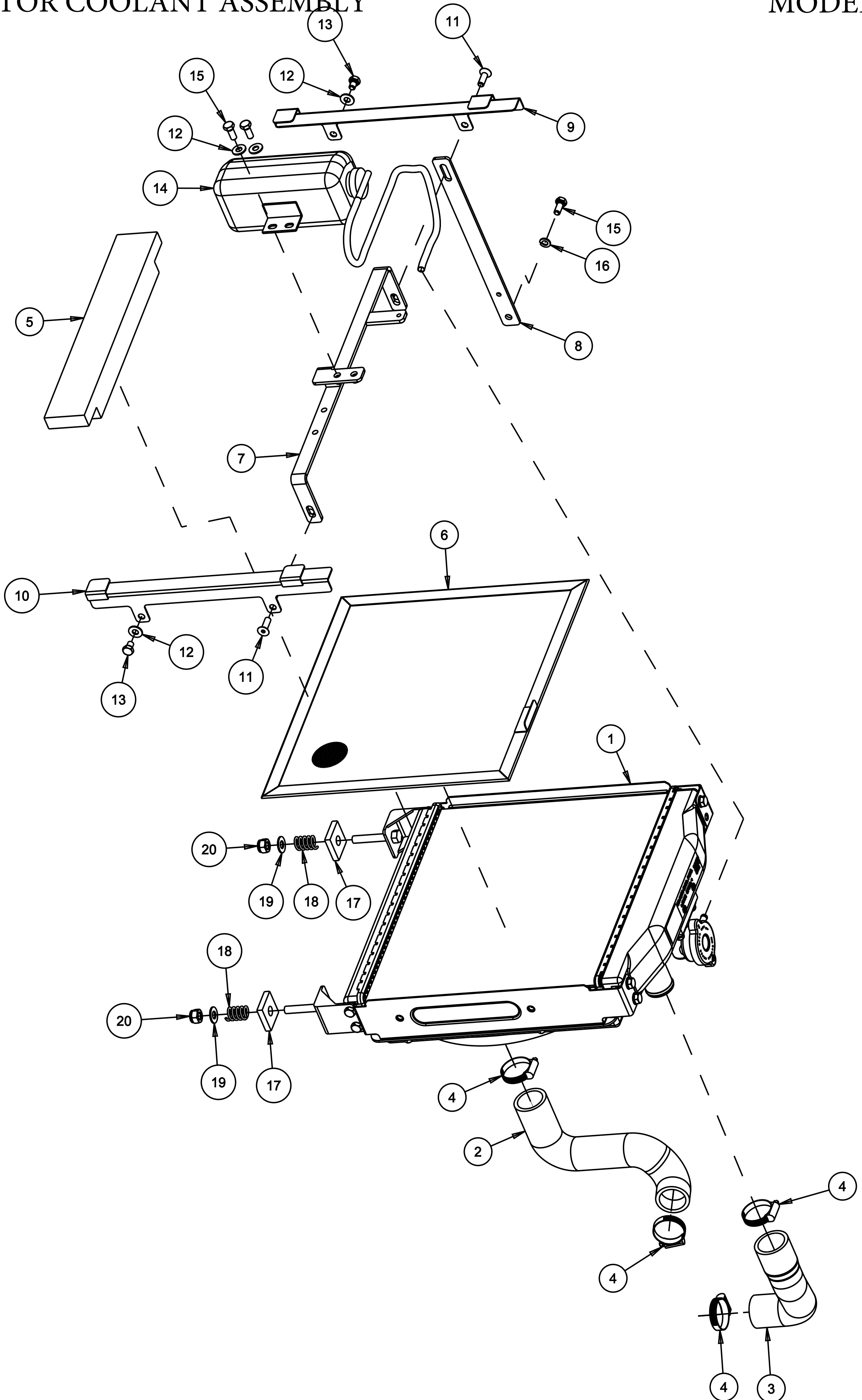


RADIATOR COOLANT ASSEMBLY
MODEL :- 263
ASSY. NO.:-11305590

SR. NO.	PART NO.	DESCRIPTION	QTY.	REMARKS
1	11402454	RADIATOR ASSEMBLY (2.0 Lt)	1	
2	11202438	HOSE PIPE SUCTION, RADIATOR (263)	1	
3	11202439	HOSE PIPE DELIVERY, RADIATOR (263)	1	
4	11201787	CLAMP, HOSE PIPE (2A-50)	4	
5	11205113	FOAM FRONT SEALING	1	
6	11205122	THREADED GUARD (S.M.-2L)	1	
7	11205339	BRACKET, COLLANT RECOVERY TANK	1	
8	11205340	BRACKET BATTERY CUT-OFF	1	
9	11202436	SUPPORT, RADIATOR	1	
10	11205114	GUARD SUPPORT RH	1	
11	11205115	GUARD SUPPORT LH	1	
12	11500766	CSK HEAD SCREW WITH HEX. SOCKET M8x25	2	
13	11501068	PLAIN WASHER Ø8.5XØ19X1.5	4	
14	11500489	HEX BOLT M8 X 12 (F.T.)	4	
15	11402046	COOLANT RECOVERY TANK ASSEMBLY	1	
16	11500067	HEX. BOLT M8X20 (F.T)	3	
17	11500052	SPRING WASHER - 8mm	3	
18	11201643	DAMPER, RADIATOR	2	
19	11201642	SPRING, RADIATOR	2	
20	11500078	PLAIN WASHER Ø10.5xØ22x1.5	2	
21	11500676	NYLOCK HEX. NUT M10	2	

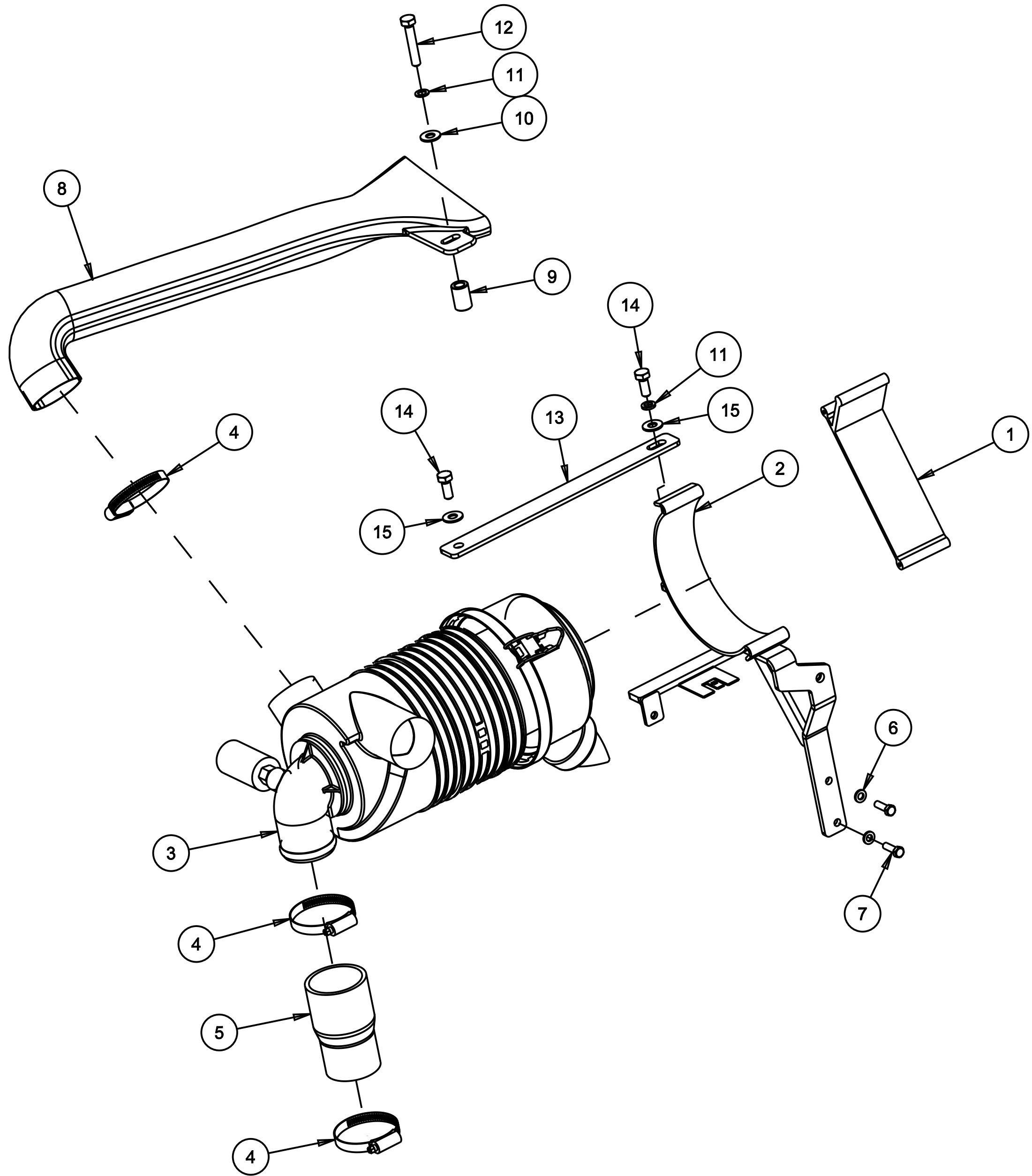
RADIATOR COOLANT ASSEMBLY

MODEL - 283



RADIATOR COOLANT ASSEMBLY

MODEL :- 283, 283 NT			ASSY. NO.:-11305663	
SR. NO.	PART NO.	DESCRIPTION	QTY.	REMARKS
1	11402454	RADIATOR ASSEMBLY (2.0 Lt)	1	
2	11202438	HOSE PIPE SUCTION, RADIATOR (263)	1	
3	11202439	HOSE PIPE DELIVERY, RADIATOR (263)	1	
4	11201787	CLAMP, HOSE PIPE (2A-50)	4	
5	11205113	FOAM FRONT SEALING	1	
6	11205122	THREADED GUARD (S.M.-2L)	1	
7	11205339	BRACKET, COLLANT RECOVERY TANK	1	
8	11202436	SUPPORT, RADIATOR	1	
9	11205114	GUARD SUPPORT RH	1	
10	11205115	GUARD SUPPORT LH	1	
11	11500766	CSK HEAD SCREW WITH HEX. SOCKET M8x25	2	
12	11501068	PLAIN WASHER Ø8.5XØ19X1.5	4	
13	11500489	HEX BOLT M8 X 12 (F.T.)	2	
14	11402046	COOLANT RECOVERY TANK ASSEMBLY	1	
15	11500067	HEX. BOLT M8X20 (F.T)	3	
16	11500052	SPRING WASHER - 8mm	1	
17	11201643	DAMPER, RADIATOR	2	
18	11201642	SPRING, RADIATOR	2	
19	11500078	PLAIN WASHER Ø10.5xØ22x1.5	2	
20	11500676	NYLOCK HEX. NUT M10	2	

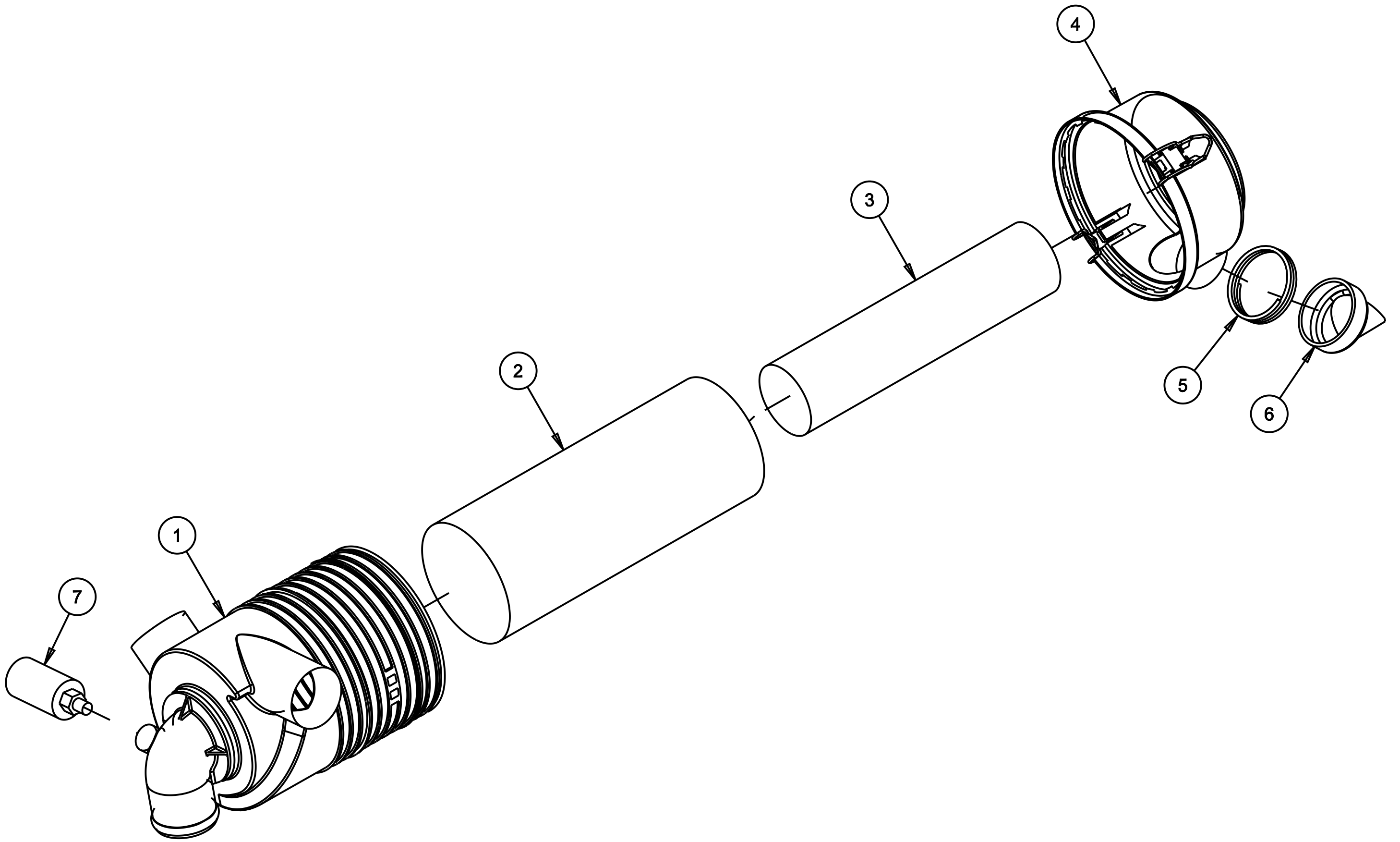


AIR CLEANER ASSEMBLY

MODEL :- 263, 283, 283 NT

ASSY. NO.:-11305546

SR. NO.	PART NO.	DESCRIPTION	QTY.	REMARKS
1	11205524	AIR CLEANER STRAP	1	
2	11205338	BRACKET, AIR CLEANER	1	
3	11403022	DRY AIR CLEANER ASSY. (273)	1	
4	11200022	CLAMP FOR AIR CLEANER	3	
5	11202437	HOSE PIPE, AIR INTAKE (273)	1	
6	11500073	SPRING WASHER - 6 mm	2	
7	11500426	HEX. BOLT M6x20 (F.T)	2	
8	11205363	DUCT AIR CLEANER INLET	1	
9	11205430	SPACER (Ø9xØ16x24)	1	
10	11501068	PLAIN WASHER (Ø8.5xØ19x1.5)	1	
11	11500052	SPRING WASHER 8mm	2	
12	11505248	HEX.BOLT M8x45(8.8)	1	
13	11205429	AIR CLEANER SUPPORT	1	
14	11500067	HEX. BOLT M8x20 (F.T)	2	
15	11501068	PLAIN WASHER Ø8.5XØ19X1.5	2	

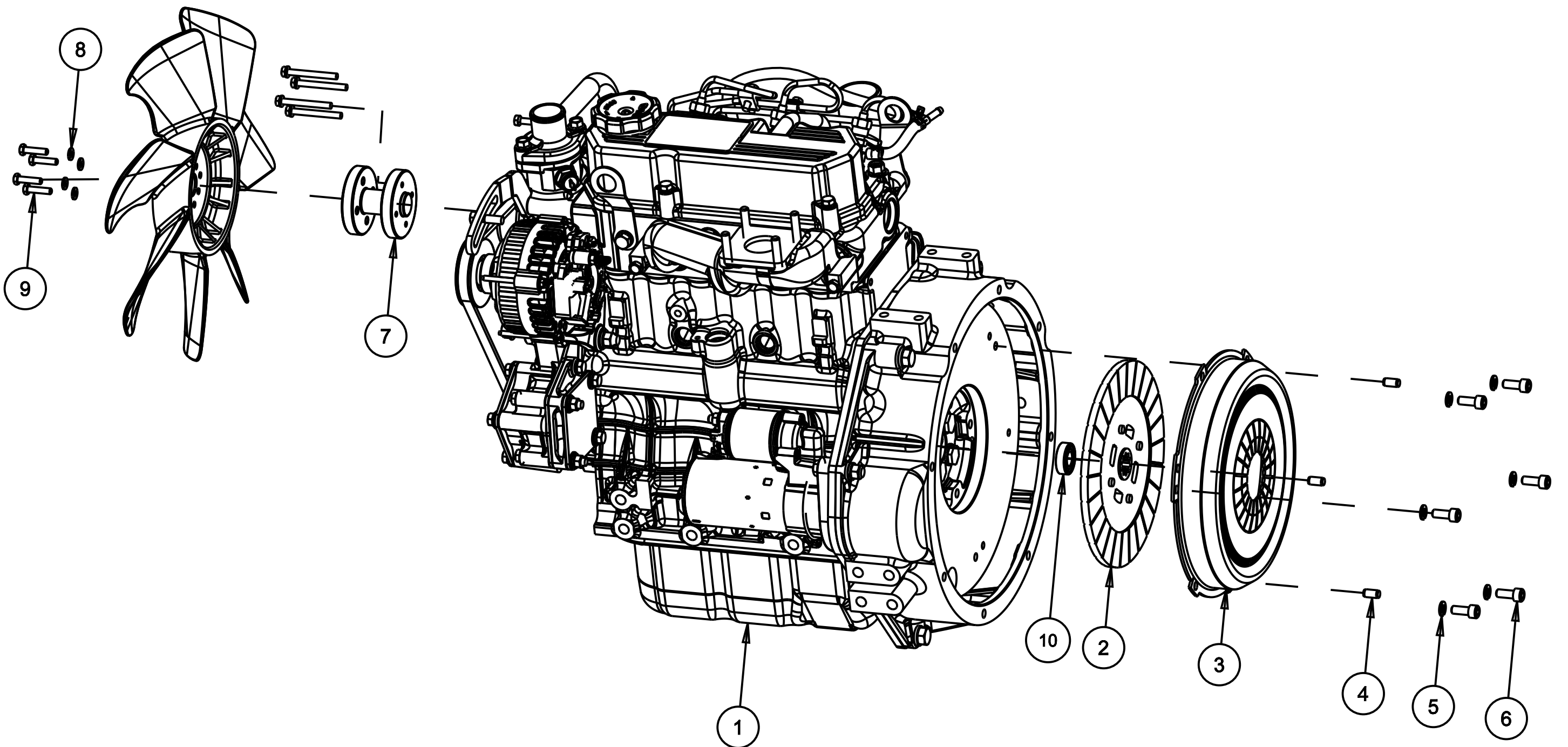


DRY AIR CLEANER ASSEMBLY

MODEL :- 263, 283, 283 NT

ASSY. NO.:-11305556

SR. NO.	PART NO.	DESCRIPTION	QTY.	REMARKS
1	11405249	BODY ASSEMBLY (AIR CLEANER)	1	
2	11403023	PRIMARY AIR ELEMENT (273)	1	
3	11403300	FILTER, ASSEMBLY SECONDARY	1	
4	11403954	COVER ASSEMBLY	1	
5	11405407	DUST VALVE CLAMP- AIR CLEANER	1	
6	11403931	VACUATOR VALVE	1	
7	11403932	MECHANICAL INDICATOR	1	

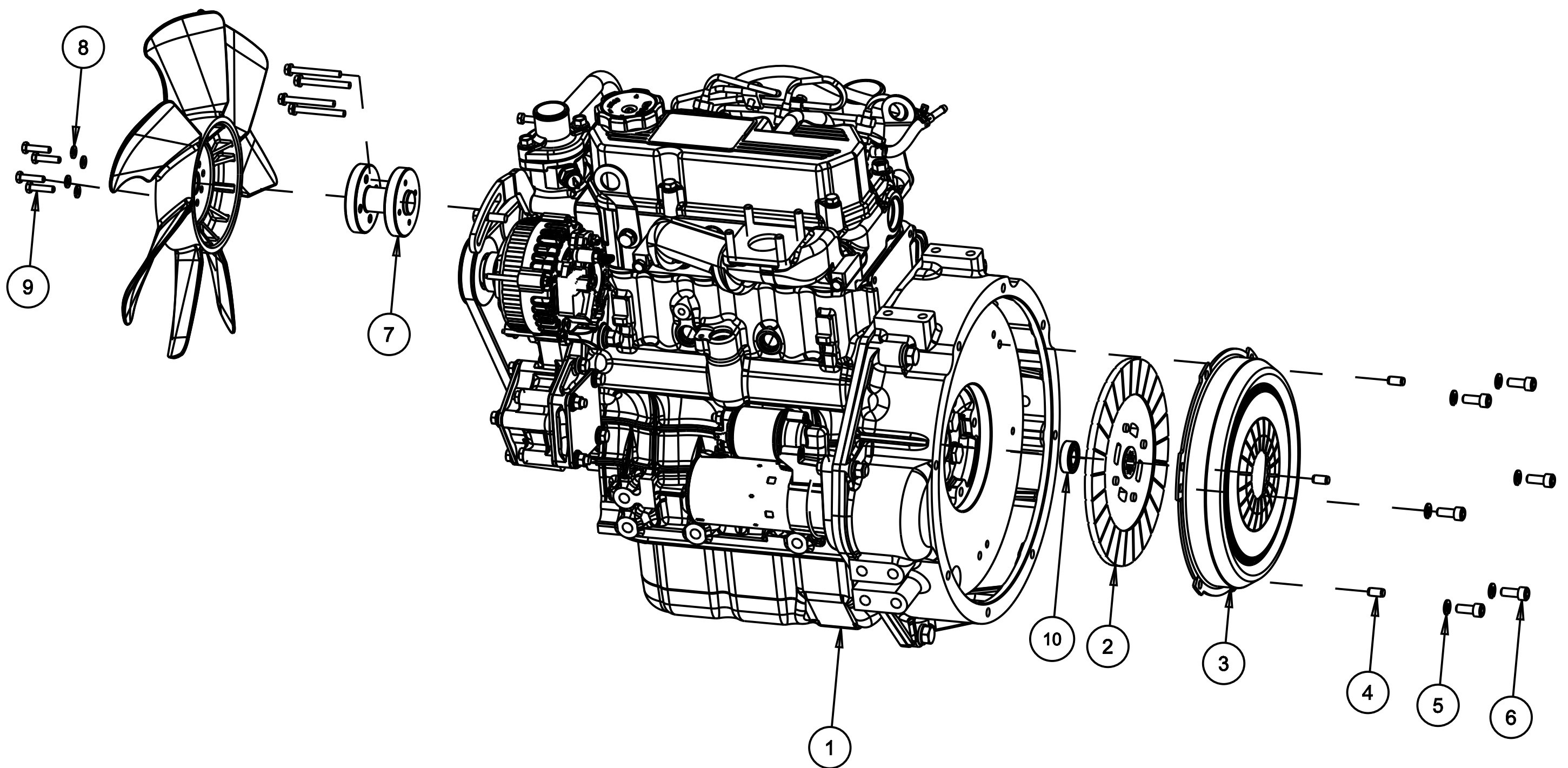


ENGINE AND CLUTCH ASSEMBLY

MODEL :- 263

ASSY. NO.:-11305560

SR. NO.	PART NO.	DESCRIPTION	QTY.	REMARKS
1	31404562	ENGINE, S3L2-18.2/2500-3 CYL (EU STAGE-V)	1	
2	11400626	CLUTCH PLATE Ø215	1	
3	11400625	PRESSURE PLATE Ø215	1	
4	11200119	PIN, DOWEL Ø8 X 16	3	
5	11500052	SPRING WASHER - 8mm	6	
6	11500599	ALLEN BOLT M8x20 (F.T)	6	
7	11202763	DISTANCE, FAN RADIATOR	1	
8	11500073	SPRING WASHER - 6 mm	4	
9	11500195	HEX. BOLT M6x25 (F.T.)8.8	4	
10	11505249	BALL BEARING 6002 ZZ	1	



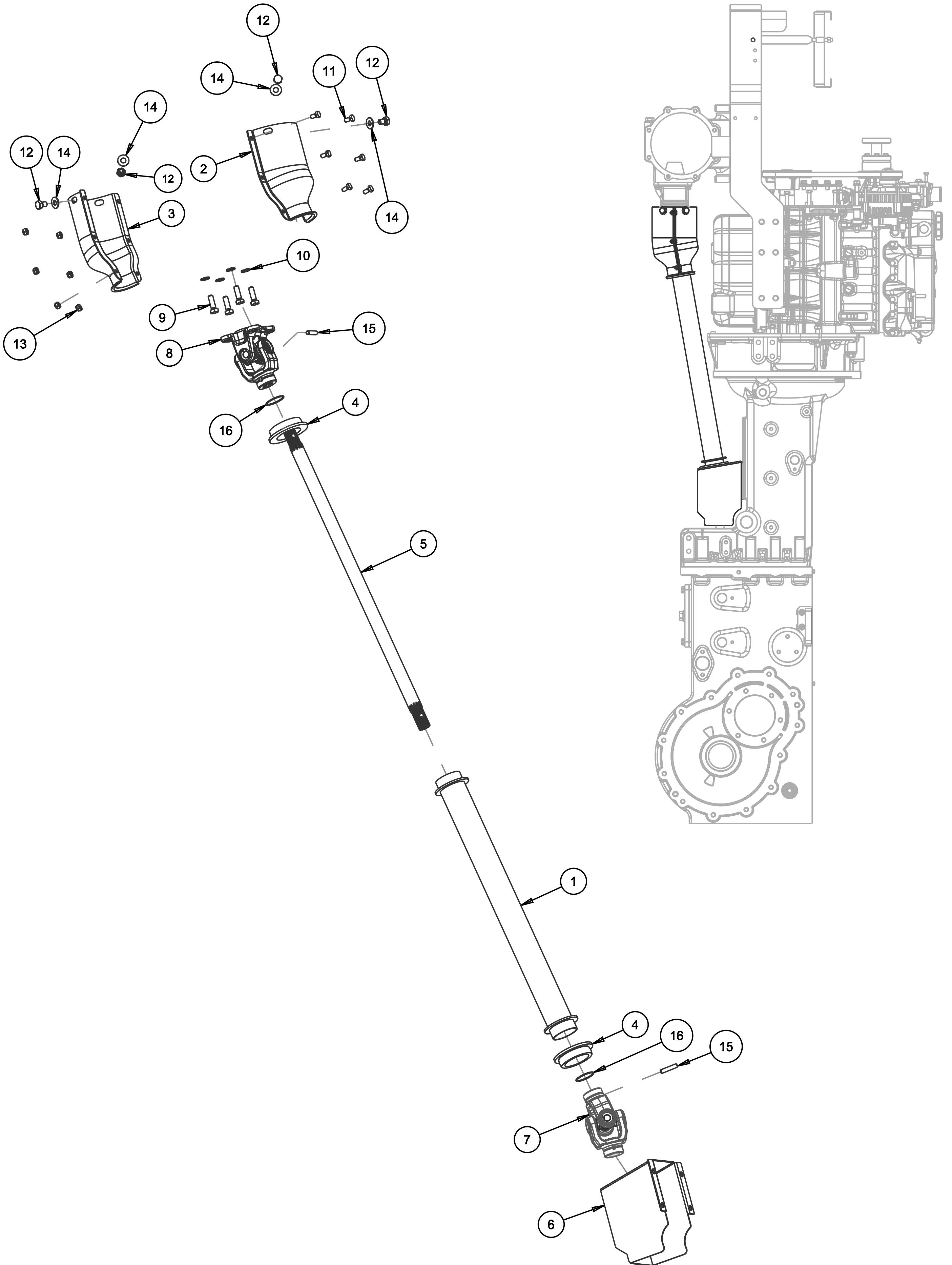
ENGINE AND CLUTCH ASSEMBLY

MODEL :- 283, 283 NT

ASSY. NO.:-11305660

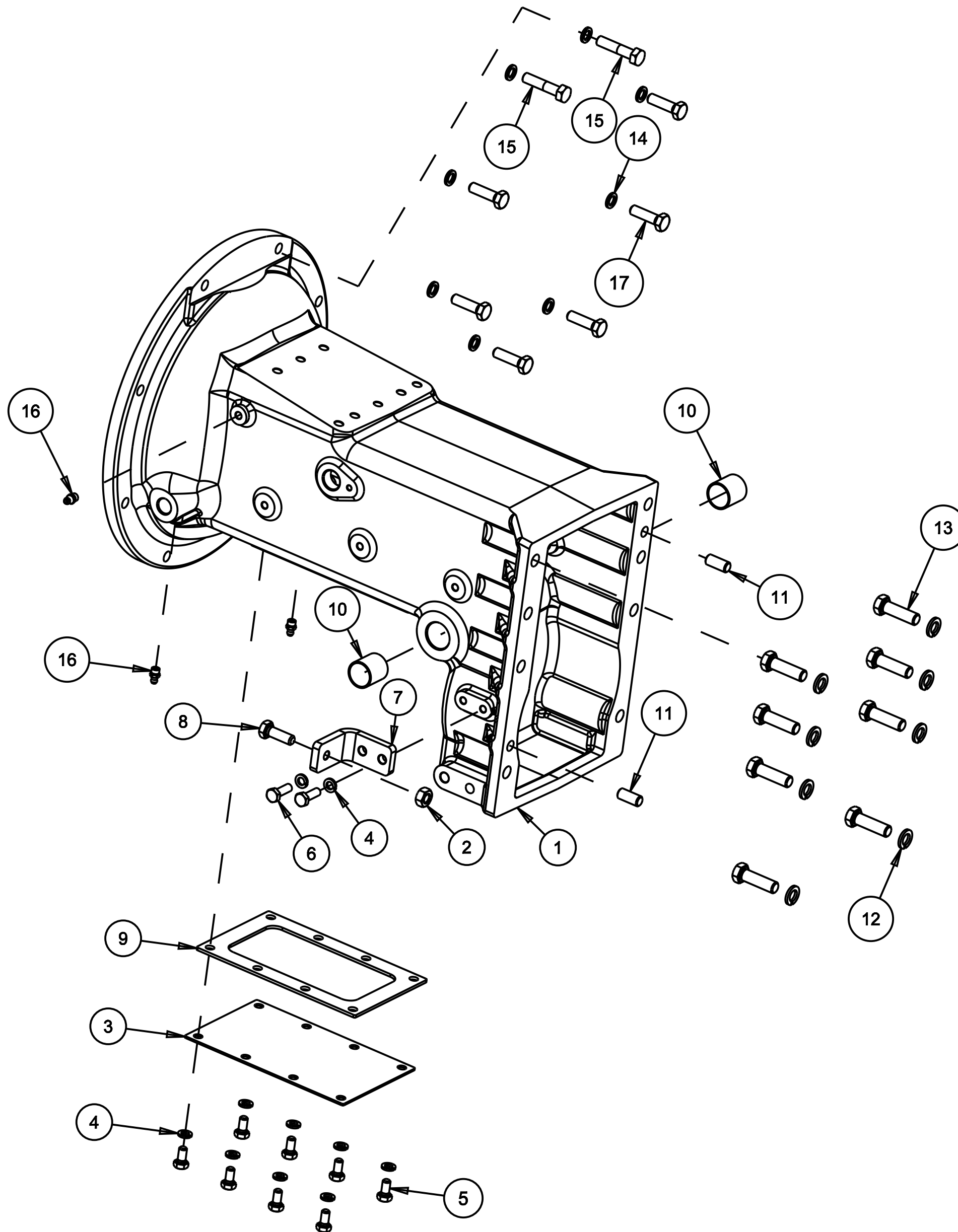
SR. NO.	PART NO.	DESCRIPTION	QTY.	REMARKS
1	31404982	ENGINE, MVS3L2 19.9/2700 3-CYL (STAGE IIIA)	1	
2	11400626	CLUTCH PLATE Ø215	1	
3	11400625	PRESSURE PLATE Ø215	1	
4	11200119	PIN, DOWEL Ø8 X 16	3	
5	11500052	SPRING WASHER - 8mm	6	
6	11500599	ALLEN BOLT M8x20 (F.T)	6	
7	11202763	DISTANCE, FAN RADIATOR	1	
8	11500073	SPRING WASHER - 6 mm	4	
9	11500195	HEX. BOLT M6x25 (F.T.)8.8	4	
10	11505249	BALL BEARING 6002 ZZ	1	

PROPELLER SHAFT ASSEMBLY



PROPELLER SHAFT ASSEMBLY

MODEL :- 263, 283, 283 NT			ASSY. NO.:-11305588	
SR. NO.	PART NO.	DESCRIPTION	QTY.	REMARKS
1	11203220	SHAFT COVER, PROPELLER GUARD	1	
2	11203221	UNIVERSAL JOINT COVER FRONT TOP	1	
3	11203222	UNIVERSAL JOINT COVER FRONT BOTTOM	1	
4	11204916	RUBBER BUSH SMALL GUARD	2	
5	11204952	SHAFT,PROPLLER (576) (MIT.)	1	
6	11205016	UNIVERSAL JOINT COVER REAR	1	
7	11404893	UNIVERSAL JOINT ASSY.(YOKE WITH YOKE)	1	
8	11404894	UNIVERSAL JOINT ASSY.(CROSS HOLDER WITH YOKE)	1	
9	11500051	HEX. BOLT M8 X 25 (F.T.)	4	
10	11500052	SPRING WASHER - 8mm	4	
11	11500484	HEX. BOLT M6 X 12 (F.T.)	6	
12	11500489	HEX BOLT M8 X 12 (F.T.)	4	
13	11500947	NYLOCK NUT M6	6	
14	11501068	PLAIN WASHER Ø8.5XØ19X1.5	4	
15	11504969	DOWEL PIN UNIVERSAL JOINT	2	
16	11504970	SNAP RING FOR SHAFT DIA 32	2	

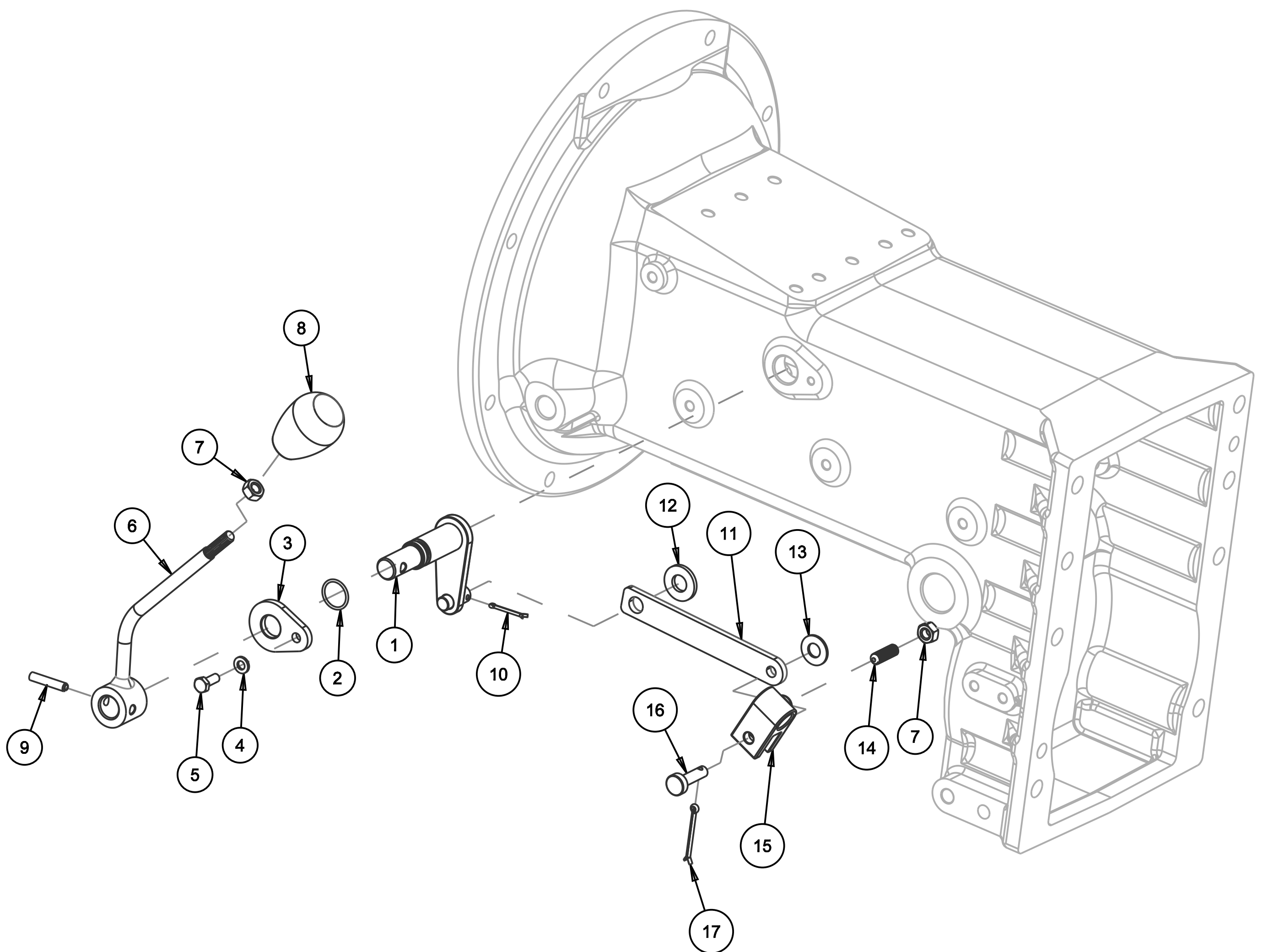


CLUTCH HOUSING ASSEMBLY

MODEL :- 263, 283, 283 NT

ASSY. NO.:-11305551

SR. NO.	PART NO.	DESCRIPTION	QTY.	REMARKS
1	11204872	TRACTOR CENTER HOUSING-MIT.(4WD)	1	
2	11500024	HEX NUT M10	1	
3	11202399	BOTTOM PLATE, CLUTCH HOUSING	1	
4	11500052	SPRING WASHER - 8mm	10	
5	11500076	HEX. BOLT M8X16 (F.T.)	8	
6	11500051	HEX. BOLT M8 X 25 (F.T.)	2	
7	11203019	CLUTCH STOPER	1	
8	11500232	HEX. BOLT M10 X 30 (F.T.)	1	
9	11202400	RUBBER GASKET,CLUTCH HOUSING	1	
10	11202430	BUSH, PEDAL IGUS (Ø25 x Ø28 x 30)	2	
11	11201458	PIN, DOWEL Ø11X25	2	
12	11500118	SPRING WASHER 12 mm	8	
13	11500307	HEX. BOLT M12X40 (H.T.)	8	
14	11500062	SPRING WASHER 10mm	8	
15	11505035	HEX.BOLT 10x45x1.25P(H.T)	2	
16	11502088	GREASE NIPPLE M8x1	3	
17	11505062	HEX BOLT M10X1.25X35 (F.T.) 10.9	6	

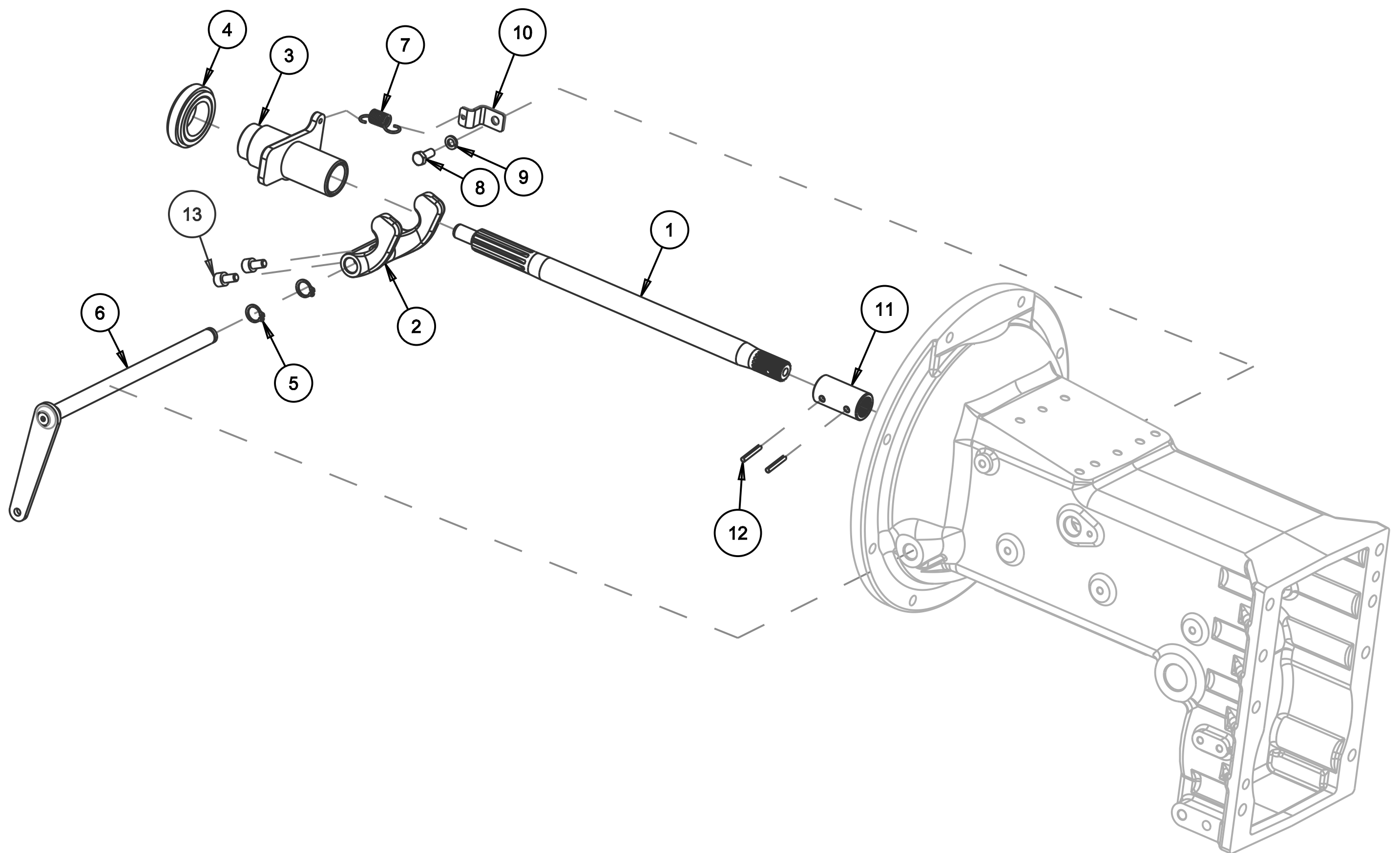


4WD LINKAGE ASSEMBLY

MODEL :- 263, 283, 283 NT

ASSY. NO.:-11305545

SR. NO.	PART NO.	DESCRIPTION	QTY.	REMARKS
1	11203097	SHIFTER,4WD	1	
2	11504884	O-RING Ø18.77 x 1.78	1	
3	11202406	LOCK WASHER , DIFFERENTIAL LOCK	1	
4	11500073	SPRING WASHER - 6 mm	1	
5	11500071	HEX. BOLT M6x16	1	
6	11203098	LEVER, 4WD SHIFTING	1	
7	11500082	HEX NUT M8	2	
8	11201186	KNOB, 4WD LEVER	1	
9	11502531	SLOTTED SPRING PIN Ø6X30	1	
10	11500619	SPLIT PIN 3/32" x 1"	1	
11	11203133	LINK ,4WD	1	
12	11500080	PLAIN WASHER Ø12.5xØ26x3	1	
13	11500078	PLAIN WASHER Ø10.5xØ22x1.5	1	
14	11501075	GRUB BOLT M8x25	1	
15	11203125	SHIFTER, GUIDE , 4WD	1	
16	11203135	PIN ,4WD	1	
17	11500357	SPLIT PIN 1/8" x 1.1/2"	1	



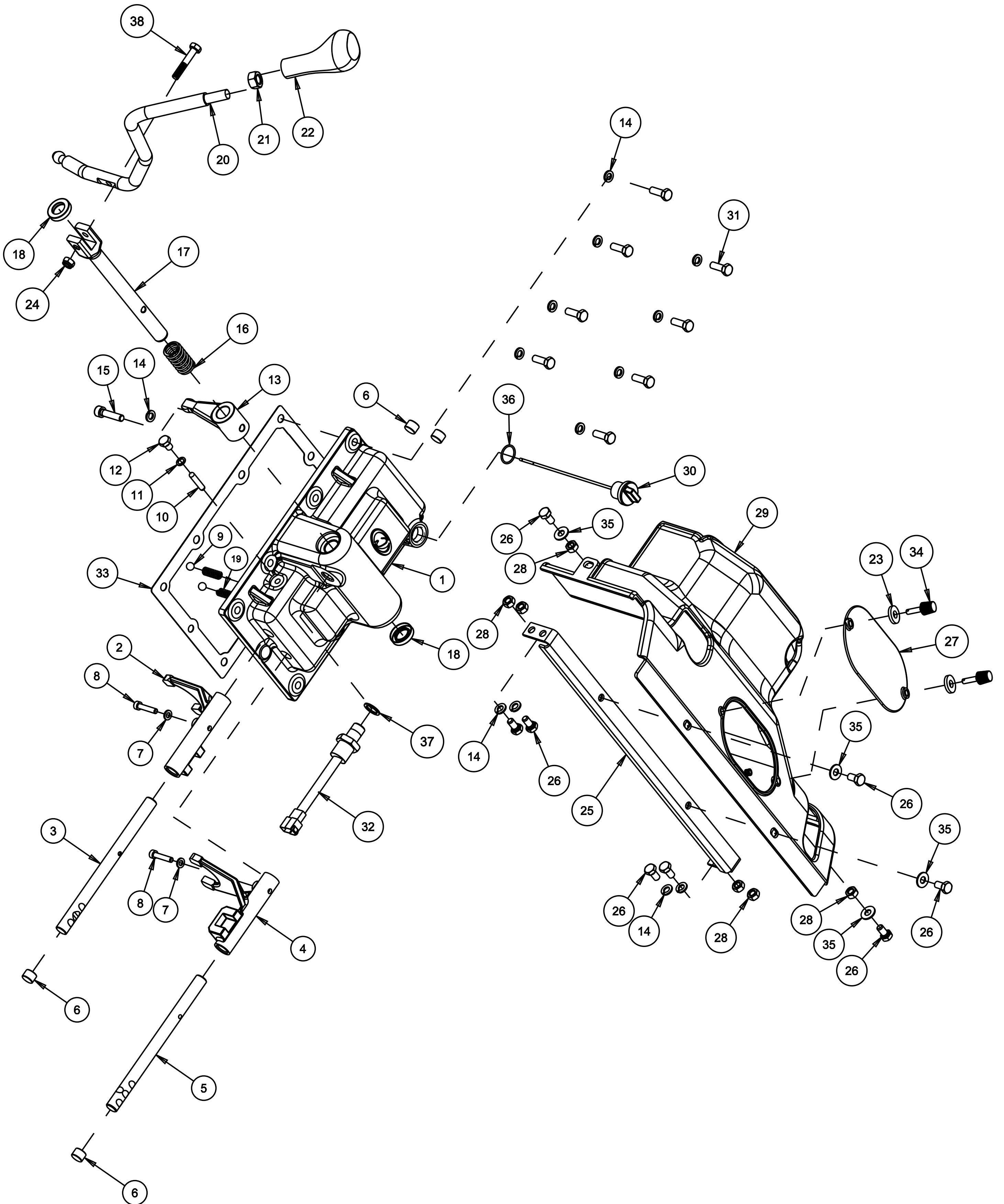
CLUTCH RELEASE MECHANISM ASSEMBLY

MODEL :- 263, 283, 283 NT
ASSY. NO.:-11305552

SR. NO.	PART NO.	DESCRIPTION	QTY.	REMARKS
1	11202381	SHAFT, INPUT	1	
2	11202468	FORK, CLUTCH RELEASE	1	
3	11203096	HUB, CLUTCH RELEASE	1	
4	11501610	BEARING TX41	1	
5	11503276	CIRCLIP EXTERNAL Ø16X1.5	2	
6	11202469	SHAFT, CLUTCH RELEASE	1	
7	11200057	SPRING, CLUTCH HUB	1	
8	11500067	HEX. BOLT M8X20 (F.T)	1	
9	11500052	SPRING WASHER - 8mm	1	
10	11202401	BRACKET ,SPRING HOLDING	1	
11	11202379	COUPLING, INPUT SHAFT	1	
12	11502524	SLOTTED SPRING PIN Ø5X30	2	
13	11501035	ALLEN BOLT M8X16 (F.T.)	2	

TCA ASSEMBLY

MODEL - 263

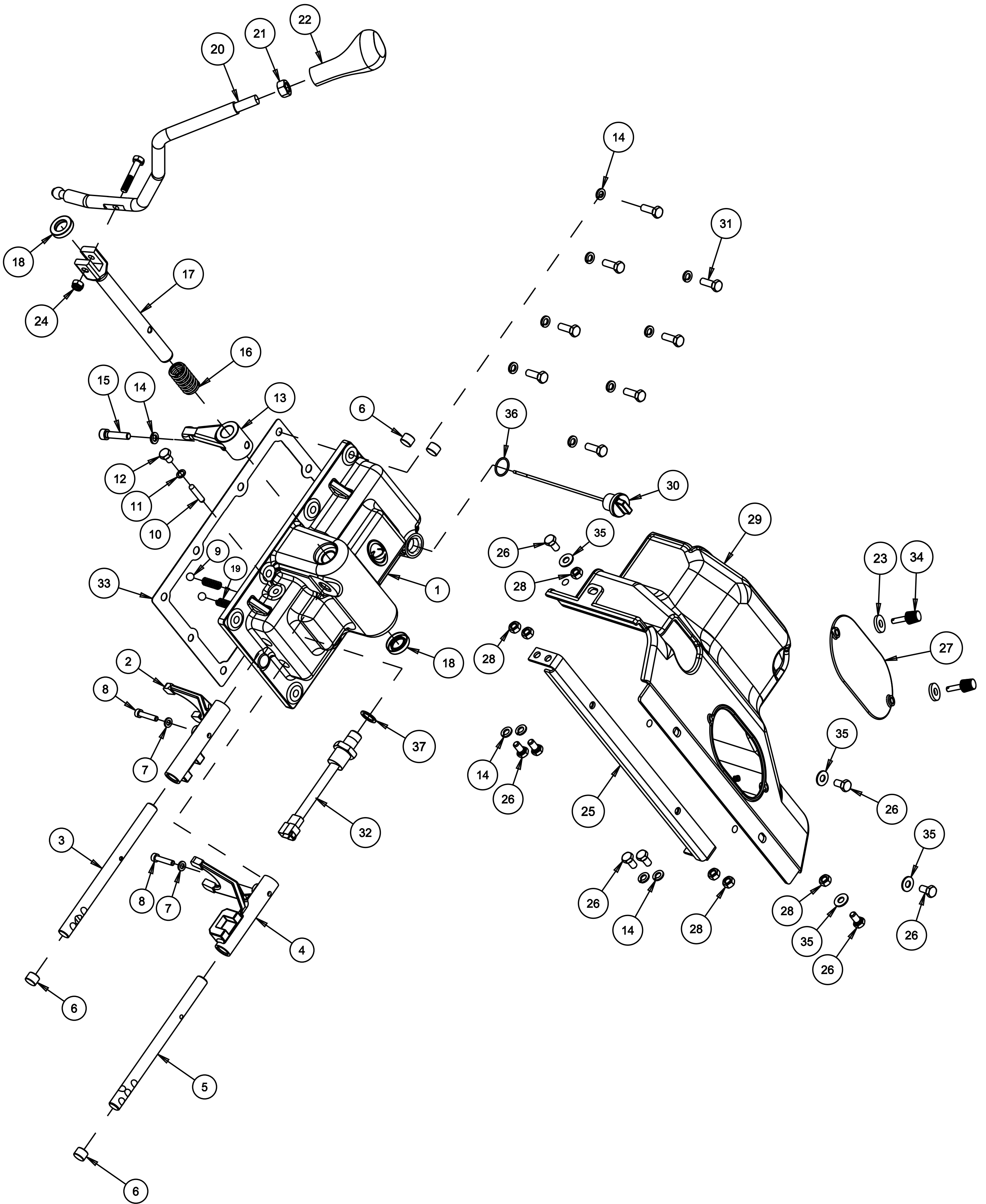


TCA ASSEMBLY
MODEL :- 263
ASSY. NO.:-11305593

SR. NO.	PART NO.	DESCRIPTION	QTY.	REMARKS
1	11202349	HOUSING TCA	1	
2	11202351	FORK 2-3	1	
3	11202391	SHIFT RAIL 2-3	1	
4	11202350	FORK 1-R	1	
5	11202390	SHIFT RAIL 1-R	1	
6	11200097	SEALING CAP	4	
7	11500073	SPRING WASHER - 6 mm	2	
8	11500094	ALLEN BOLT M6X30 (F.T.)	2	
9	11500089	BALL - Ø3/8"	2	
10	11202990	INTER LOCK PIN, TCA	1	
11	11500112	COPPER WASHER Ø8XØ12X1	1	
12	11500489	HEX BOLT M8 X 12 (F.T.)	1	
13	11203099	SHIFTER, TCA	1	
14	11500052	SPRING WASHER - 8mm	13	
15	11503264	ALLEN BOLT M8x35 (F.T.)	1	
16	11203100	SPRING, L-41	1	
17	11202507	SHAFT, SHIFTING TCA	1	
18	11502753	OIL SEAL Ø18XØ30X7	2	
19	11200090	SPRING SHIFT RAIL	2	
20	11205224	LEVER - GEAR SHIFTING	1	
21	11500117	HEX NUT M12	1	
22	11202432	KNOB, GEAR SHIFTING LEVER	1	
23	11201535	RUBBER WAHSER Ø9xØ22x3.5	2	
24	11500520	NYLOCK HEX NUT M8	1	
25	11205225	SUPPORT - TCA COVER	1	
26	11500076	HEX. BOLT M8X16 (F.T.)	8	
27	11205320	WINDOW TCA COVER	1	
28	11500082	HEX NUT M8	6	
29	11205425	TCA COVER - 488	1	
30	11302410	DIPSTICK, TCA	1	
31	11500051	HEX. BOLT M8 X 25 (F.T.)	8	
32	11402494	NEUTRAL SAFETY SWITCH	1	
33	11202395	GASKET TCA	1	
34	11205321	KNOB M6X25	2	
35	11501068	PLAIN WASHER Ø8.5XØ19X1.5	4	
36	11504885	O RING Ø20.35 X 1.78	1	
37	11504908	COPPER WASHER Ø22 X Ø16 X 1.5	1	QTY:- AR
38	11505403	HEX BOLT M8 X 45 HT 10.9	1	

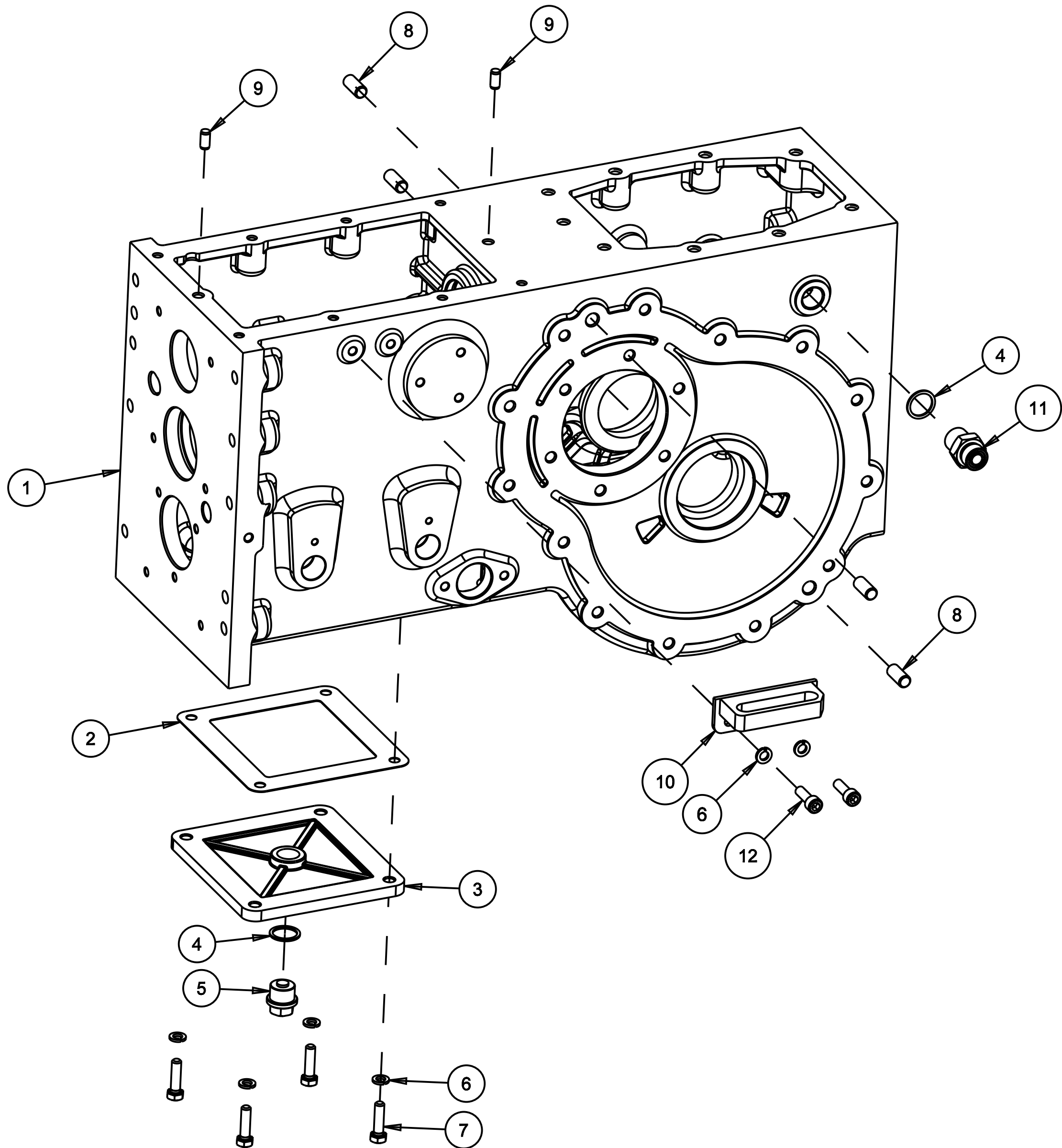
TCA ASSEMBLY

MODEL - 283



TCA ASSEMBLY

MODEL :- 283, 283 NT			ASSY. NO.:-11305683	
SR. NO.	PART NO.	DESCRIPTION	QTY.	REMARKS
1	11202349	HOUSING TCA	1	
2	11202351	FORK 2-3	1	
3	11202391	SHIFT RAIL 2-3	1	
4	11202350	FORK 1-R	1	
5	11202390	SHIFT RAIL 1-R	1	
6	11200097	SEALING CAP	4	
7	11500073	SPRING WASHER - 6 mm	2	
8	11500094	ALLEN BOLT M6X30 (F.T.)	2	
9	11500089	BALL - Ø3/8"	2	
10	11202990	INTER LOCK PIN, TCA	1	
11	11500112	COPPER WASHER Ø8XØ12X1	1	
12	11500489	HEX BOLT M8 X 12 (F.T.)	1	
13	11203099	SHIFTER, TCA	1	
14	11500052	SPRING WASHER - 8mm	13	
15	11503264	ALLEN BOLT M8x35 (F.T.)	1	
16	11203100	SPRING, L-41	1	
17	11202507	SHAFT, SHIFTING TCA	1	
18	11502753	OIL SEAL Ø18XØ30X7	2	
19	11200090	SPRING SHIFT RAIL	2	
20	11202465	LEVER GEAR SHIFTING	1	
21	11500117	HEX NUT M12	1	
22	11202432	KNOB, GEAR SHIFTING LEVER	1	
23	11201535	RUBBER WAHSER Ø9xØ22x3.5	2	
24	11500520	NYLOCK HEX NUT M8	1	
25	11205151	SUPPORT - TCA COVER	1	
26	11500076	HEX. BOLT M8X16 (F.T.)	8	
27	11205320	WINDOW TCA COVER	1	
28	11500082	HEX NUT M8	6	
29	11205023	TCA COVER 418	1	
30	11302410	DIPSTICK, TCA	1	
31	11500051	HEX. BOLT M8 X 25 (F.T.)	8	
32	11402494	NEUTRAL SAFETY SWITCH	1	
33	11202395	GASKET TCA	1	
34	11205321	KNOB M6X25	2	
35	11501068	PLAIN WASHER Ø8.5XØ19X1.5	4	
36	11504885	O RING Ø20.35 X 1.78	1	
37	11504908	COPPER WASHER Ø22 X Ø16 X 1.5	1	QTY:- AR
38	11505403	HEX BOLT M8 X 45 HT 10.9	1	

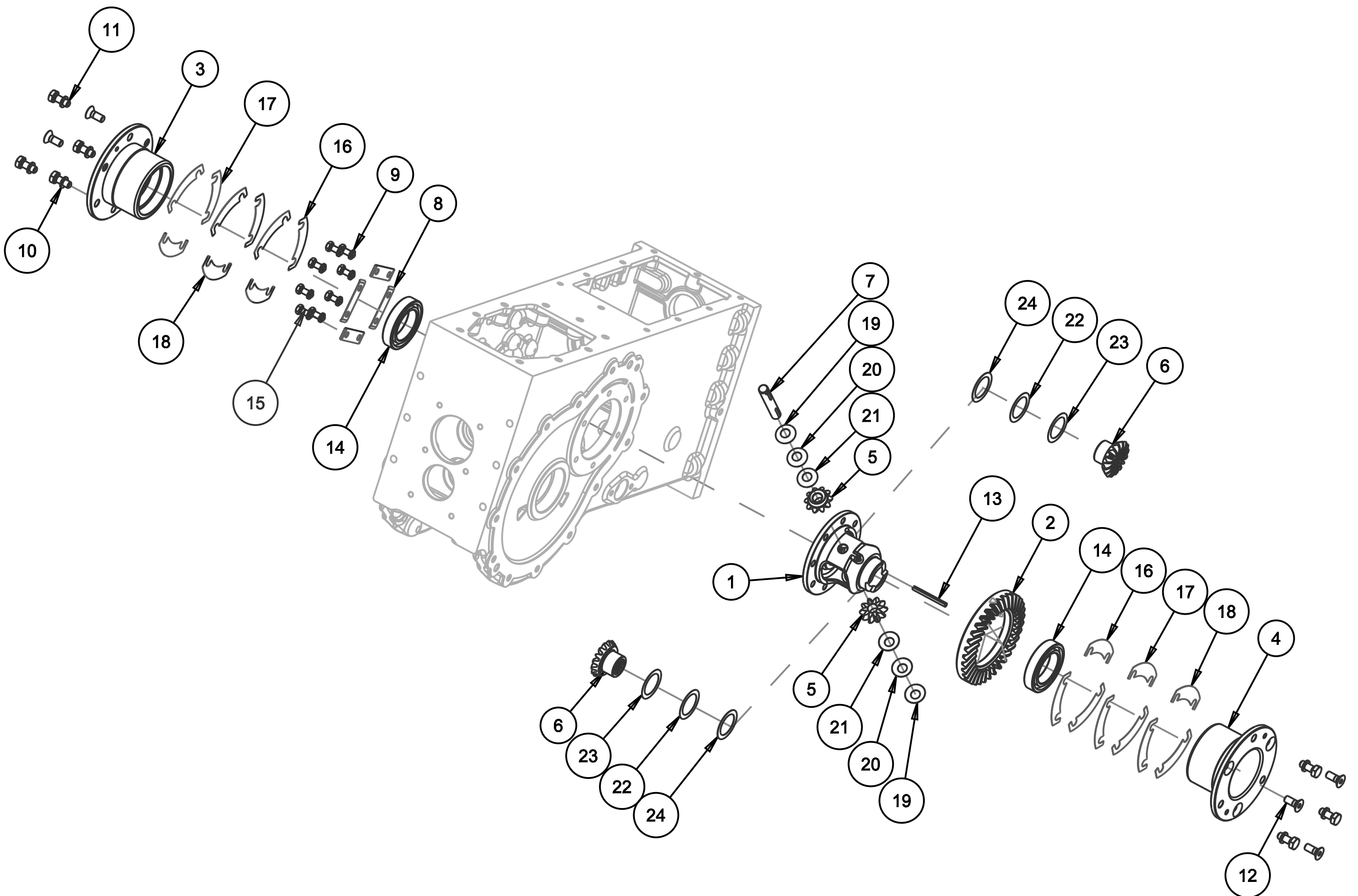


TRANSMISSION HOUSING ASSEMBLY

MODEL :- 263, 283, 283 NT

ASSY. NO.:-11305595

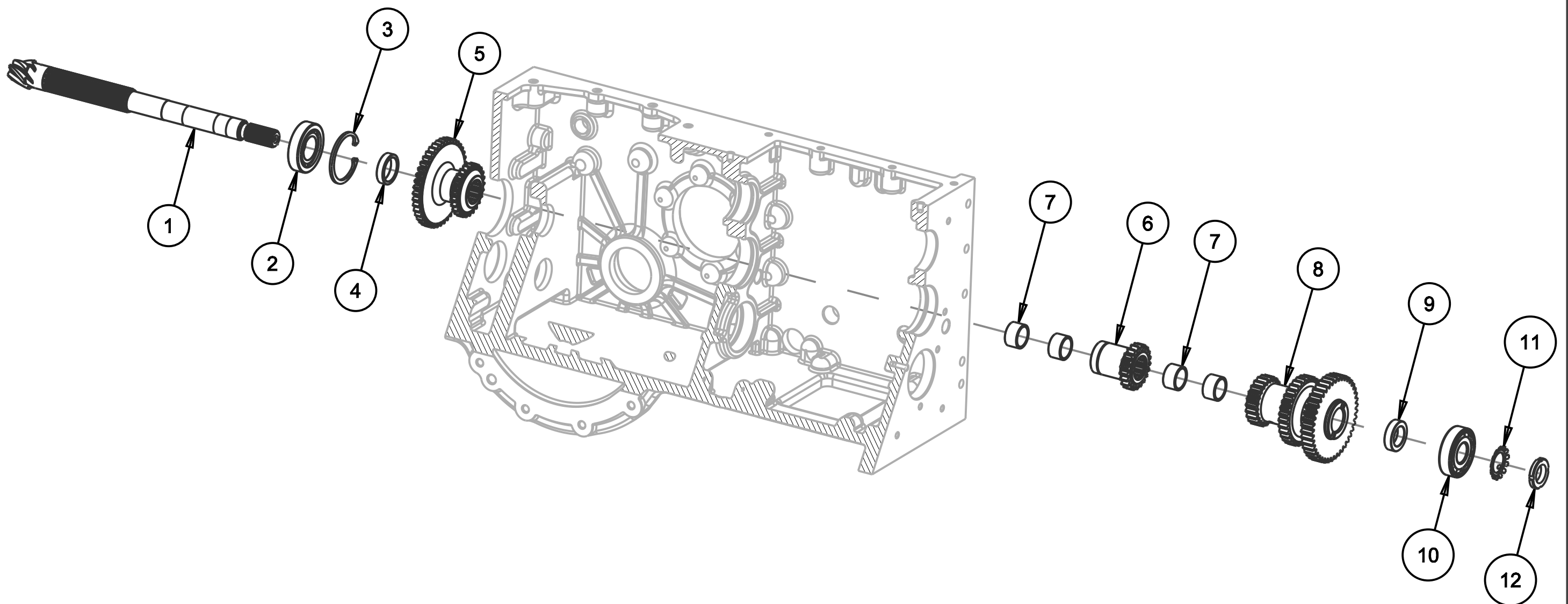
SR. NO.	PART NO.	DESCRIPTION	QTY.	REMARKS
1	11202345	CASE, TRANSMISSION	1	
2	11202397	GASKET, PLATE BOTTOM	1	
3	11203114	PLATE, BOTTOM	1	
4	11500430	COPPER WASHER Ø21XØ26X1.5	2	
5	11200121	DRAIN PLUG MAGNETIC	1	
6	11500052	SPRING WASHER - 8mm	6	
7	11500580	HEX. BOLT M8 X 30 (F.T.)	4	
8	11201458	PIN, DOWEL Ø11X25	4	
9	11200119	PIN, DOWEL Ø8 X 16	2	
10	11205020	GUIDE PLATE - LEVER GEAR SHIFTING	1	
11	11205327	NIPPLE 1/2" BSP X 13/16" UN	1	
12	11500157	Allen Bolt M8x25 (F.T.)	2	



DIFFERENTIAL CAGE ASSEMBLY

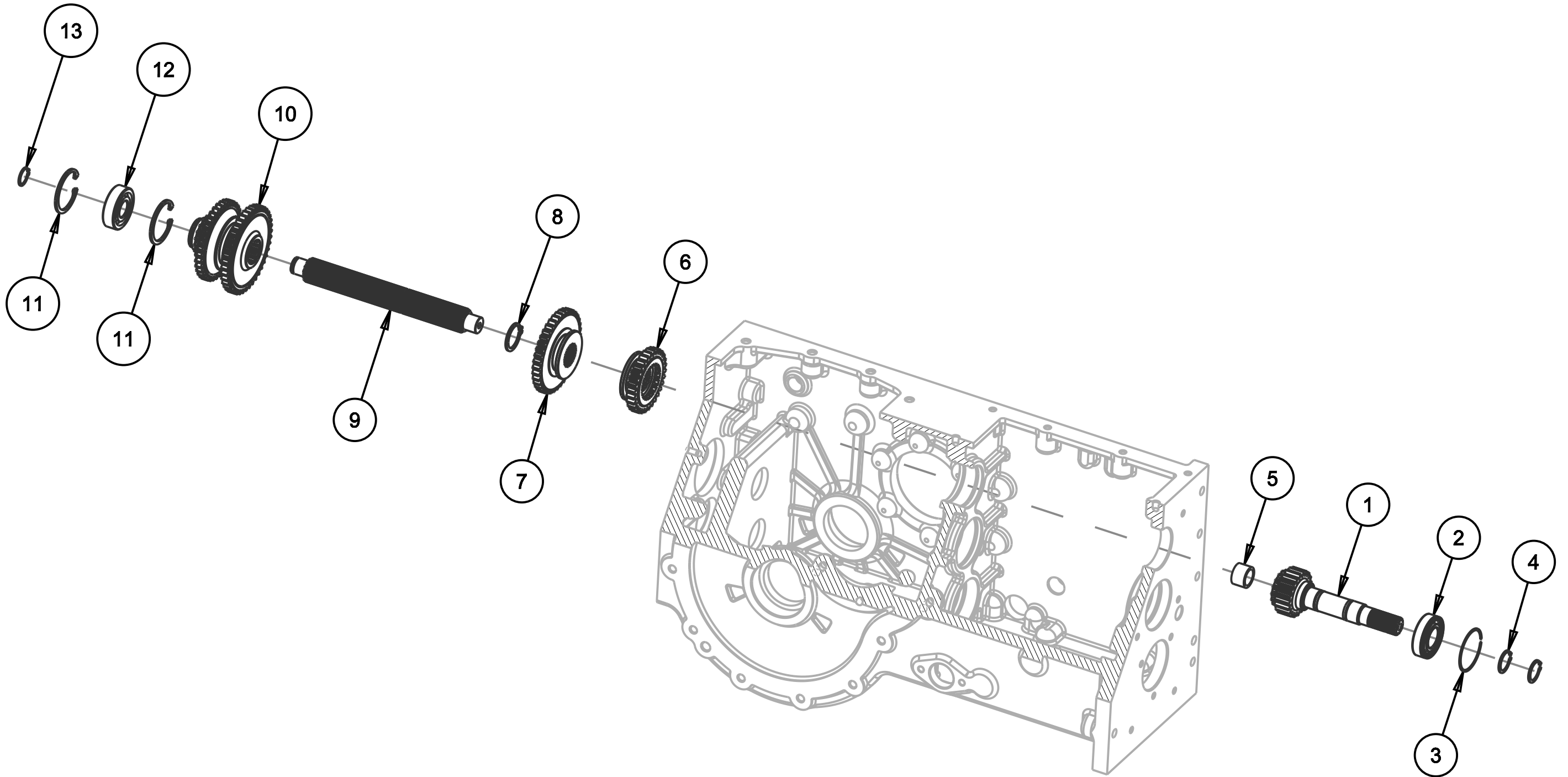
MODEL :- 263, 283, 283 NT
ASSY. NO.:-11305554

SR. NO.	PART NO.	DESCRIPTION	QTY.	REMARKS
1	11202411	CAGE, DIFFERENTIAL	1	
2	11301276	CROWN-PINION SET 6X35	1	
3	11203112	FLANGE,BEARING LH	1	
4	11203113	FLANGE,BEARING RH	1	
5	11202393	BEVEL GEAR 10 T	2	
6	11202394	BEVEL GEAR 16 T	2	
7	11202412	SHAFT, BEVEL GEAR 10T	1	
8	11202462	LOCK WASHER , CROWN WHEEL	4	
9	11500052	SPRING WASHER - 8mm	8	
10	11500062	SPRING WASHER 10 mm	7	
11	11500156	HEX. BOLT M10X25 (F.T.)	7	
12	11501450	CSK BOLT M10 X 25	5	
13	11502409	SLOTTED SPRING PIN Ø6 x 60	1	
14	11502519	BALL BEARING 6010	2	
15	11505602	HEX. BOLT M8X20 (F.T) 10.9 GRADE	8	
16	11202463	SHIM, FLANGE BEARING (0.15)	6	QTY:- AR
17	11203298	SHIM, FLANGE BEARING (0.20)	6	QTY:- AR
18	11202464	SHIM, FLANGE BEARING (0.50)	6	QTY:- AR
19	11202415	SHIM, BEVEL GEAR 10T (0.15)	2	QTY:- AR
20	11205065	SHIM, BEVEL GEAR 10T (0.20)	2	QTY:- AR
21	11202416	SHIM, BEVEL GEAR 10T (0.50)	2	QTY:- AR
22	11202413	SHIM, BEVEL GEAR 16T (0.15)	2	QTY:- AR
23	11205066	SHIM, BEVEL GEAR 16T (0.20)	2	QTY:- AR
24	11202414	SHIM, BEVEL GEAR 16T (0.50)	2	QTY:- AR



PINION SHAFT ASSEMBLY

MODEL :- 263, 283, 283 NT			ASSY. NO.:-11305586	
SR. NO.	PART NO.	DESCRIPTION	QTY.	REMARKS
1	11301276	CROWN-PINION SET 6X35	1	
2	11501566	TAPPER ROLLER BEARING 30206	1	
3	11502528	CIRCLIP, INTERNAL Ø62X3.00	1	
4	11202421	COLLER WASHER Ø 38.1XØ 30X9	1	
5	11202366	GEAR , COUNTER M-L (2700 RPM)	1	
6	11202365	GEAR, COUNTER H (2700 RPM)	1	
7	11502521	NEEDLE BEARING K Ø25XØ30X17	4	
8	11202362	GEAR COUNTER	1	
9	11202422	SPACER FOR PINION SHAFT (Ø 38.1XØ 25X10)	1	
10	11501462	TAPER ROLLER BEARING 30305	1	
11	11203101	LOCKING WASHER (Ø 25.9)	1	
12	11203102	RING NUT M25x1.5P	1	

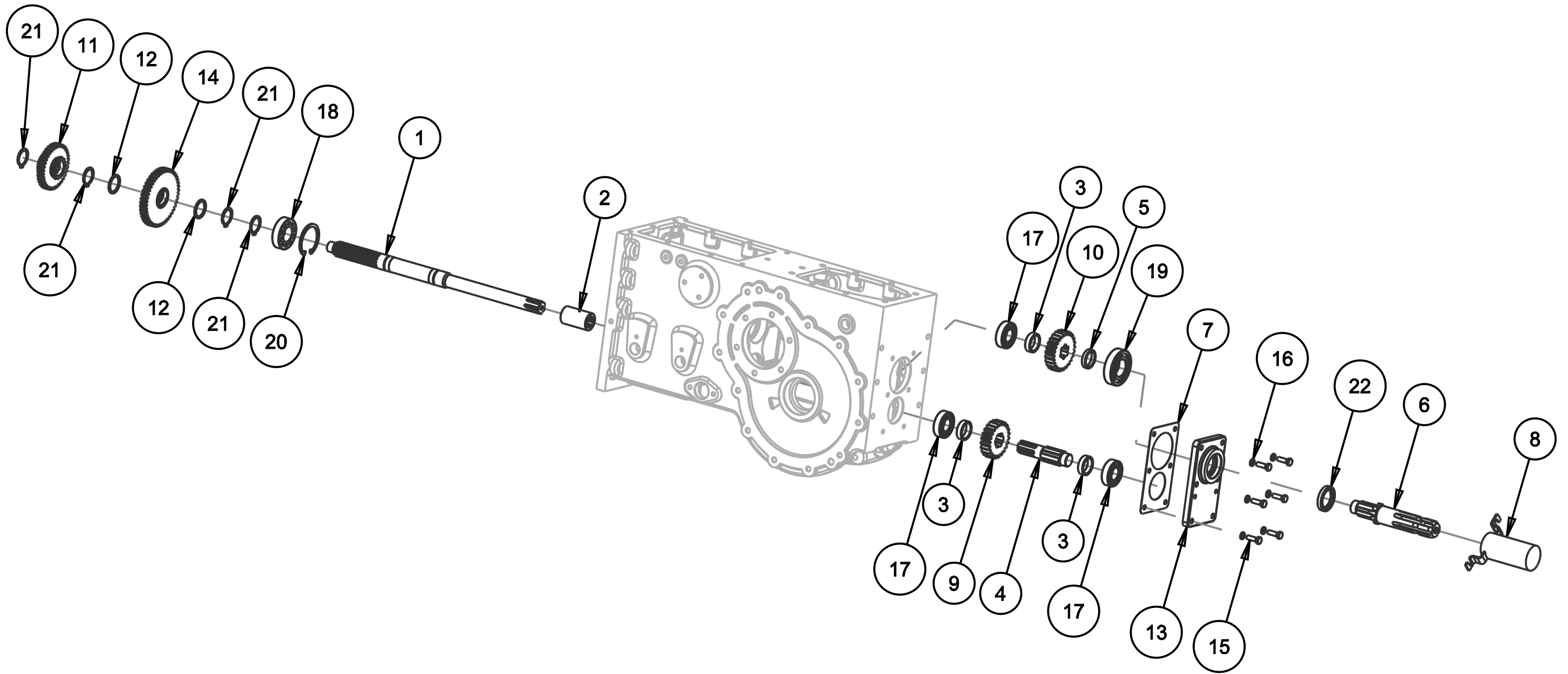


MAIN SHAFT ASSEMBLY

MODEL :- 263, 283, 283 NT

ASSY. NO.:-11305582

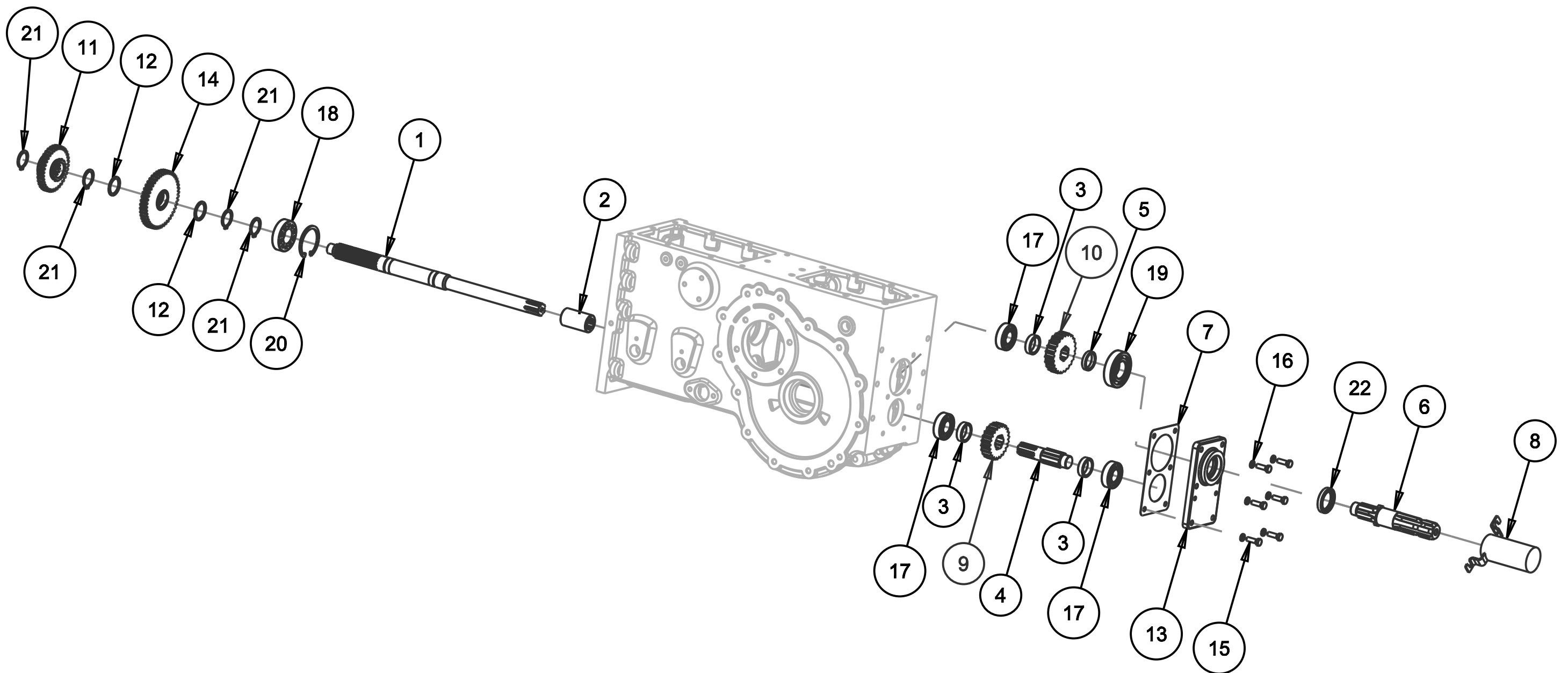
SR. NO.	PART NO.	DESCRIPTION	QTY.	REMARKS
1	11202356	DRIVING SHAFT (21T)	1	
2	11502520	BALL BEARING 6205-N	1	
3	11503039	BEARING LOCK FOR 6205 N	1	
4	11501451	CIRCLIP, EXTERNAL Ø25x1.2	2	
5	11502522	NEEDLE BEARING K Ø20XØ26X17	1	
6	11202357	GEAR (30T)	1	
7	11202358	GEAR (40 T)	1	
8	11503052	CIRCLIP, EXTERNAL Ø30X2.00	1	
9	11202374	MAIN SHAFT	1	
10	11202360	GEAR H-M-L (2700 RPM)	1	
11	11502530	CIRCLIP, INTERNAL Ø52X2.50	2	
12	11502518	BALL BEARING 6304	1	
13	11501064	CIRCLIP EXTERNAL Ø20X1.2	1	



PTO SHAFT ASSEMBLY

MODEL :- 263
ASSY. NO.:-11305589

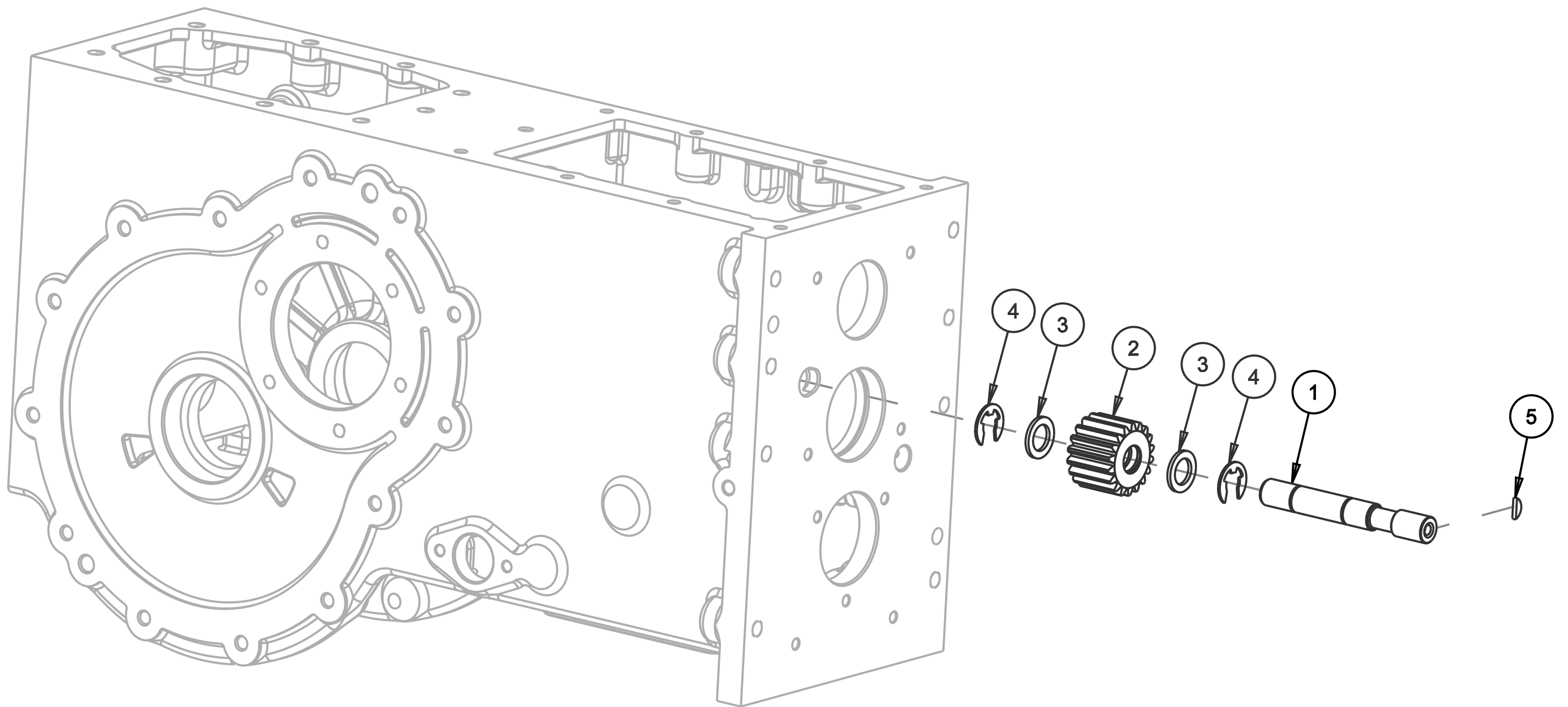
SR. NO.	PART NO.	DESCRIPTION	QTY.	REMARKS
1	11202375	SHAFT, PTO	1	
2	11201335	COLLAR	1	
3	11201336	DISTANCE (Ø30.1xØ38x11.5)	3	
4	11201337	SHAFT, PTO IDLE GEAR	1	
5	11201339	DISTANCE (Ø30.1xØ38x8.5)	1	
6	11201342	SHAFT PTO	1	
7	11201343	GASKET, PTO COVER	1	
8	11201488	COVER, PTO SHAFT	1	
9	11201619	GEAR, PTO 23T	1	
10	11201620	GEAR PTO 25T	1	
11	11202372	GEAR (35 T)	1	
12	11202424	WASHER (P.T.O.) Ø38 X Ø30.5 X 2	2	
13	11204957	COVER PTO	1	
14	11302373	GEAR PTO (45T)	1	
15	11500051	HEX. BOLT M8 X 25 (F.T.)	6	
16	11500052	SPRING WASHER - 8mm	6	
17	11500164	BALL BEARING 6205	3	
18	11501118	BALL BEARING 6206	1	
19	11501463	BALL BEARING 6207	1	
20	11502528	CIRCLIP, INTERNAL Ø62X3.00	1	
21	11503052	CIRCLIP, EXTERNAL Ø30X2.00	4	
22	11504958	OIL SEAL 35X50X8	1	



PTO SHAFT ASSEMBLY

MODEL :- 283, 283 NT
ASSY. NO.:-11305649

SR. NO.	PART NO.	DESCRIPTION	QTY.	REMARKS
1	11202375	SHAFT, PTO	1	
2	11201335	COLLAR	1	
3	11201336	DISTANCE (Ø30.1xØ38x11.5)	3	
4	11201337	SHAFT, PTO IDLE GEAR	1	
5	11201339	DISTANCE (Ø30.1xØ38x8.5)	1	
6	11201342	SHAFT PTO	1	
7	11201343	GASKET, PTO COVER	1	
8	11201488	COVER, PTO SHAFT	1	
9	11201338	GEAR PTO IDLE	1	
10	11201340	GEAR PTO	1	
11	11202372	GEAR (35 T)	1	
12	11202424	WASHER (P.T.O.) Ø38 X Ø30.5 X 2	2	
13	11204957	COVER PTO	1	
14	11302373	GEAR PTO (45T)	1	
15	11500051	HEX. BOLT M8 X 25 (F.T.)	6	
16	11500052	SPRING WASHER - 8mm	6	
17	11500164	BALL BEARING 6205	3	
18	11501118	BALL BEARING 6206	1	
19	11501463	BALL BEARING 6207	1	
20	11502528	CIRCLIP, INTERNAL Ø62X3.00	1	
21	11503052	CIRCLIP, EXTERNAL Ø30X2.00	4	
22	11504958	OIL SEAL 35X50X8	1	



REVERSE GEAR ASSEMBLY

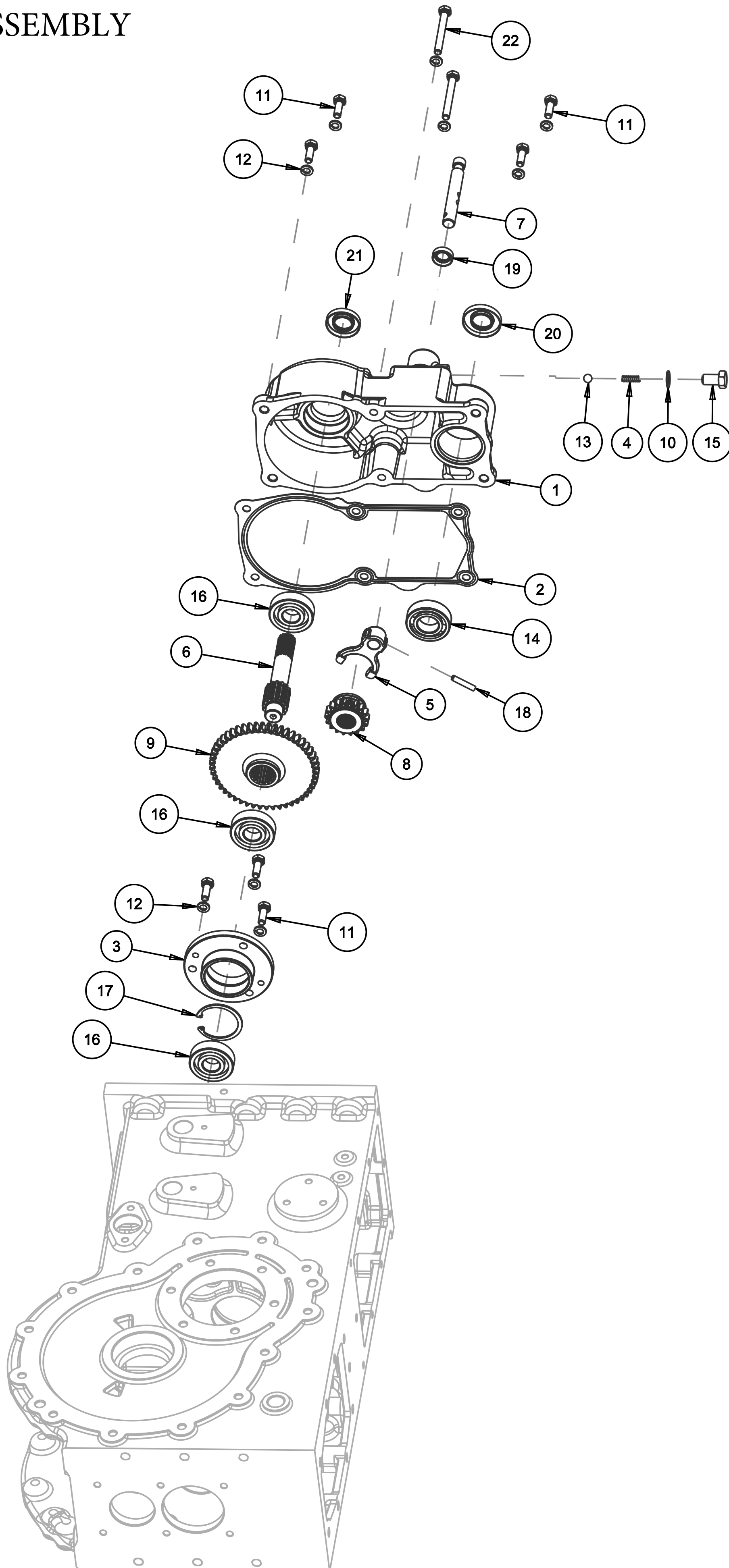
MODEL :- 263, 283, 283 NT

ASSY. NO.:-11305591

SR. NO.	PART NO.	DESCRIPTION	QTY.	REMARKS
1	11202506	SHAFT, REVERSE GEAR	1	
2	11302361	GEAR REVERSE (18T)	1	
3	11202534	WASHER - REVERSE GEAR Ø18XØ28X2.5	2	
4	11503225	CIRCLIP EXTERNAL E-15	2	
5	11200127	KEY, REVERSE GEAR	1	

INPUT SHAFT & 4WD SHAFT ASSEMBLY

MODEL - 263

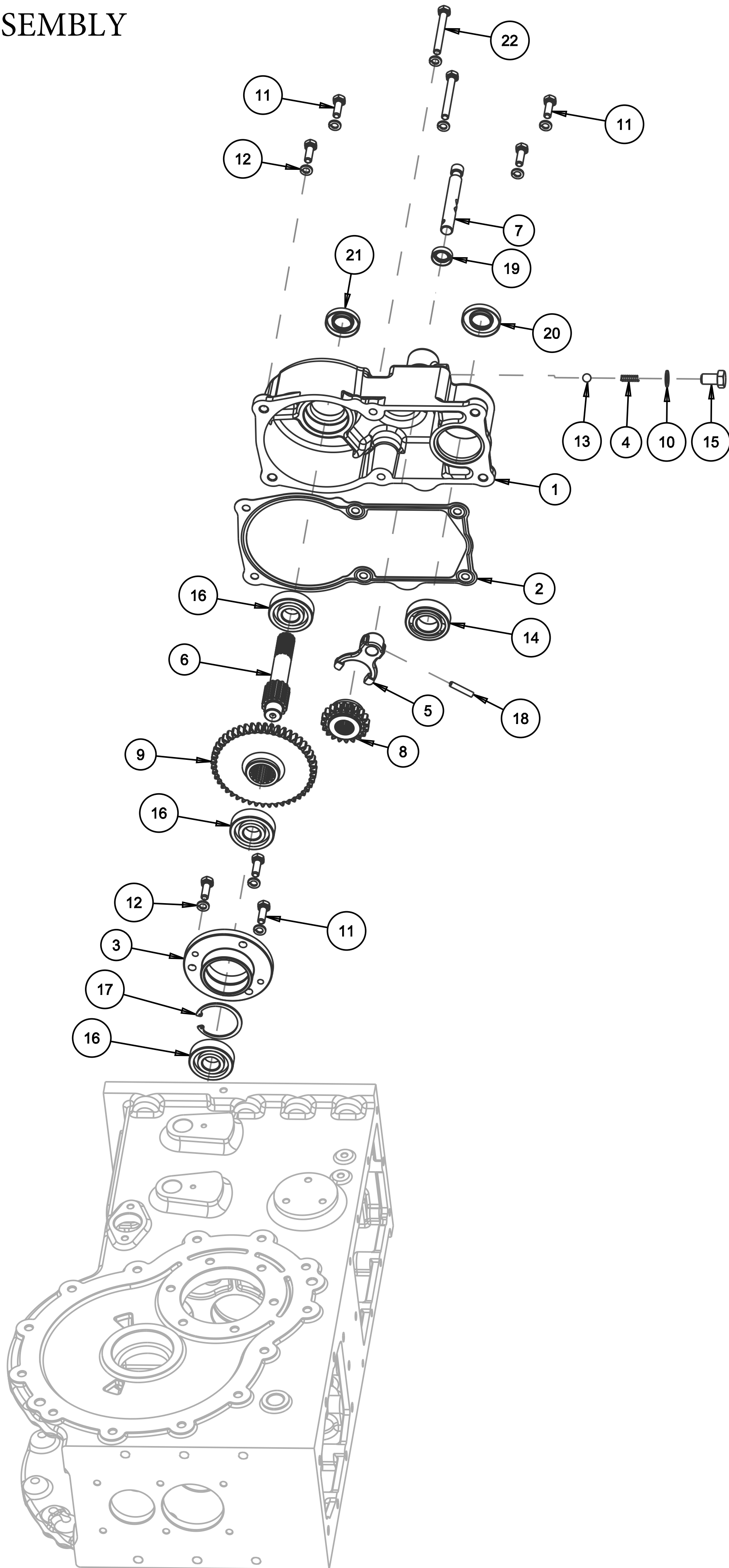


INPUT SHAFT & 4WD SHAFT ASSEMBLY
MODEL :- 263
ASSY. NO.:-11305581

SR. NO.	PART NO.	DESCRIPTION	QTY.	REMARKS
1	11202346	HOLDER BEARING (4WD)	1	
2	11202396	GASKET, HOLDER BEARING	1	
3	11202387	BEARING CUP	1	
4	11200191	SPRING, LENGTH -22	1	
5	11202354	FORK, 4WD	1	
6	11202371	DRIVE SHAFT 4WD (14T)	1	
7	11203124	RAIL SHAFT, 4WD	1	
8	11204665	GEAR, 4WD (18-T)	1	
9	11204667	GEAR,4WD (50-T)	1	
10	11500007	COPPER WASHER Ø12xØ19x1.5	1	QTY:- AR
11	11500051	HEX. BOLT M8 X 25 (F.T.)	7	
12	11500052	SPRING WASHER - 8mm	9	
13	11500089	BALL - Ø3/8"	1	
14	11500164	BALL BEARING 6205	1	
15	11500192	HEX BOLT-(SP. TYPE) M12 X 20	1	
16	11502518	BALL BEARING 6304	3	
17	11502529	CIRCLIP, INTERNAL Ø52X2.00	1	
18	11502531	SLOTTED SPRING PIN Ø6X30	1	
19	11502538	OIL SEAL Ø14xØ24x7	1	
20	11502539	OIL SEAL Ø22xØ45x7	1	
21	11502984	OIL SEAL Ø40XØ20X7	1	
22	11505132	HEX. BOLT M8 X 70 (H.T.)	2	

INPUT SHAFT & 4WD SHAFT ASSEMBLY

MODEL - 283

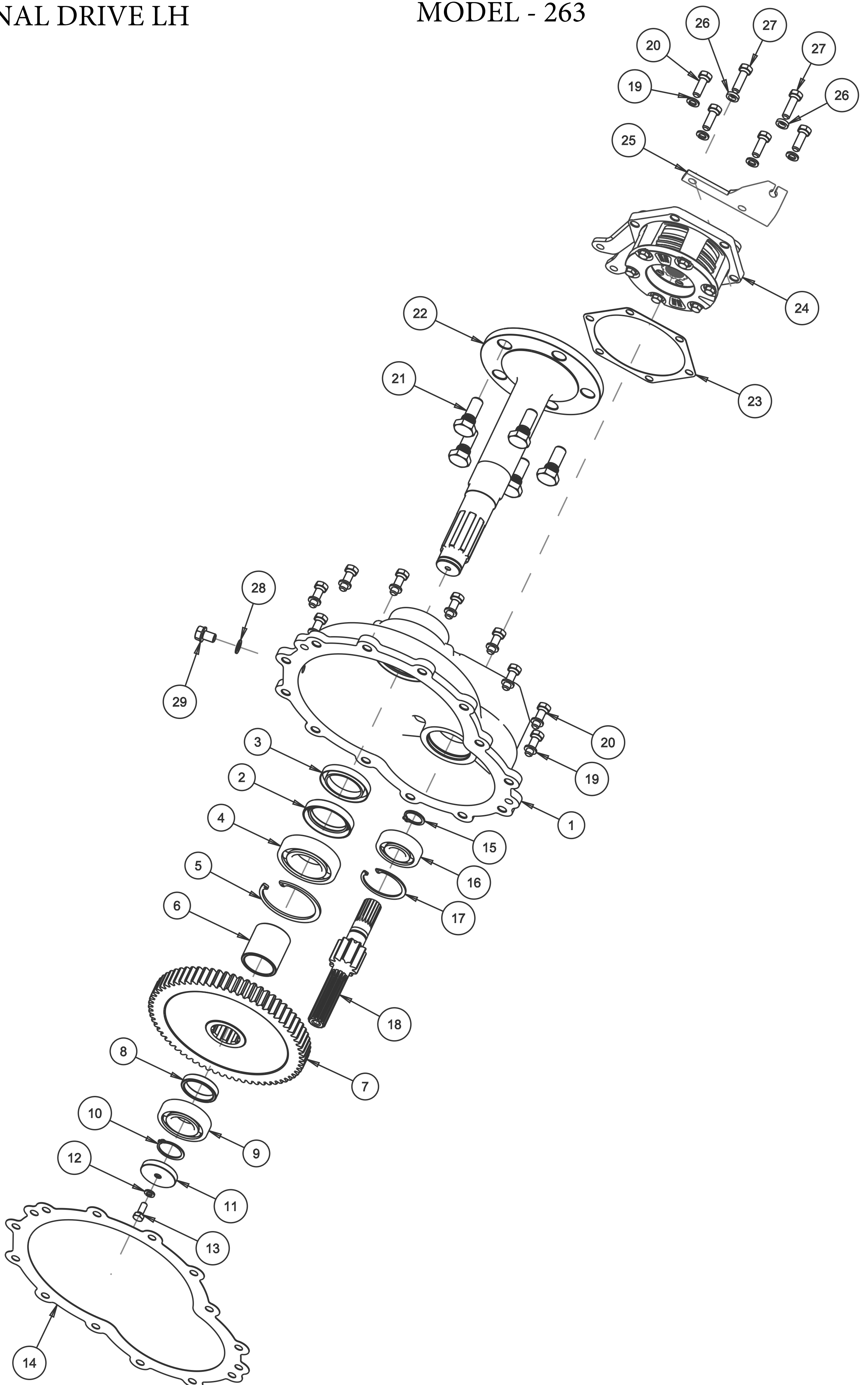


INPUT SHAFT & 4WD SHAFT ASSEMBLY
MODEL :- 283, 283 NT
ASSY. NO.:-11305650

SR. NO.	PART NO.	DESCRIPTION	QTY.	REMARKS
1	11202346	HOLDER BEARING (4WD)	1	
2	11202396	GASKET, HOLDER BEARING	1	
3	11202387	BEARING CUP	1	
4	11200191	SPRING, LENGTH -22	1	
5	11202354	FORK, 4WD	1	
6	11202371	DRIVE SHAFT 4WD (14T)	1	
7	11203124	RAIL SHAFT, 4WD	1	
8	11204664	GEAR, 4WD (20-T)	1	
9	11204666	GEAR, 4WD (48-T)	1	
10	11500007	COPPER WASHER Ø12xØ19x1.5	1	QTY:- AR
11	11500051	HEX. BOLT M8 X 25 (F.T.)	7	
12	11500052	SPRING WASHER - 8mm	9	
13	11500089	BALL - Ø3/8"	1	
14	11500164	BALL BEARING 6205	1	
15	11500192	HEX BOLT-(SP. TYPE) M12 X 20	1	
16	11502518	BALL BEARING 6304	3	
17	11502529	CIRCLIP, INTERNAL Ø52X2.00	1	
18	11502531	SLOTTED SPRING PIN Ø6X30	1	
19	11502538	OIL SEAL Ø14xØ24x7	1	
20	11502539	OIL SEAL Ø22xØ45x7	1	
21	11502984	OIL SEAL Ø40XØ20X7	1	
22	11505132	HEX. BOLT M8 X 70 (H.T.)	2	

FINAL DRIVE LH

MODEL - 263

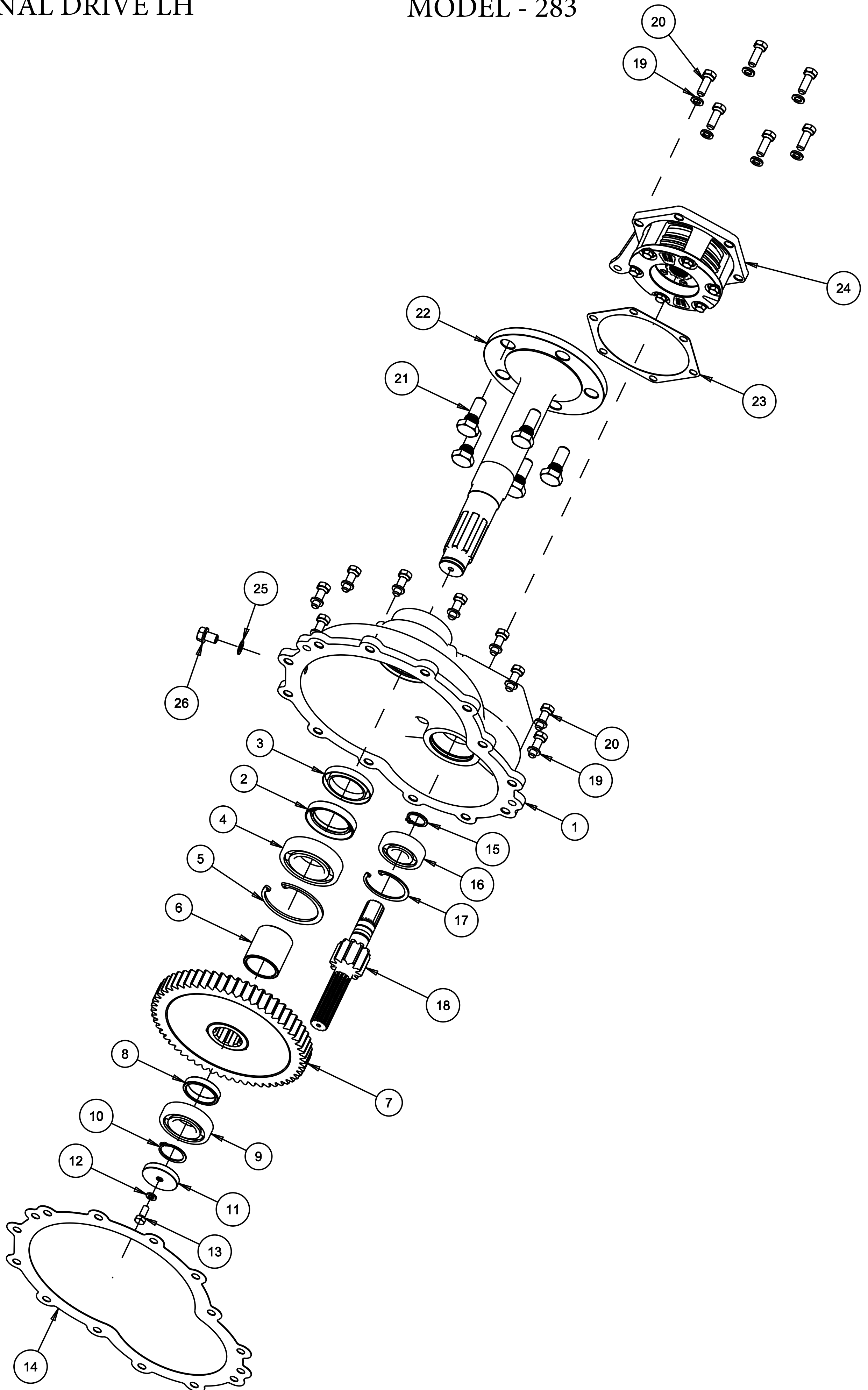


FINAL DRIVE LH
MODEL :- 263
ASSY. NO.:-11305563

SR. NO.	PART NO.	DESCRIPTION	QTY.	REMARKS
1	11202348	CASE, REAR AXLE LH	1	
2	11501471	OIL SEAL (Ø70 X Ø50 X 12)	1	
3	11503198	OIL SEAL Ø70xØ50x10	1	
4	11501464	BALL BEARING 6209	1	
5	11501457	CIRCLIP, INTERNAL Ø85X3	1	
6	11203116	DISTANCE, (Ø42.1XØ50.8X53)	1	
7	11204669	GEAR, BULL (67-T)	1	
8	11203117	DISTANCE, (Ø42.1xØ51x10)	1	
9	11501463	BALL BEARING 6207	1	
10	11501456	CIRCLIP, EXTERNAL (Ø35X1.5)	1	
11	11201367	DISTANCE, REAR AXLE	1	
12	11500052	SPRING WASHER - 8mm	1	
13	11500067	HEX. BOLT M8X20 (F.T)	1	
14	11202398	GASKET CASE REAR AXLE	1	
15	11503273	CIRCLIP EXTERNAL Ø25X2	1	
16	11501466	BALL BEARING 6305	1	
17	11501126	CIRCLIP, INTERNAL Ø62X2	1	
18	11204668	BULL SHAFT -3.25 (10-T)	1	
19	11500062	SPRING WASHER 10 mm	17	
20	11500232	HEX. BOLT M10 X 30 (F.T.)	17	
21	11202777	BOLT, REAR AXLE	5	
22	11204946	SHAFT, REAR AXLE (352)	1	
23	11203155	GASKET, BRAKE ASSMBLY (OIB)	1	
24	11405496	WET BRAKE LH	1	
25	11205400	BRACKET - BRAKE CABLE LH	1	
26	11205502	WASHER, BRACKET BRAKE CABLE	2	
27	11500979	HEX. BOLT M10x35 (H.T.) 10.9	2	
28	11500007	COPPER WASHER Ø12xØ19x1.5	1	
29	11504997	DRAIN PLUG (M12x1.5x16)	1	

FINAL DRIVE LH

MODEL - 283

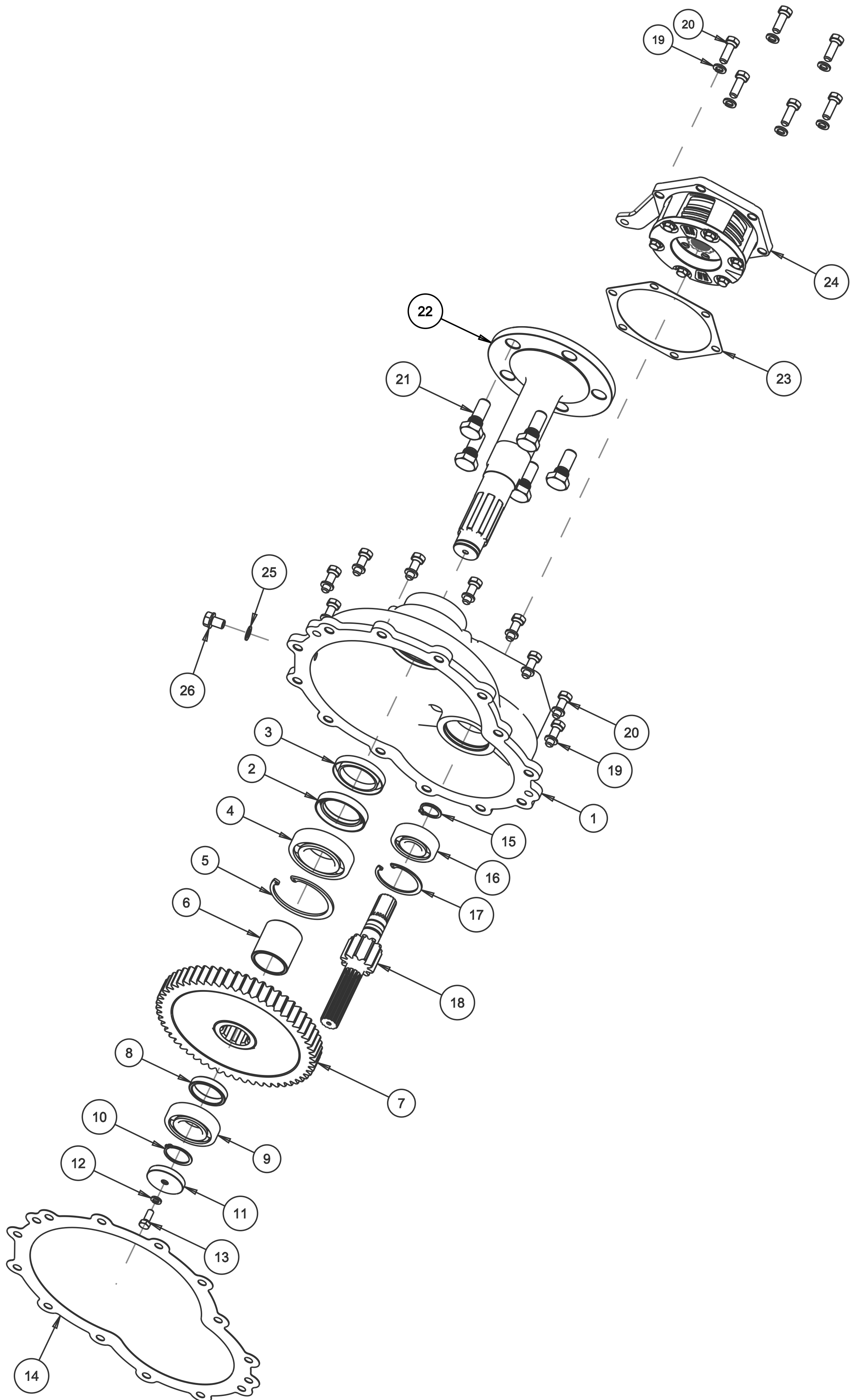


FINAL DRIVE LH
MODEL :- 283
ASSY. NO.:-11305651

SR. NO.	PART NO.	DESCRIPTION	QTY.	REMARKS
1	11202348	CASE, REAR AXLE LH	1	
2	11501471	OIL SEAL (Ø70 X Ø50 X 12)	1	
3	11503198	OIL SEAL Ø70xØ50x10	1	
4	11501464	BALL BEARING 6209	1	
5	11501457	CIRCLIP, INTERNAL Ø85X3	1	
6	11203116	DISTANCE, (Ø42.1XØ50.8X53)	1	
7	11202377	GEAR, BULL (57 T)	1	
8	11203117	DISTANCE, (Ø42.1xØ51x10)	1	
9	11501463	BALL BEARING 6207	1	
10	11501456	CIRCLIP, EXTERNAL (Ø35X1.5)	1	
11	11201367	DISTANCE, REAR AXLE	1	
12	11500052	SPRING WASHER - 8mm	1	
13	11500067	HEX. BOLT M8X20 (F.T)	1	
14	11202398	GASKET CASE REAR AXLE	1	
15	11503273	CIRCLIP EXTERNAL Ø25X2	1	
16	11501466	BALL BEARING 6305	1	
17	11501126	CIRCLIP, INTERNAL Ø62X2	1	
18	11202378	BULL SHAFT (10-T)	1	
19	11500062	SPRING WASHER 10 mm	19	
20	11500232	HEX. BOLT M10 X 30 (F.T.)	19	
21	11202777	BOLT, REAR AXLE	5	
22	11204946	SHAFT, REAR AXLE (352)	1	
23	11203155	GASKET, BRAKE ASSMBLY (OIB)	1	
24	11302385	WET BRAKE ASSEMBLY (LH) OIB (4 INCH)	1	
25	11500007	COPPER WASHER Ø12xØ19x1.5	1	
26	11504997	DRAIN PLUG (M12x1.5x16)	1	

FINAL DRIVE LH

MODEL - 283 - NT

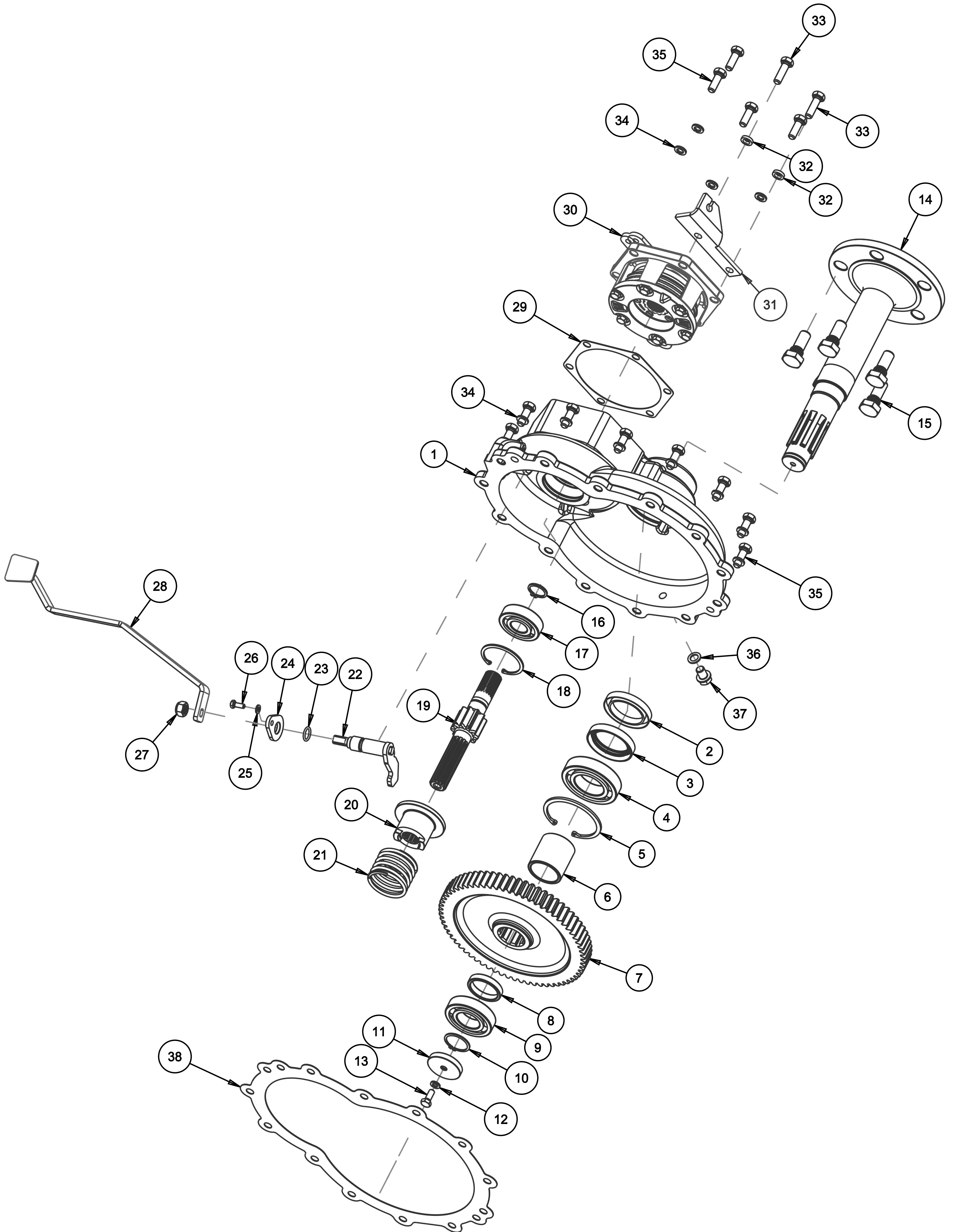


FINAL DRIVE LH
MODEL :- 283 NT
ASSY. NO.:-11305728

SR. NO.	PART NO.	DESCRIPTION	QTY.	REMARKS
1	11202348	CASE, REAR AXLE LH	1	
2	11501471	OIL SEAL (Ø70 X Ø50 X 12)	1	
3	11503198	OIL SEAL Ø70xØ50x10	1	
4	11501464	BALL BEARING 6209	1	
5	11501457	CIRCLIP, INTERNAL Ø85X3	1	
6	11203116	DISTANCE, (Ø42.1XØ50.8X53)	1	
7	11202377	GEAR, BULL (57 T)	1	
8	11203117	DISTANCE, (Ø42.1xØ51x10)	1	
9	11501463	BALL BEARING 6207	1	
10	11501456	CIRCLIP, EXTERNAL (Ø35X1.5)	1	
11	11201367	DISTANCE, REAR AXLE	1	
12	11500052	SPRING WASHER - 8mm	1	
13	11500067	HEX. BOLT M8X20 (F.T)	1	
14	11202398	GASKET CASE REAR AXLE	1	
15	11503273	CIRCLIP EXTERNAL Ø25X2	1	
16	11501466	BALL BEARING 6305	1	
17	11501126	CIRCLIP, INTERNAL Ø62X2	1	
18	11202378	BULL SHAFT (10-T)	1	
19	11500062	SPRING WASHER 10 mm	19	
20	11500232	HEX. BOLT M10 X 30 (F.T.)	19	
21	11202777	BOLT, REAR AXLE	5	
22	11203115	SHAFT, REAR AXLE (312)	1	
23	11203155	GASKET, BRAKE ASSMBLY (OIB)	1	
24	11302385	WET BRAKE ASSEMBLY (LH) OIB (4 INCH)	1	
25	11500007	COPPER WASHER Ø12xØ19x1.5	1	
26	11504997	DRAIN PLUG (M12x1.5x16)	1	

FINAL DRIVE RH

MODEL - 263

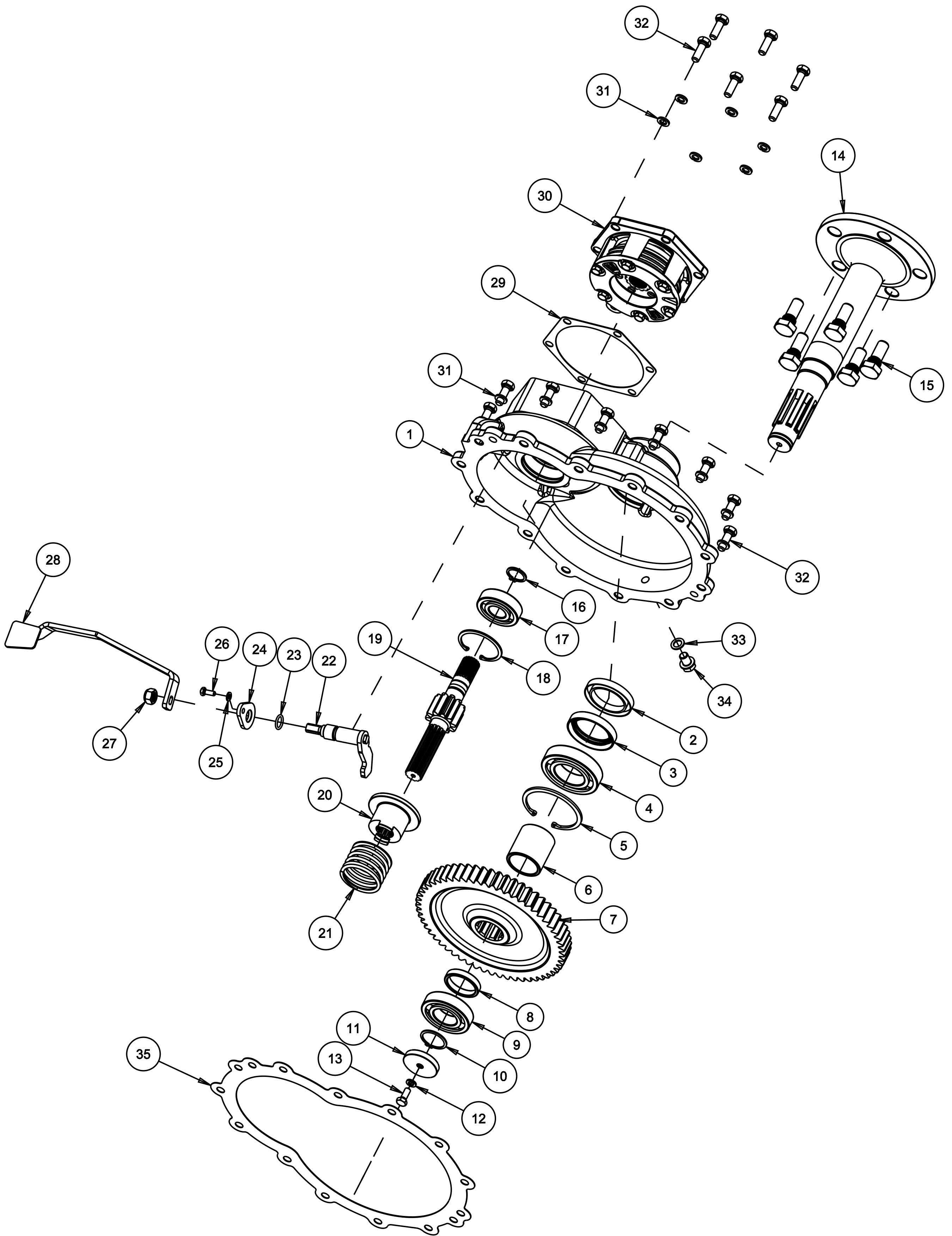


FINAL DRIVE RH
MODEL :- 263
ASSY. NO.:-11305564

SR. NO.	PART NO.	DESCRIPTION	QTY.	REMARKS
1	11202347	CASE, REAR AXLE RH	1	
2	11503198	OIL SEAL Ø70xØ50x10	1	
3	11501471	OIL SEAL (Ø70 X Ø50 X 12)	1	
4	11501464	BALL BEARING 6209	1	
5	11501457	CIRCLIP, INTERNAL Ø85X3	1	
6	11203116	DISTANCE, (Ø42.1XØ50.8X53)	1	
7	11204669	GEAR, BULL (67-T)	1	
8	11203117	DISTANCE, (Ø42.1xØ51x10)	1	
9	11501463	BALL BEARING 6207	1	
10	11501456	CIRCLIP, EXTERNAL (Ø35X1.5)	1	
11	11201367	DISTANCE, REAR AXLE	1	
12	11500052	SPRING WASHER - 8mm	1	
13	11500067	HEX. BOLT M8X20 (F.T)	1	
14	11204946	SHAFT, REAR AXLE (352)	1	
15	11202777	BOLT, REAR AXLE	5	
16	11503273	CIRCLIP EXTERNAL Ø25X2	1	
17	11501466	BALL BEARING 6305	1	
18	11501126	CIRCLIP, INTERNAL Ø62X2	1	
19	11204668	BULL SHAFT -3.25 (10-T)	1	
20	11202380	DIFFERENTIAL LOCK	1	
21	11202814	SPRING, DIFFERENTIAL LOCK	1	
22	11202509	SHAFT, DIFFERENTIAL LOCK	1	
23	11504882	O-RING Ø15.54 x 2.62	1	
24	11202406	LOCK WASHER , DIFFERENTIAL LOCK	1	
25	11500073	SPRING WASHER - 6 mm	1	
26	11500071	HEX. BOLT M6x16	1	
27	11501024	NYLOCK HEX. NUT M12	1	
28	11205392	PEDAL - DIFFERENTIAL LOCK	1	
29	11203155	GASKET, BRAKE ASSMBLY (OIB)	1	
30	11405495	WET BRAKE RH	1	
31	11205401	BRACKET - BRAKE CABLE RH	1	
32	11205502	WASHER, BRACKET BRAKE CABLE	2	
33	11500979	HEX. BOLT M10x35 (H.T.) 10.9	2	
34	11500062	SPRING WASHER 10 mm	17	
35	11500232	HEX. BOLT M10 X 30 (F.T.)	17	
36	11500007	COPPER WASHER Ø12xØ19x1.5	1	
37	11504997	DRAIN PLUG (M12x1.5x16)	1	
38	11202398	GASKET CASE REAR AXLE	1	

FINAL DRIVE RH

MODEL- 283

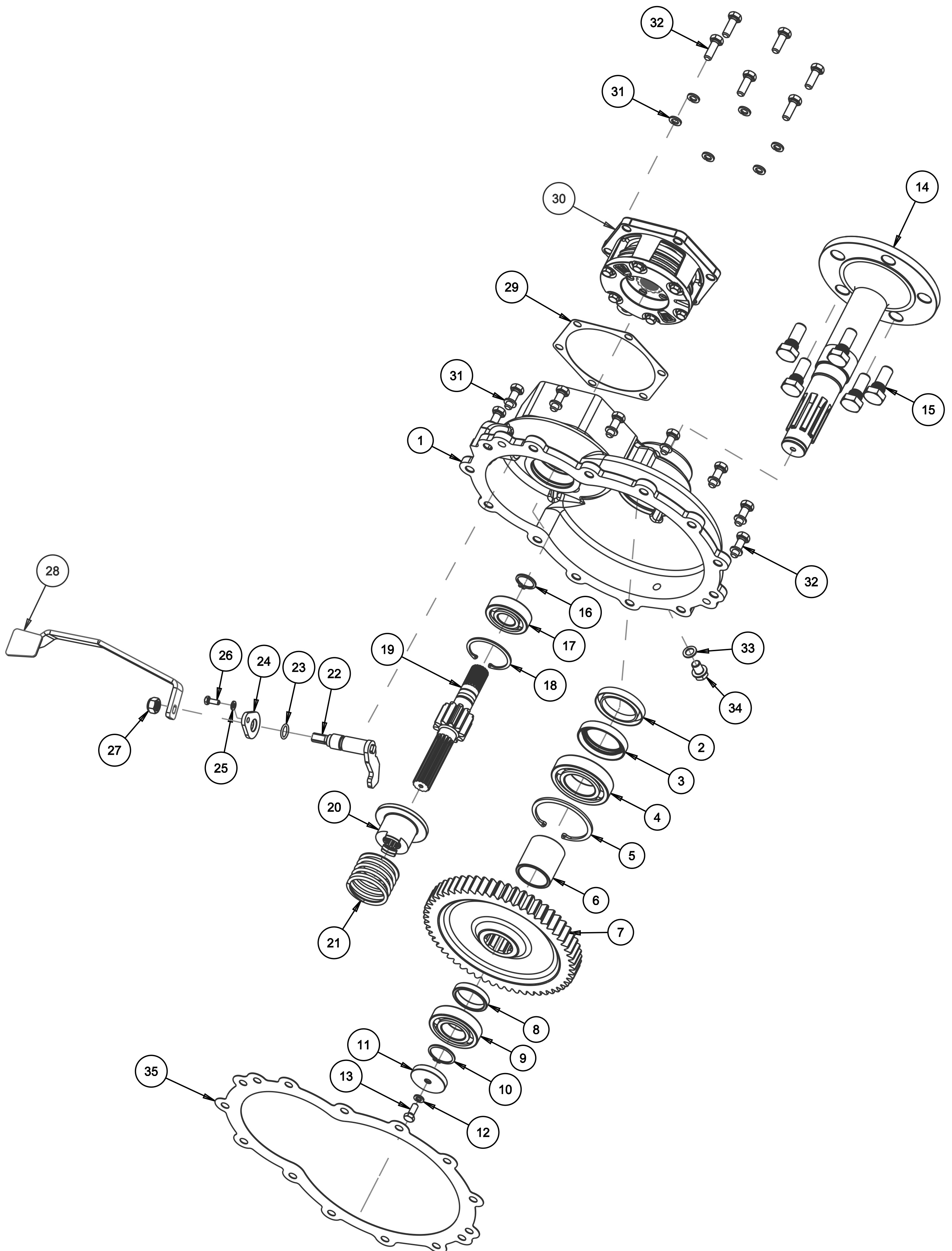


FINAL DRIVE RH
MODEL :- 283
ASSY. NO.:-11305652

SR. NO.	PART NO.	DESCRIPTION	QTY.	REMARKS
1	11202347	CASE, REAR AXLE RH	1	
2	11503198	OIL SEAL Ø70xØ50x10	1	
3	11501471	OIL SEAL (Ø70 X Ø50 X 12)	1	
4	11501464	BALL BEARING 6209	1	
5	11501457	CIRCLIP, INTERNAL Ø85X3	1	
6	11203116	DISTANCE, (Ø42.1XØ50.8X53)	1	
7	11202377	GEAR, BULL (57 T)	1	
8	11203117	DISTANCE, (Ø42.1xØ51x10)	1	
9	11501463	BALL BEARING 6207	1	
10	11501456	CIRCLIP, EXTERNAL (Ø35X1.5)	1	
11	11201367	DISTANCE, REAR AXLE	1	
12	11500052	SPRING WASHER - 8mm	1	
13	11500067	HEX. BOLT M8X20 (F.T)	1	
14	11204946	SHAFT, REAR AXLE (352)	1	
15	11202777	BOLT, REAR AXLE	5	
16	11503273	CIRCLIP EXTERNAL Ø25X2	1	
17	11501466	BALL BEARING 6305	1	
18	11501126	CIRCLIP, INTERNAL Ø62X2	1	
19	11202378	BULL SHAFT (10-T)	1	
20	11202380	DIFFERENTIAL LOCK	1	
21	11202814	SPRING, DIFFERENTIAL LOCK	1	
22	11202509	SHAFT, DIFFERENTIAL LOCK	1	
23	11504882	O-RING Ø15.54 x 2.62	1	
24	11202406	LOCK WASHER , DIFFERENTIAL LOCK	1	
25	11500073	SPRING WASHER - 6 mm	1	
26	11500071	HEX. BOLT M6x16	1	
27	11501024	NYLOCK HEX. NUT M12	1	
28	11203118	PEDAL, DIFFERENTIAL LOCK	1	
29	11203155	GASKET, BRAKE ASSMBLY (OIB)	1	
30	11302384	WET BRAKE ASSEMBLY (RH) OIB (4 INCH)	1	
31	11500062	SPRING WASHER 10 mm	19	
32	11500232	HEX. BOLT M10 X 30 (F.T.)	19	
33	11500007	COPPER WASHER Ø12xØ19x1.5	1	
34	11504997	DRAIN PLUG (M12x1.5x16)	1	
35	11202398	GASKET CASE REAR AXLE	1	

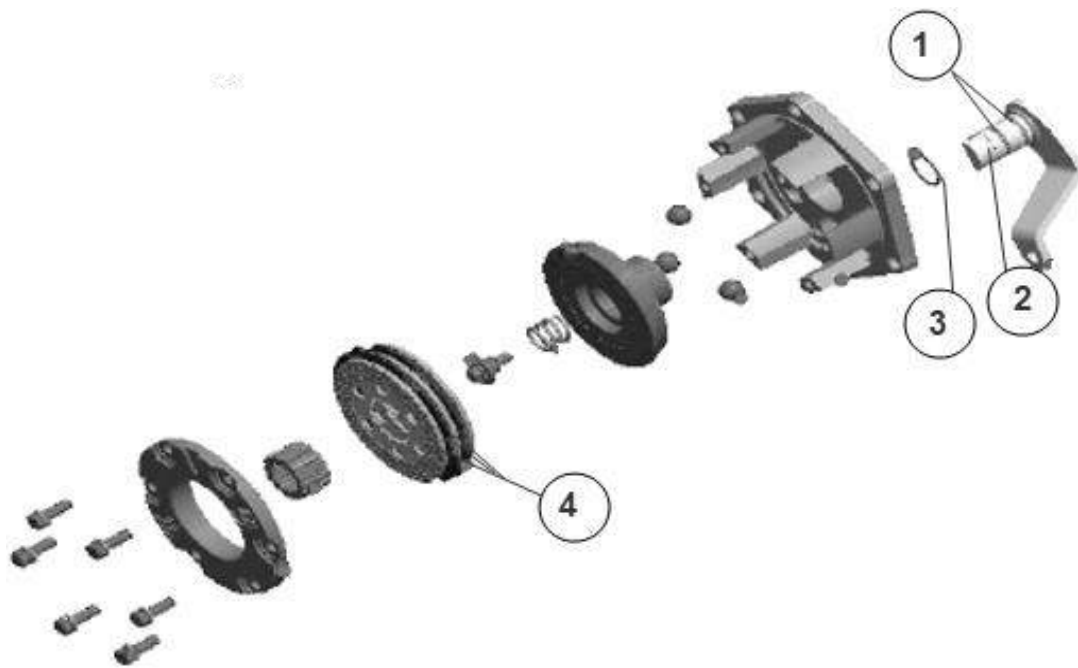
FINAL DRIVE RH

MODEL - 283 - NT

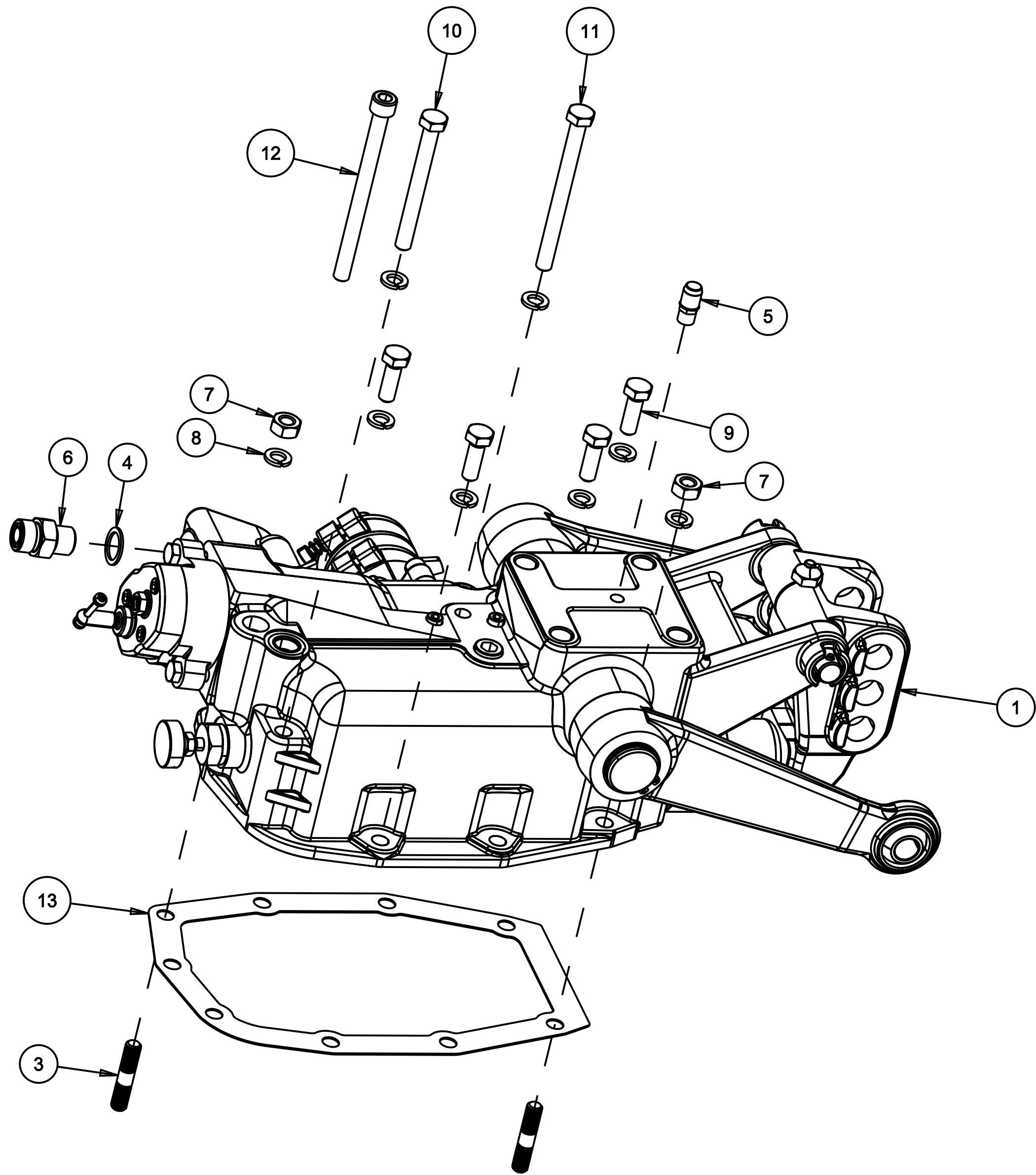


FINAL DRIVE RH
MODEL :- 283 NT
ASSY. NO.:-11305729

SR. NO.	PART NO.	DESCRIPTION	QTY.	REMARKS
1	11202347	CASE, REAR AXLE RH	1	
2	11503198	OIL SEAL Ø70xØ50x10	1	
3	11501471	OIL SEAL (Ø70 X Ø50 X 12)	1	
4	11501464	BALL BEARING 6209	1	
5	11501457	CIRCLIP, INTERNAL Ø85X3	1	
6	11203116	DISTANCE, (Ø42.1XØ50.8X53)	1	
7	11202377	GEAR, BULL (57 T)	1	
8	11203117	DISTANCE, (Ø42.1xØ51x10)	1	
9	11501463	BALL BEARING 6207	1	
10	11501456	CIRCLIP, EXTERNAL (Ø35X1.5)	1	
11	11201367	DISTANCE, REAR AXLE	1	
12	11500052	SPRING WASHER - 8mm	1	
13	11500067	HEX. BOLT M8X20 (F.T)	1	
14	11203115	SHAFT, REAR AXLE (312)	1	
15	11202777	BOLT, REAR AXLE	5	
16	11503273	CIRCLIP EXTERNAL Ø25X2	1	
17	11501466	BALL BEARING 6305	1	
18	11501126	CIRCLIP, INTERNAL Ø62X2	1	
19	11202378	BULL SHAFT (10-T)	1	
20	11202380	DIFFERENTIAL LOCK	1	
21	11202814	SPRING, DIFFERENTIAL LOCK	1	
22	11202509	SHAFT, DIFFERENTIAL LOCK	1	
23	11504882	O-RING Ø15.54 x 2.62	1	
24	11202406	LOCK WASHER , DIFFERENTIAL LOCK	1	
25	11500073	SPRING WASHER - 6 mm	1	
26	11500071	HEX. BOLT M6x16	1	
27	11501024	NYLOCK HEX. NUT M12	1	
28	11203118	PEDAL, DIFFERENTIAL LOCK	1	
29	11203155	GASKET, BRAKE ASSMBLY (OIB)	1	
30	11302384	WET BRAKE ASSEMBLY (RH) OIB (4 INCH)	1	
31	11500062	SPRING WASHER 10 mm	19	
32	11500232	HEX. BOLT M10 X 30 (F.T.)	19	
33	11500007	COPPER WASHER Ø12xØ19x1.5	1	
34	11504997	DRAIN PLUG (M12x1.5x16)	1	
35	11202398	GASKET CASE REAR AXLE	1	



WET BRAKE ASSEMBLY RH & LH				
MODEL :- 263, 283, 283 NT			ASSY. NO.:- 11305620	
SR. NO.	PART NO.	DESCRIPTION	QTY	REMARKS
1	11405603	O-RING	2	
2	11405604	O-RING	1	
3	11405606	SNAP RING	1	
4	11404802	FRICITION DISC	3	



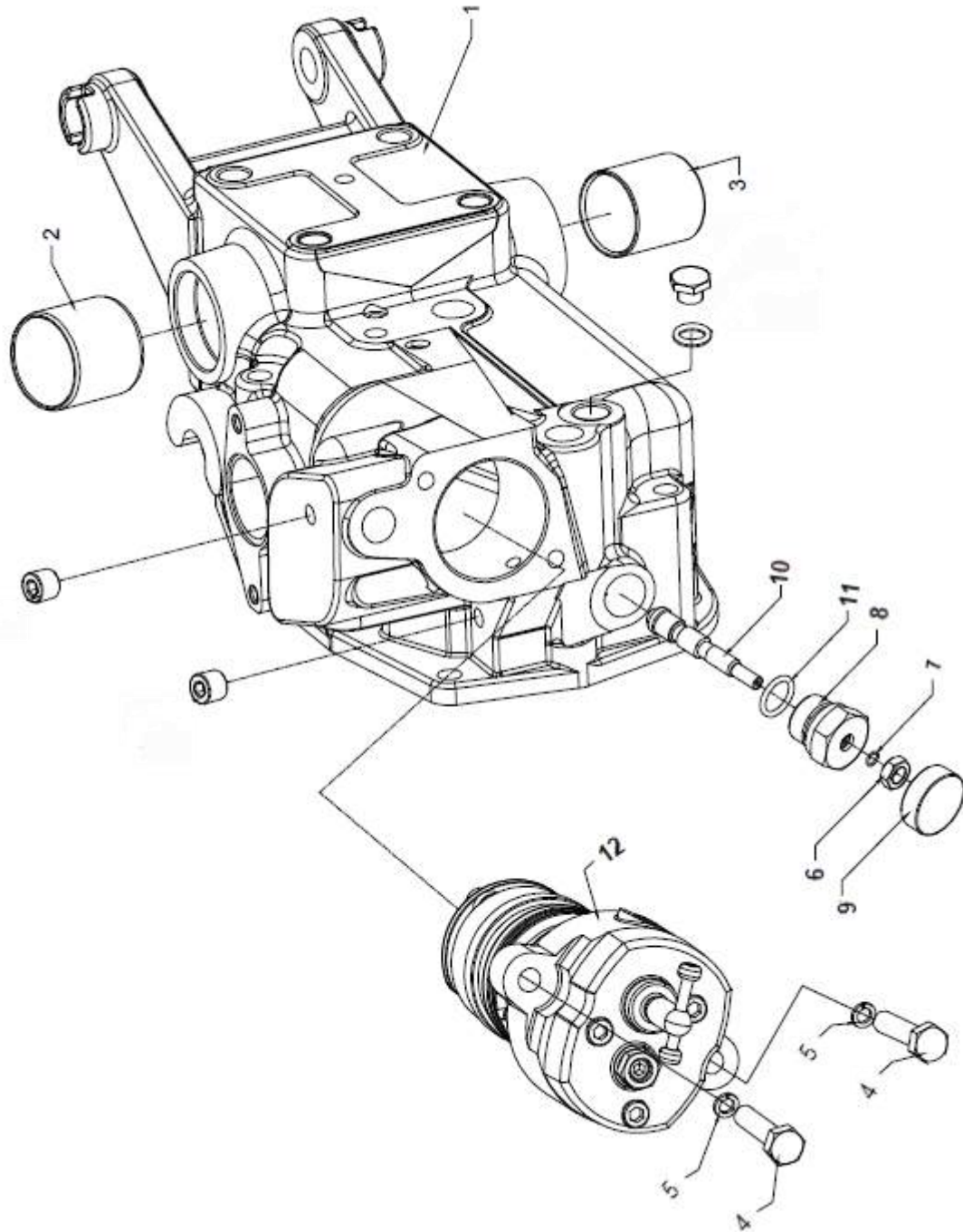
HYDRAULIC BODY ASSEMBLY

MODEL :- 263, 283, 283 NT

ASSY. NO.:-11305578

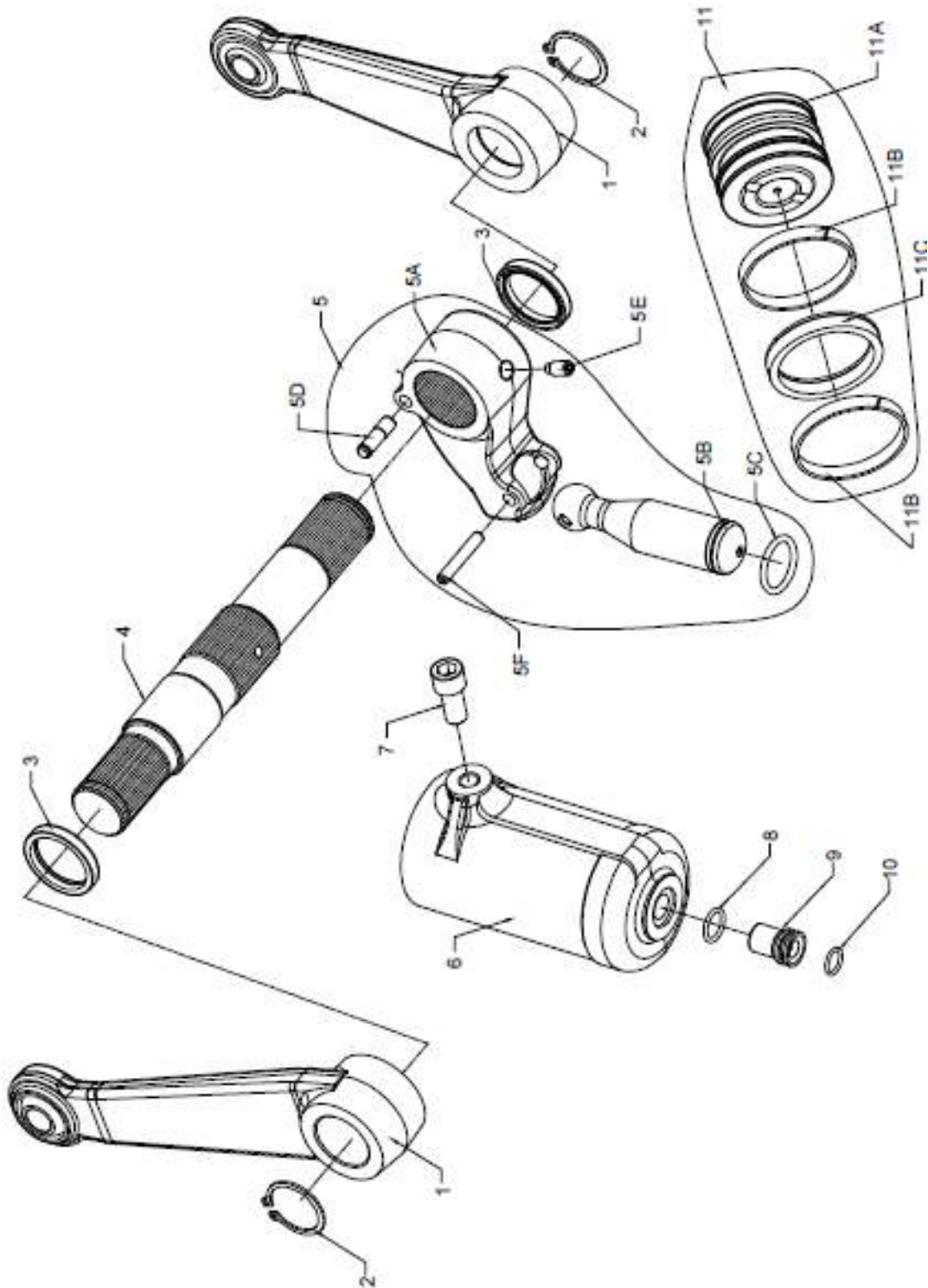
SR. NO.	PART NO.	DESCRIPTION	QTY.	REMARKS
1	11402484	HYDRAULIC ASSY. (MITA)	1	
3	11501571	STUD M10 X 30	2	
4	11502338	COPPER WASHER Ø18XØ24X1.5	1	
5	11203294	AIR BREATHER BOLT 1/8"-27 NTPF	1	
6	11205328	NIPPLE M18 x 13/16" UN	1	
7	11500024	HEX NUT M10	2	
8	11500062	SPRING WASHER - 10mm	8	
9	11500232	HEX. BOLT M10 X 30 (F.T.)	4	
10	11502535	HEX. BOLT (M10X95 10.9)	1	
11	11502536	HEX. BOLT M10 (M10X115-10.9)	1	
12	11502537	ALLEN BOLT M10 (M10X130-10.9)	1	
13	11202407	GASKET, HYD. UNIT	1	

HOUSING ASSEMBLY



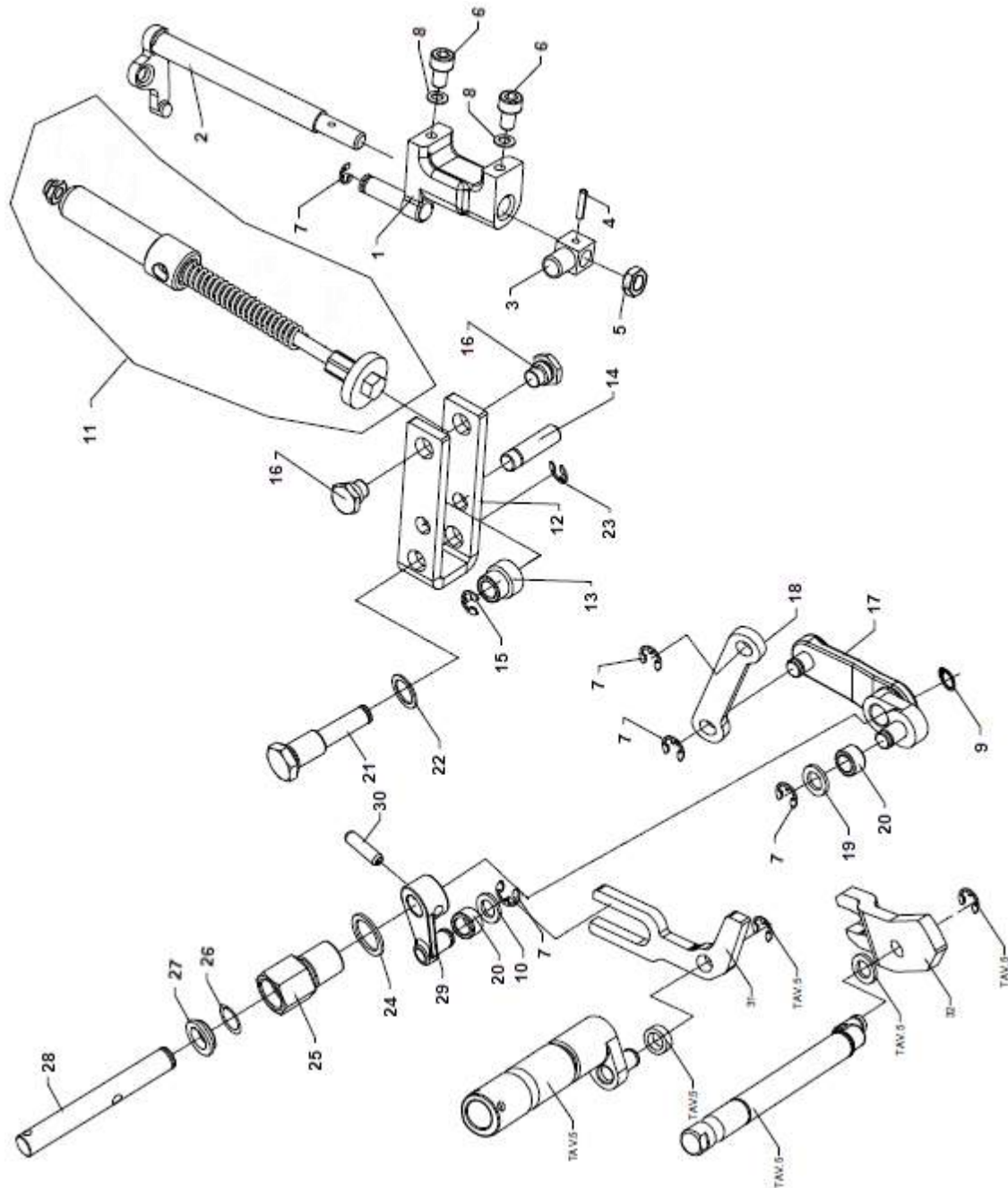
HOUSING ASSEMBLY				
MODEL :- 263, 283, 283 NT			ASSY. NO.:-11305578	
SR. NO.	PART NO.	DESCRIPTION	QTY	REMARKS
1	11405801	HOUSING ASSY POS, 1-2-3-4	1	
2	11405802	BRONZINA DU 44/40*40 BUSH	1	
3	11405803	BRONZINA BUSH	1	
4	11405804	SCREW M8x35 DIN 931-8G	2	
5	11405805	GROWER D=8.1 DIN7980-ZINC	2	
6	11405806	LOCK NUT	1	
7	11405807	O-RING D7.8 T1.78	1	
8	11405808	PLUG	1	
9	11405809	PRE-SELECTOR KNOB	1	
10	11405810	PRE-SELECTOR	1	
11	11405811	O-RING	1	
12	11405812	CONTROL VALVE ASSEMBLY	1	

CYLINDER ASSEMBLY



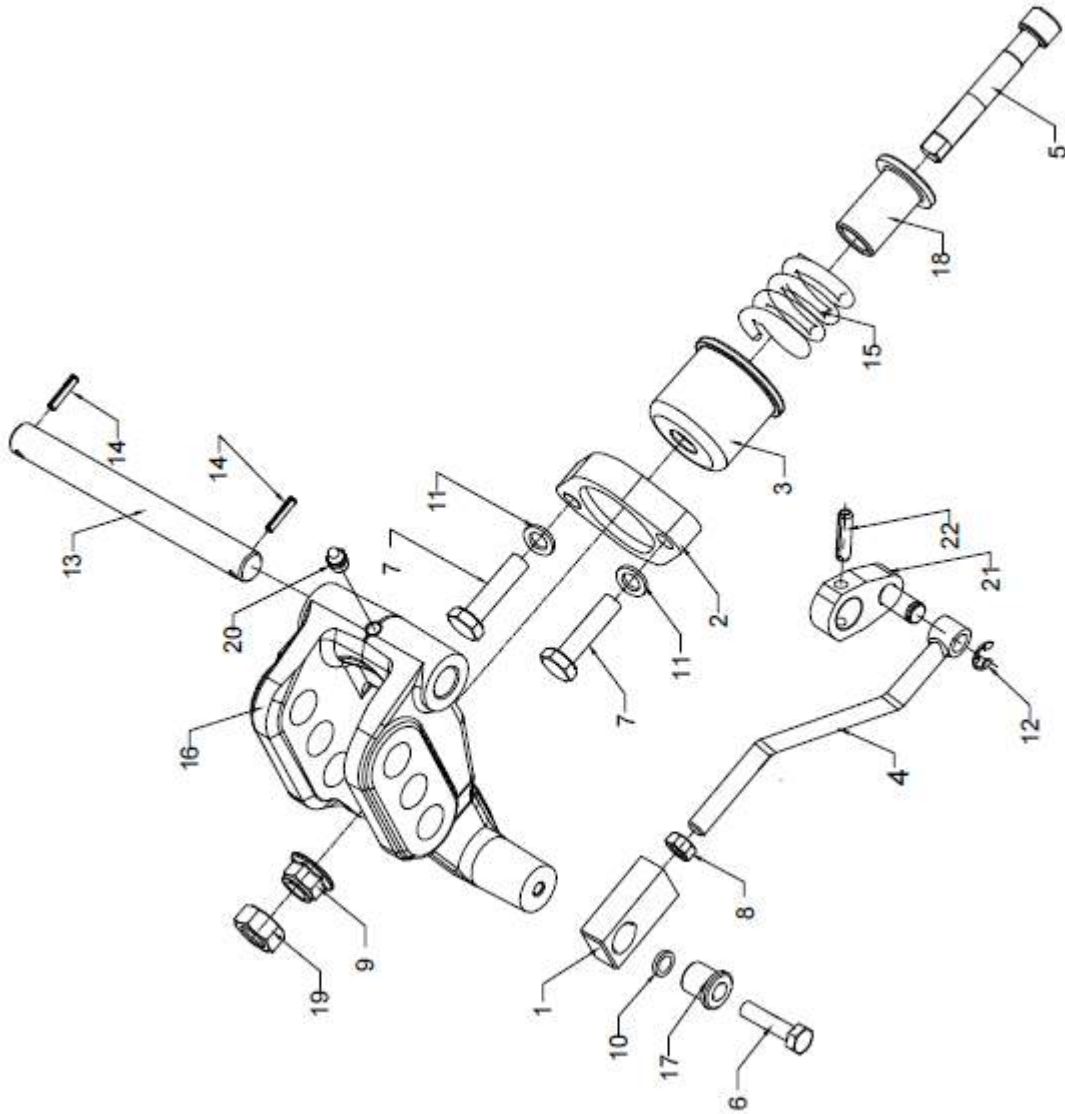
CYLINDER ASSEMBLY				
MODEL :- 263, 283, 283 NT			ASSY. NO.:-11305578	
SR. NO.	PART NO.	DESCRIPTION	QTY	REMARKS
1	11405813	ARM	2	
2	11405814	CIRCLIP E34 UNI 7435 90	2	
3	11405815	ARM SEAL 35/45x7	2	
4	11405816	MAIN SHAFT	1	
5	11405817	KIT CRANK	1	
5A	11405819	CRANK	1	
5B	11405820	CON ROD	1	
5C	11405821	O RING	1	
5D	11405834	PIN	1	
5E	11405835	GRUB SCREW M8x16	1	
5F	11405836	ELASTIC PIN 6x40	1	
6	11405818	CYLINDER	1	
7	11405837	ALEN BOLT M12x25	1	
8	11405838	O RING	1	
9	11405839	PLUG	1	
10	11405840	O RING	1	
11	11405841	KIT PISTON	1	
11A	11405842	PISTON	1	
11B	11405843	PISTON GUIDE RING	2	
11C	11405844	PISTON SEAL B2555216/1/D	1	

INTERNAL LEVER ASSEMBLY



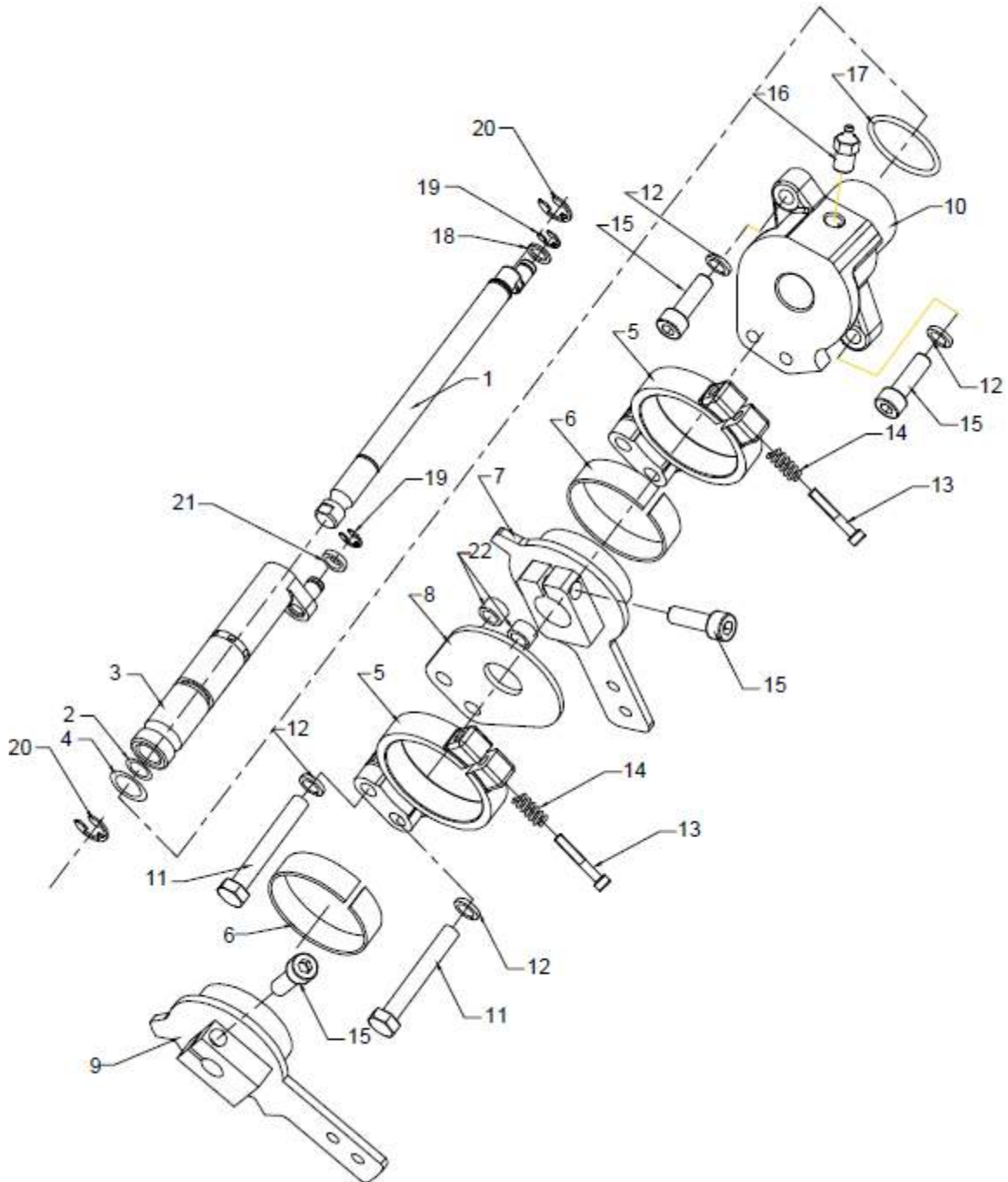
INTERNAL LEVER ASSEMBLY				
MODEL :- 263, 283, 283 NT			ASSY. NO.:-11305578	
SR. NO.	PART NO.	DESCRIPTION	QTY	REMARKS
1	11405845	LIMIT SWITCH SUPPORT WITH PIN	1	
2	11405846	LIMIT SWITCH LEVER	1	
3	11405847	PIN	1	
4	11405848	ELASTIC PIN DIA 3x14	1	
5	11405849	NUT M8	5	
6	11405850	ALLEN BOLT M6x16	2	
7	11405851	RADIAL CIRCLIP 6MM	5	
8	11405873	COPPER WASHER 6.4x10x1	2	
9	11405874	CIRCLIP	1	
10	11405875	PLAN WASHER	1	
11	11405876	PUSH ROD KIT	1	
12	11405852	LEVER	1	
13	11405853	WHEEL	1	
14	11405854	PIN	1	
15	11405855	RADIAL CIRCLIP 5MM	1	
16	11405856	SUPPORT PIN	2	
17	11405857	COMPENSATOR	1	
18	11405858	LINK	1	
19	11405859	COPPER WASHER 8.5x14x1.5	1	
20	11405860	ROLLER '8/12x7	1	
21	11405861	SUPPORT PIN	1	
22	11405862	COPPER WASHER 14.5/20x1	1	
23	11405863	RADIAL EXT. CIRCLIP	1	
24	11405864	WASHER	1	
25	11405865	SUPPORT PIN	1	
26	11405866	OR 11.91x2.62 sh80/90	1	
27	11405867	WASHER	1	
28	11405868	PIN	1	
29	11405869	LEVER WITH PIN	1	
30	11405870	ELASTIC PIN D4x24	1	
31	11405871	INTERNAL DRAFT LEVER	1	
32	11405872	LEVER	1	

TOP LINK BRACKET ASSEMBLY

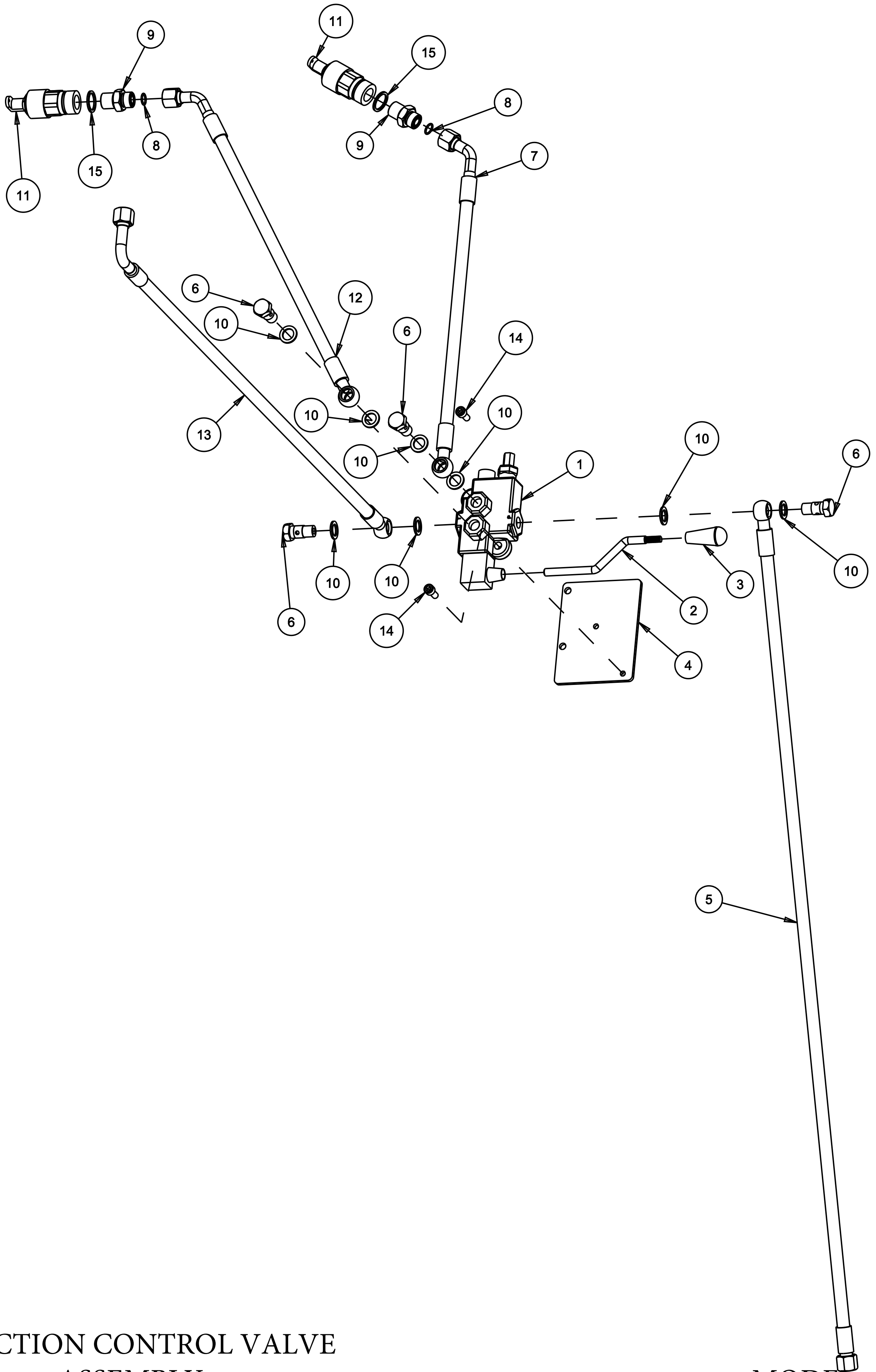


TOP LINK BRACKET ASSEMBLY				
MODEL :- 263, 283, 283 NT			ASSY. NO.:-11305578	
SR. NO.	PART NO.	DESCRIPTION	QTY	REMARKS
1	11405877	PLATE	1	
2	11405878	FLANGE	1	
3	11405879	COVER	1	
4	11405880	TIE ROD	1	
5	11405881	SCREW	1	
6	11405882	SCREW M8x35 DIN 931-8G	1	
7	11405883	SCREW M10x35 DIN 931-8G	2	
8	11405884	NUT M10 8G	1	
9	11405885	NUT M12	1	
10	11405886	GROWER D=8.1 DIN7980-ZINC	1	
11	11405887	GROWER D10.2 DIN 7980	2	
12	11405888	SEEGER RS D7 DIN 6799	1	
13	11405889	PIN	1	
14	11405890	ELASTIC PIN	2	
15	11405891	SPRING D24x46 FIELD D7.5	1	
16	11405892	BRACKET	1	
17	11405893	BUSH D8/20x19	1	
18	11405894	BUSH D12.5/35x42.5	1	
19	11405895	LOCK NUT	1	
20	11405896	GREASE NIPPLE	1	
21	11405897	CRANK WITH PIN	1	
22	11405898	ELASTIC PIN D4x24	1	

CONTROL LEVERS ASSEMBLY



CONTROL LEVERS ASSEMBLY				
MODEL :- 263, 283, 283 NT			ASSY. NO.:-11305578	
SR. NO.	PART NO.	DESCRIPTION	QTY	REMARKS
1	11405899	POSOTION SHAFT	1	
2	11405900	O-RING	1	
3	11405901	DRAFT TUBE	1	
4	11405902	O-RING	1	
5	11405903	CLUB HUB	2	
6	11405904	CLUTCH 50/53x13.5	2	
7	11405905	LEVER	1	
8	11405906	FLANGE	1	
9	11405907	CONTROL LEVER	1	
10	11405908	SUPPORT	1	
11	11405909	VITE M8x70 SCREW	2	
12	11405910	GROWER d=8.1 DIN 7980 Zn GROWER	4	
13	11405911	VITE M6x40 UNI5971 Zn 8.8 SCREW	2	
14	11405912	MOLLA FRIZIONE SPRING	2	
15	11405913	VITE M8x30 UNI5971 Zn 8.8 SCREW	4	
16	11405914	INGR. DIRITTO M10x1 FITTING	1	
17	11405915	O-RING	1	
18	11405916	PLAN WASHER	1	
19	11405917	RADIAL CIRCLIP 6MM	2	
20	11405918	SEEGER E12	2	
21	11405919	WASHER	1	
22	11405920	BUSH	2	

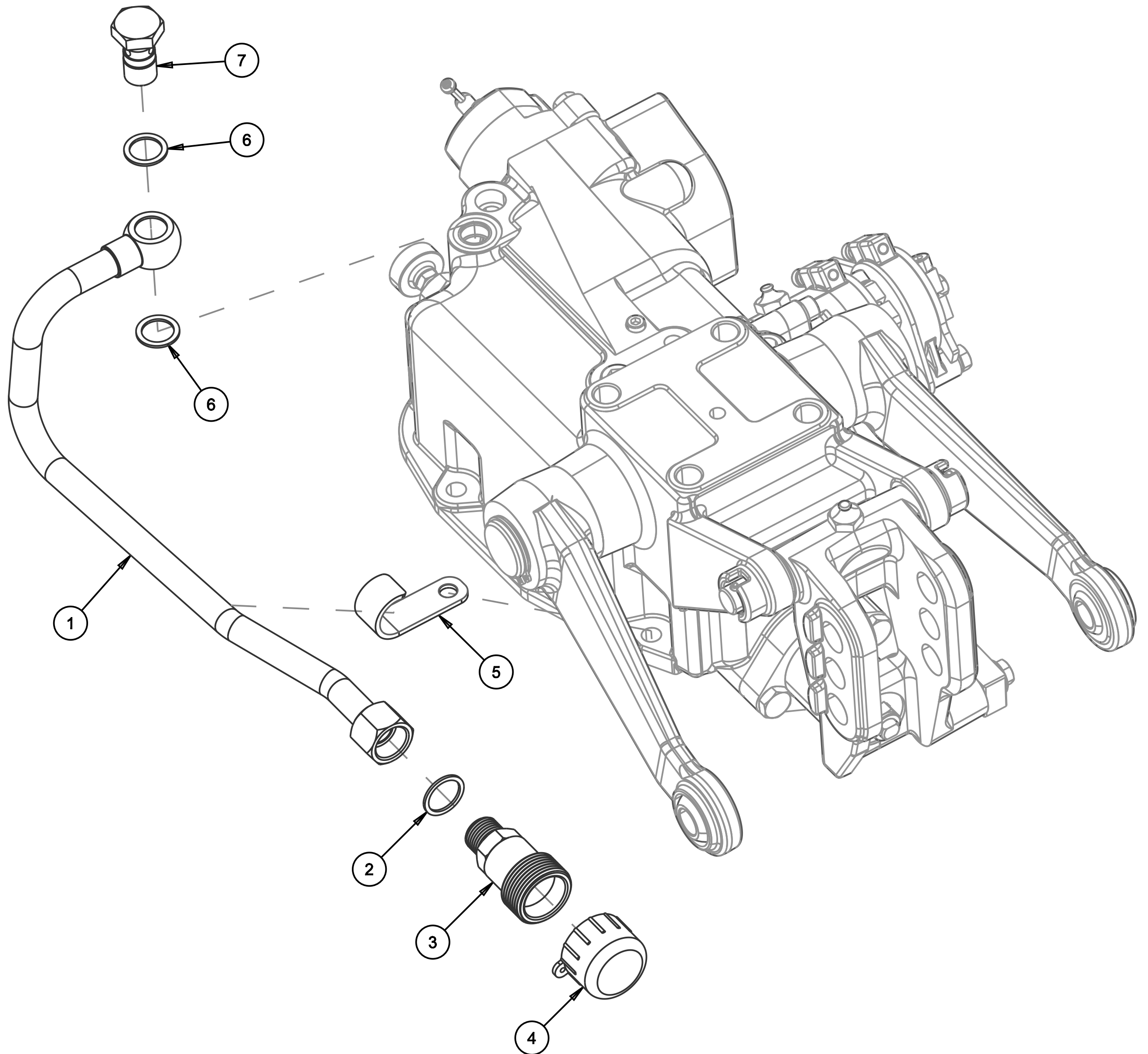


DIRECTION CONTROL VALVE
ASSEMBLY

MODEL - 263

DIRECTION CONTROL VALVE ASSEMBLY
MODEL :- 263
ASSY. NO.:-11305555

SR. NO.	PART NO.	DESCRIPTION	QTY.	REMARKS
1	11202328	HYDRAULIC DISTRIBUTOR VALVE (RETAIN TYPE)	1	
2	11205529	LEVER DISTRIBUTOR VALVE 1	1	
3	11205542	KNOB LEVER FOR DCV	1	
4	11205353	DCV MOUNTING BRACKET	1	
5	11205274	SECONDARY PIPE PUMP TO DCV	1	
6	11502336	BANJO BOLT 3/8	4	
7	11205273	PIPE(DCV TO QRC-1)	1	
8	11205329	O-RING 12.42X1.78	2	
9	11205327	NIPPLE 1/2" BSP X 13/16" UN	2	
10	11402783	DOWTY SEAL 3/8	8	
11	11202334	FEMALE QRC	2	
12	11205324	PIPE(DCV TO QRC-2)	1	
13	11205275	PIPE FROM DCV TO LIFT	1	
14	11500599	ALLEN BOLT M8x20 (F.T)	2	
15	21504542	DOWTY SEAL 1/2	2	



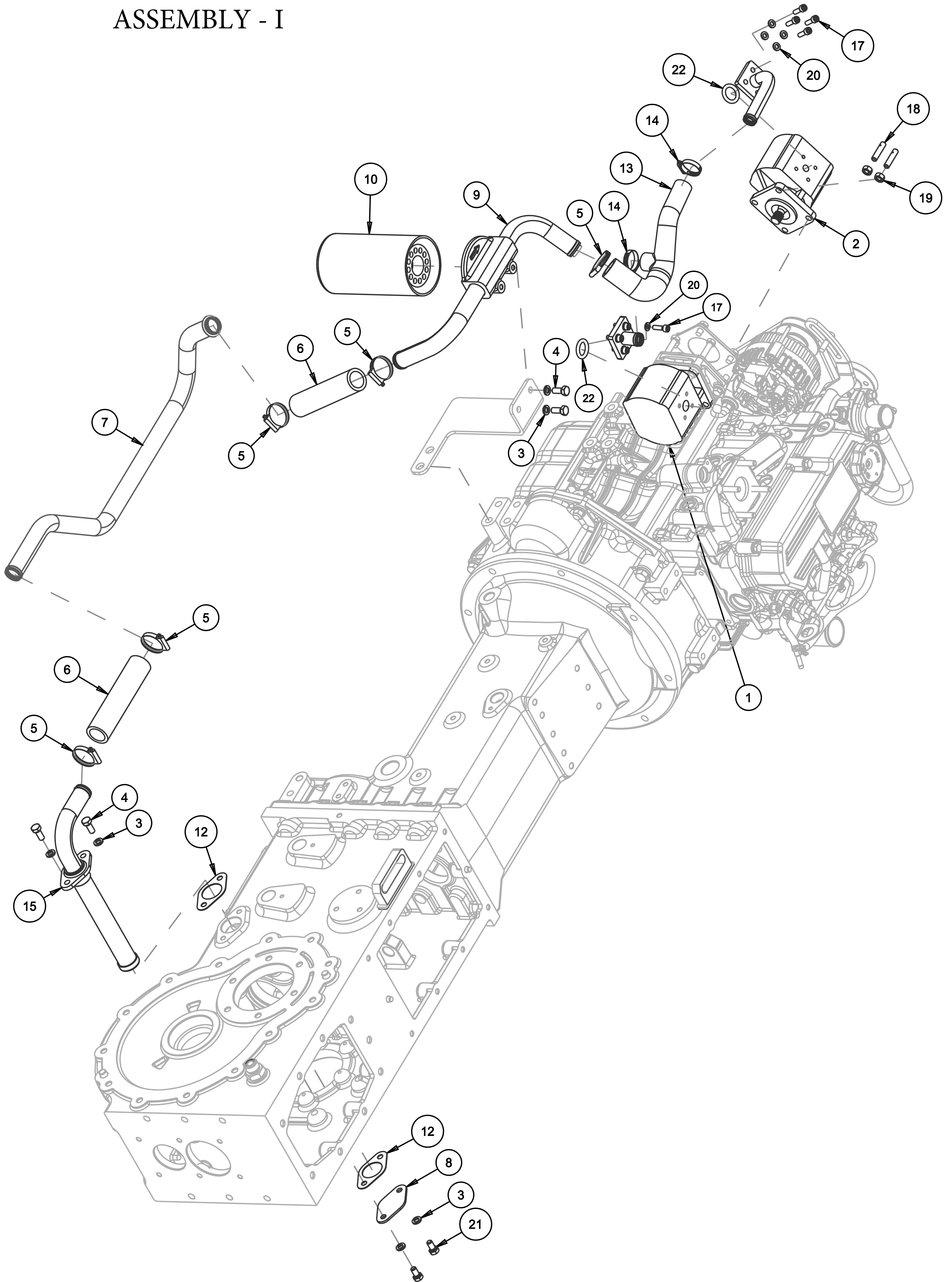
TRAILER PIPE ASSEMBLY

MODEL :- 283, 283 NT

ASSY. NO.:-11305718

SR. NO.	PART NO.	DESCRIPTION	QTY.	REMARKS
1	11202807	TRAILER PIPE (3+1)	1	
2	11500430	COPPER WASHER Ø21XØ26X1.5	1	
3	11200432	MALE FEMALE VALVE	1	
4	11200433	DUST CAP	1	
5	11202808	BRACKET, TRAILER PIPE (3+1)	1	
6	11502338	COPPER WASHER Ø18XØ24X1.5	2	
7	11202994	BANJO BOLT M18 X 1.5P	1	

HYDRAULIC PUMP & PIPE
ASSEMBLY - I

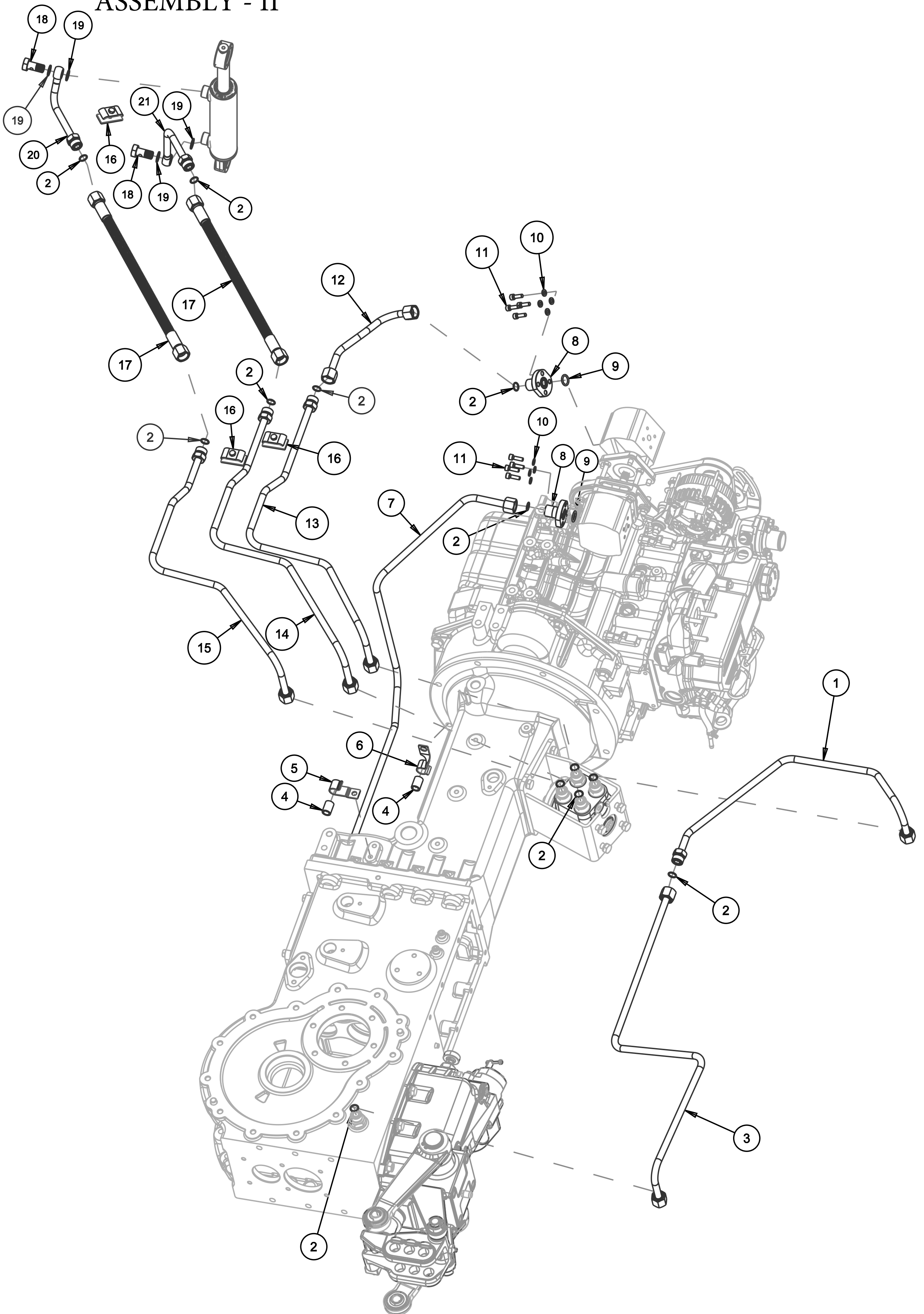


HYDRAULIC PUMP & PIPE ASSEMBLY 1
MODEL :- 263, 283, 283 NT
ASSY. NO.:-11305579

SR. NO.	PART NO.	DESCRIPTION	QTY.	REMARKS
1	11402456	GEAR PUMP HYDRAULIC (CW)	1	
2	11402455	GEAR PUMP HYDRAULIC (ACW)	1	
3	11500052	SPRING WASHER - 8mm	6	
4	11500067	HEX. BOLT M8X20 (F.T)	4	
5	11205251	CLAMP 40mm (IS: 4762)	5	
6	11205155	SUCTION HOSE (150mm)	2	
7	11205154	SUCTION PIPE	1	
8	11205205	SEALING FLANGE STRAINER FILTER	1	
9	11205156	SUCTION FILTER HEAD	1	
10	11405481	SUCTION FILTER ASSY	1	
12	11201481	GASKET, STRAINER FILTER	2	
13	11205158	T- HOSE SUCTION PIPE	1	
14	11201445	CLAMP 25mm (IS: 4762)	2	
15	11205153	STRAINER FILTER	1	
17	11500881	ALLEN BOLT M6x20 (F.T.)	8	
18	11502260	GRUB BOLT M8x35	2	
19	11500082	HEX NUT M8	2	
20	11500073	SPRING WASHER - 6 mm	8	
21	11500076	HEX. BOLT M8X16 (F.T.)	2	
22	11500415	O-RING Ø20 x Ø2.5	2	

HYDRAULIC PUMP & PIPE ASSEMBLY - II

MODEL - 263

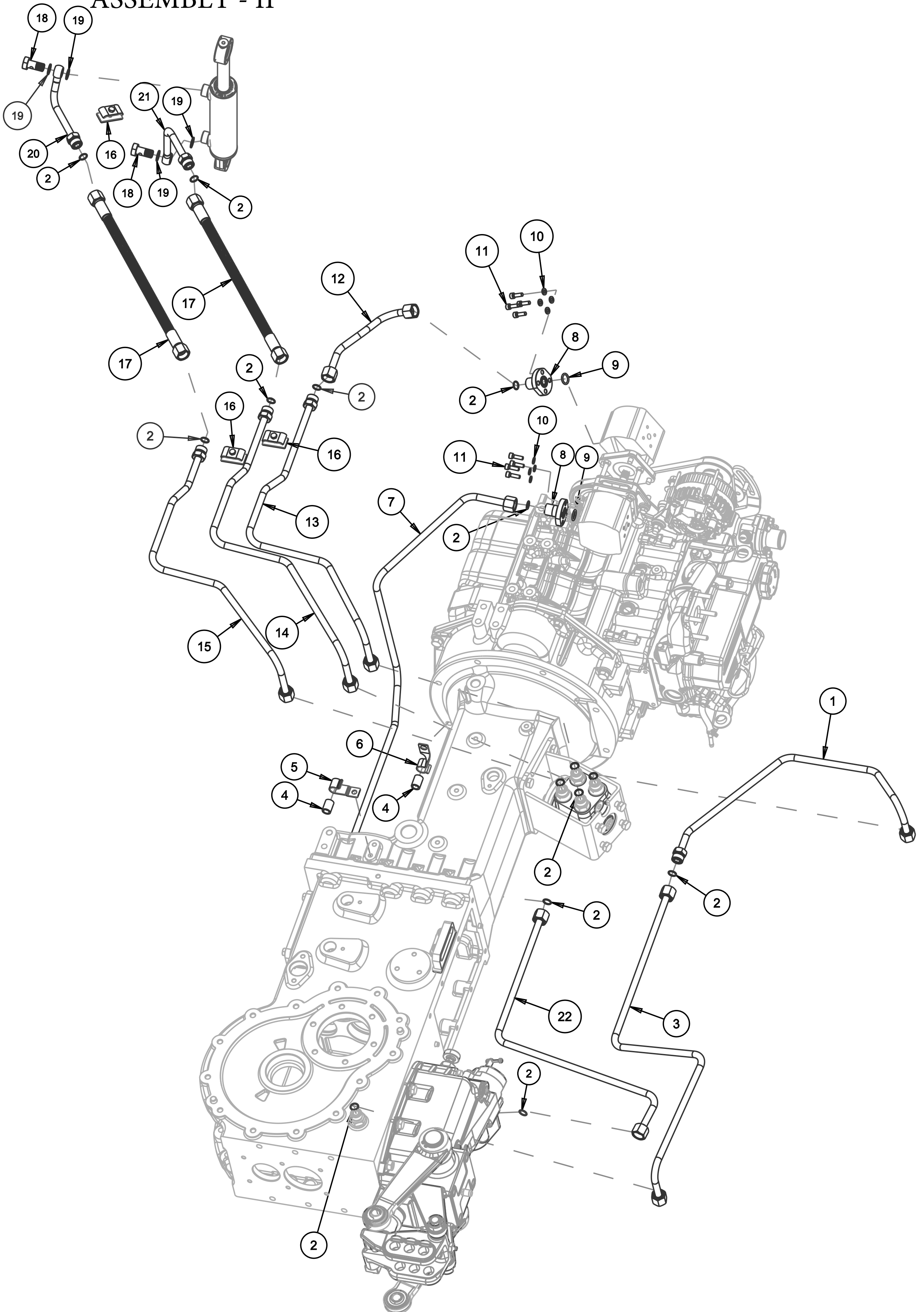


HYDRAULIC PUMP & PIPE ASSEMBLY 2
MODEL :- 263
ASSY. NO.:-11305580

SR. NO.	PART NO.	DESCRIPTION	QTY.	REMARKS
1	11205237	PRIMARY PIPE STEERING TO REAR TRANSMISSION	1	
2	11205329	O-RING 12.42X1.78	15	
3	11205238	SECONDARY PIPE STEERING TO REAR TRANSMISSION	1	
4	11205523	RUBBER PROTECTION - PIPE Ø 12	2	
5	11205242	CLAMP - PRIMARY PIPE STEERING TO REAR TRANSMISSION	1	
6	11205243	CLAMP - PRIMARY DELIVERY PIPE	1	
7	11205241	PRIMARY DELIVERY PIPE	1	
8	11205325	PUMP CONNECTION 13/16" UN	2	
9	11504882	O-RING Ø15.54 x 2.62	2	
10	11500073	SPRING WASHER - 6 mm	8	
11	11500881	ALLEN BOLT M6x20 (F.T.)	8	
12	11205235	PRIMARY PIPE PUMP TO STEERING	1	
13	11205236	SECONDARY PIPE PUMP TO STEERING	1	
14	11205239	PRIMARY STEERING PIPE - L	1	
15	11205240	PRIMARY STEERING PIPE - R	1	
16	11202293	CLAMP FOR PS PIPE	3	
17	11205246	FLEXIBLE STEERING PIPE	2	
18	11205286	BANJO BOLT 9/16" - 18 UNF 2A L-30	2	
19	11205317	COPPER WASHER Ø 14.5XØ 20X1.5	4	
20	11205244	SECONDARY STEERING PIPE - L	1	
21	11205245	SECONDARY STEERING PIPE - R	1	

HYDRAULIC PUMP & PIPE ASSEMBLY - II

MODEL - 283



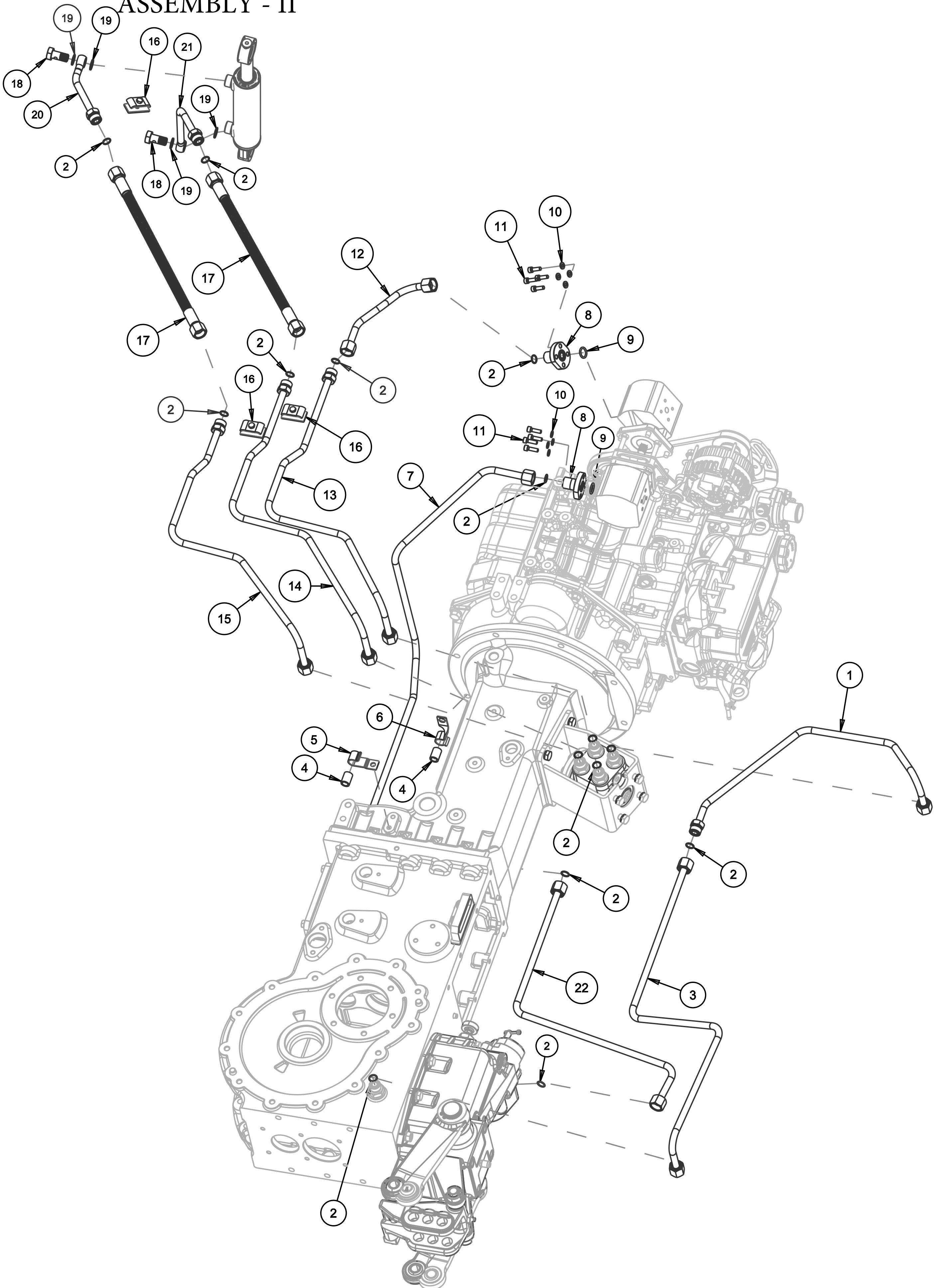
HYDRAULIC PUMP & PIPE ASSEMBLY 2

MODEL :- 283			ASSY. NO.:-11305681	
SR. NO.	PART NO.	DESCRIPTION	QTY.	REMARKS
1	11205237	PRIMARY PIPE STEERING TO REAR TRANSMISSION	1	
2	11205329	O-RING 12.42X1.78	15	
3	11205238	SECONDARY PIPE STEERING TO REAR TRANSMISSION	1	
4	11205523	RUBBER PROTECTION - PIPE Ø 12	2	
5	11205242	CLAMP - PRIMARY PIPE STEERING TO REAR TRANSMISSION	1	
6	11205243	CLAMP - PRIMARY DELIVERY PIPE	1	
7	11205241	PRIMARY DELIVERY PIPE	1	
8	11205325	PUMP CONNECTION 13/16" UN	2	
9	11504882	O-RING Ø15.54 x 2.62	2	
10	11500073	SPRING WASHER - 6 mm	8	
11	11500881	ALLEN BOLT M6x20 (F.T.)	8	
12	11205235	PRIMARY PIPE PUMP TO STEERING	1	
13	11205236	SECONDARY PIPE PUMP TO STEERING	1	
14	11205239	PRIMARY STEERING PIPE - L	1	
15	11205240	PRIMARY STEERING PIPE - R	1	
16	11202293	CLAMP FOR PS PIPE	3	
17	11205246	FLEXIBLE STEERING PIPE	2	
18	11205286	BANJO BOLT 9/16" - 18 UNF 2A L-30	2	
19	11205317	COPPER WASHER Ø 14.5XØ 20X1.5	4	
20	11205244	SECONDARY STEERING PIPE - L	1	
21	11205245	SECONDARY STEERING PIPE - R	1	
22	11202813	SECONDARY DELIVERY PIPE	1	

HYDRAULIC PUMP & PIPE

MODEL - 283 - NT

ASSEMBLY - II

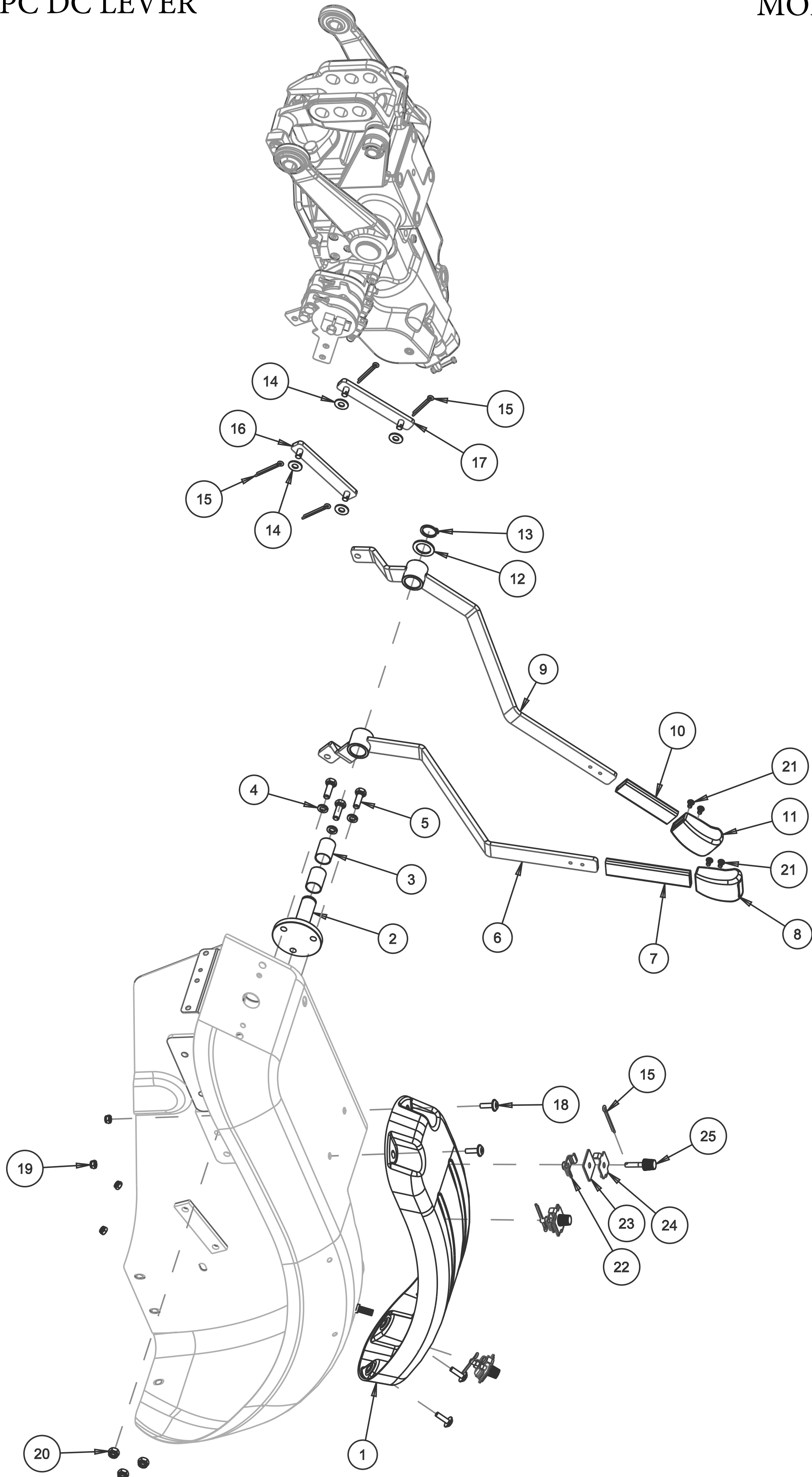


HYDRAULIC PUMP & PIPE ASSEMBLY 2
MODEL :- 283 NT
ASSY. NO.:-11305736

SR. NO.	PART NO.	DESCRIPTION	QTY.	REMARKS
1	11205237	PRIMARY PIPE STEERING TO REAR TRANSMISSION	1	
2	11205329	O-RING 12.42X1.78	15	
3	11205238	SECONDARY PIPE STEERING TO REAR TRANSMISSION	1	
4	11205523	RUBBER PROTECTION - PIPE Ø 12	2	
5	11205242	CLAMP - PRIMARY PIPE STEERING TO REAR TRANSMISSION	1	
6	11205243	CLAMP - PRIMARY DELIVERY PIPE	1	
7	11205241	PRIMARY DELIVERY PIPE	1	
8	11205325	PUMP CONNECTION 13/16" UN	2	
9	11504882	O-RING Ø15.54 x 2.62	2	
10	11500073	SPRING WASHER - 6 mm	8	
11	11500881	ALLEN BOLT M6x20 (F.T.)	8	
12	11205235	PRIMARY PIPE PUMP TO STEERING	1	
13	11205236	SECONDARY PIPE PUMP TO STEERING	1	
14	11205239	PRIMARY STEERING PIPE - L	1	
15	11205240	PRIMARY STEERING PIPE - R	1	
16	11202293	CLAMP FOR PS PIPE	3	
17	11205246	FLEXIBLE STEERING PIPE	2	
18	11205286	BANJO BOLT 9/16" - 18 UNF 2A L-30	2	
19	11205317	COPPER WASHER Ø 14.5XØ 20X1.5	4	
20	11205540	SECONDARY STEERING PIPE - L (NT)	1	
21	11205539	SECONDARY STEERING PIPE - R (NT)	1	
22	11202813	SECONDARY DELIVERY PIPE	1	

PC DC LEVER

MODEL - 263

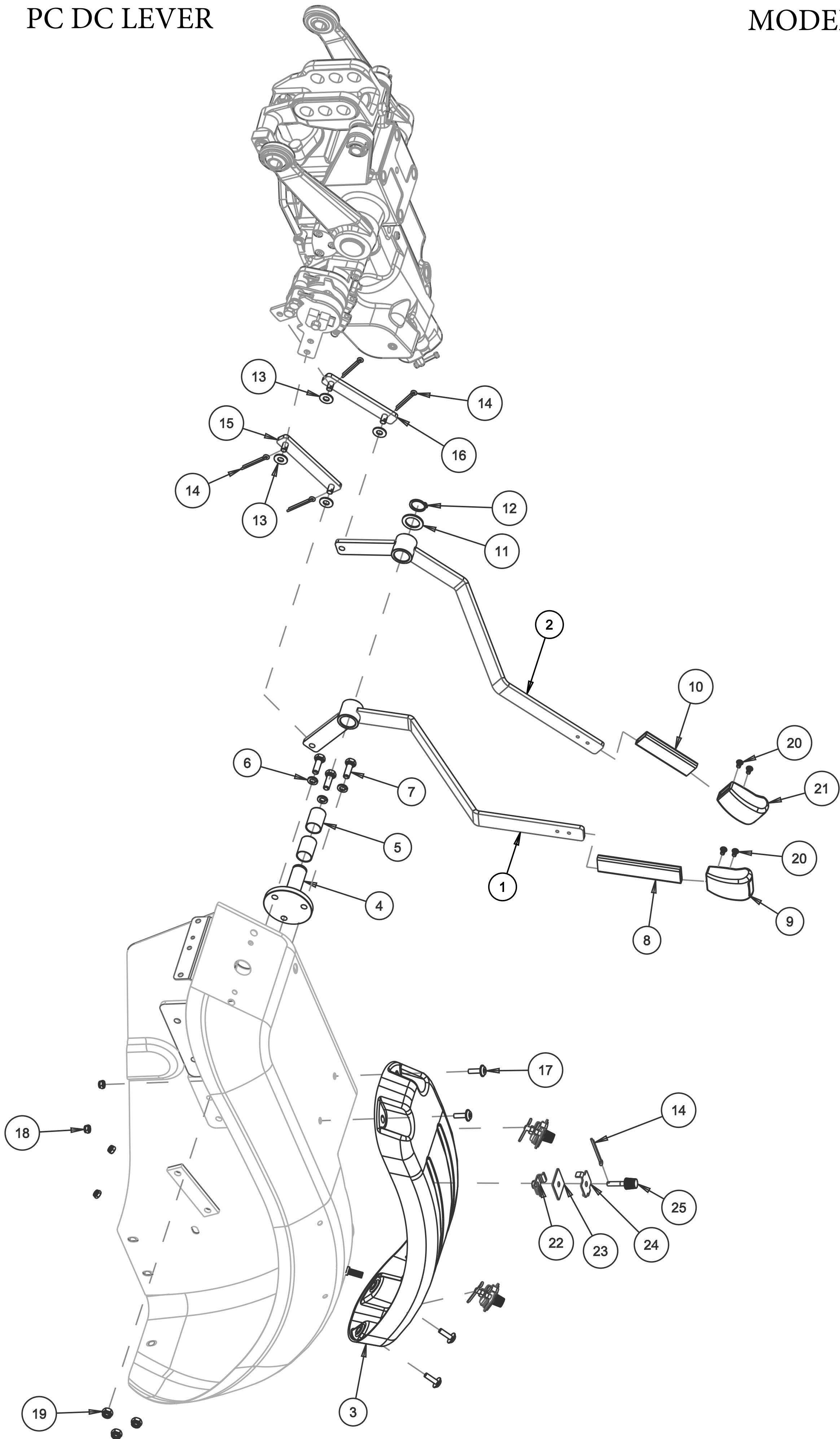


PC-DC LEVER
MODEL :- 263
ASSY. NO.:-11305585

SR. NO.	PART NO.	DESCRIPTION	QTY.	REMARKS
1	11203000	FENDER COVER RH	1	
2	11203110	LEVER,GUIDE	1	
3	11203195	BUSH, LEVER IGUS (Ø20 x Ø22 x 30)	2	
4	11500052	SPRING WASHER - 8mm	3	
5	11500051	HEX. BOLT M8 X 25 (F.T.)	3	
6	11205222	LEVER - POSITION CONTROL	1	
7	11204698	COVER PC PLASTIC	1	
8	11203152	KNOB PC	1	
9	11205223	LEVER - DRAFT CONTROL	1	
10	11204696	COVER DC PLASTIC	1	
11	11203153	KNOB DC	1	
12	11203206	PLAIN WASHER Ø20.3xØ30x2	1	
13	11503297	CIRCLIP,EXTERNAL Ø20x1.75	1	
14	11501068	PLAIN WASHER Ø8.5XØ19X1.5	4	
15	11500619	SPLIT PIN 3/32" x 1"	7	
16	11203204	LINK, PC	1	
17	11203205	LINK, DC	1	
18	11502174	M6 X 20 ROUND HEAD SCREW WITH COLLAR	4	
19	11500947	NYLOCK NUT M6	4	
20	11500520	NYLOCK HEX NUT M8	3	
21	11503131	PAN HEAD SCREW M5X8	4	
22	11205433	PLATE STOPPER PC-DC (BOTTOM)	3	
23	11205431	PAD RUBBER SPACER PC-DC	3	
24	11205432	PLATE STOPPER PC-DC (TOP)	3	
25	11205434	KNOB STOPPER PC-DC	3	

PC DC LEVER

MODEL - 283

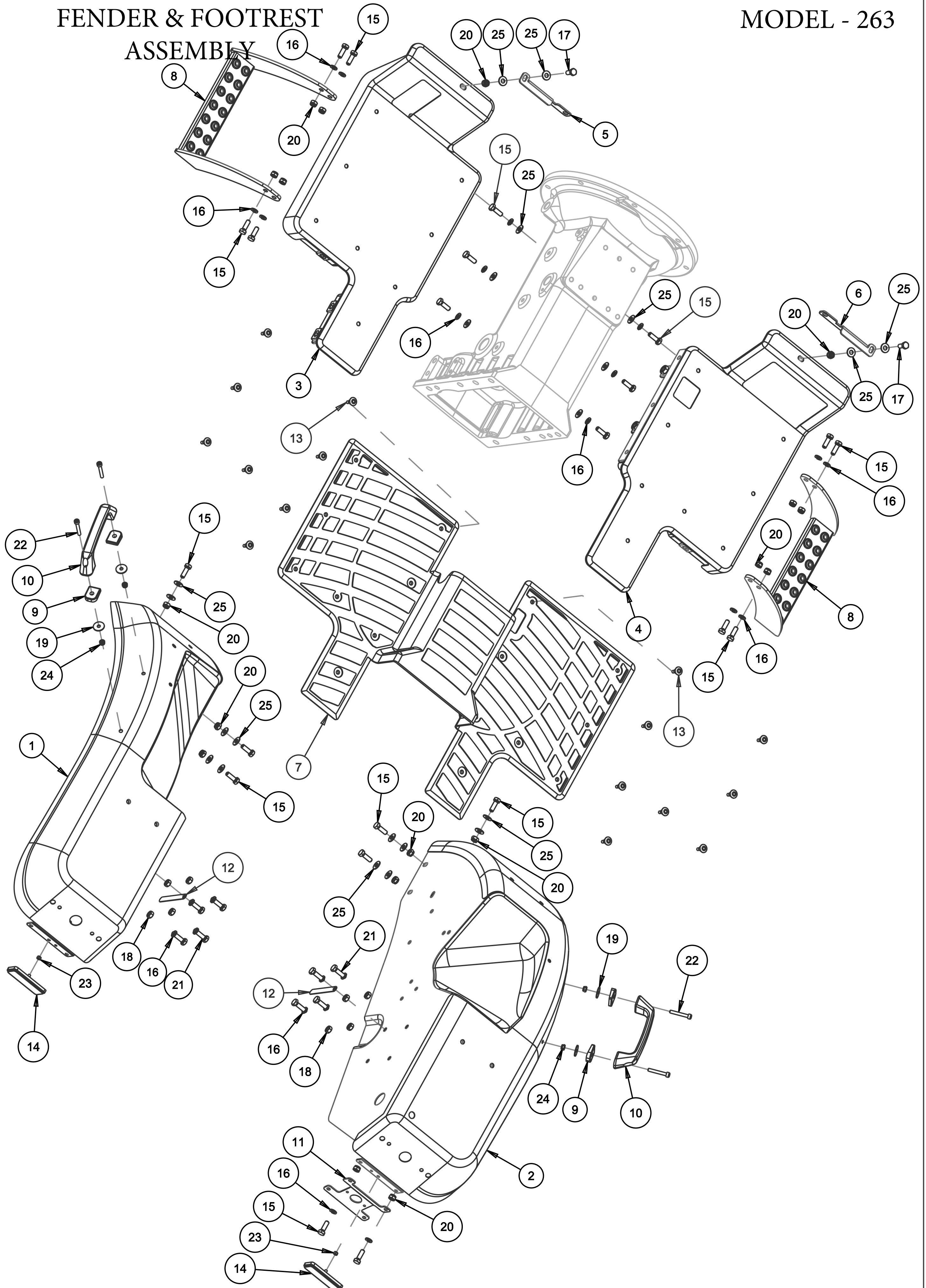


PC-DC LEVER ASSEMBLY
MODEL :- 283, 283 NT
ASSY. NO.:-11305654

SR. NO.	PART NO.	DESCRIPTION	QTY.	REMARKS
1	11302443	LEVER - POSITION CONTROL	1	
2	11302442	LEVER - DRAFT CONTROL	1	
3	11203000	FENDER COVER RH	1	
4	11203110	LEVER, GUIDE	1	
5	11203195	BUSH, LEVER IGUS (Ø20 x Ø22 x 30)	2	
6	11500052	SPRING WASHER - 8mm	3	
7	11500051	HEX. BOLT M8 X 25 (F.T.)	3	
8	11204698	COVER PC PLASTIC	1	
9	11203152	KNOB PC	1	
10	11204696	COVER DC PLASTIC	1	
11	11203206	PLAIN WASHER Ø20.3xØ30x2	1	
12	11503297	CIRCLIP, EXTERNAL Ø20x1.75	1	
13	11501068	PLAIN WASHER Ø8.5XØ19X1.5	4	
14	11500619	SPLIT PIN 3/32" x 1"	7	
15	11203204	LINK, PC	1	
16	11203205	LINK, DC	1	
17	11502174	M6 X 20 ROUND HEAD SCREW WITH COLLAR	4	
18	11500947	NYLOCK NUT M6	4	
19	11500520	NYLOCK HEX NUT M8	3	
20	11503131	PAN HEAD SCREW M5X8	4	
21	11203153	KNOB DC	1	
22	11205433	PLATE STOPPER PC-DC (BOTTOM)	3	
23	11205431	PAD RUBBER SPACER PC-DC	3	
24	11205432	PLATE STOPPER PC-DC (TOP)	3	
25	11205434	KNOB STOPPER PC-DC	3	

FENDER & FOOTREST ASSEMBLY

MODEL - 263

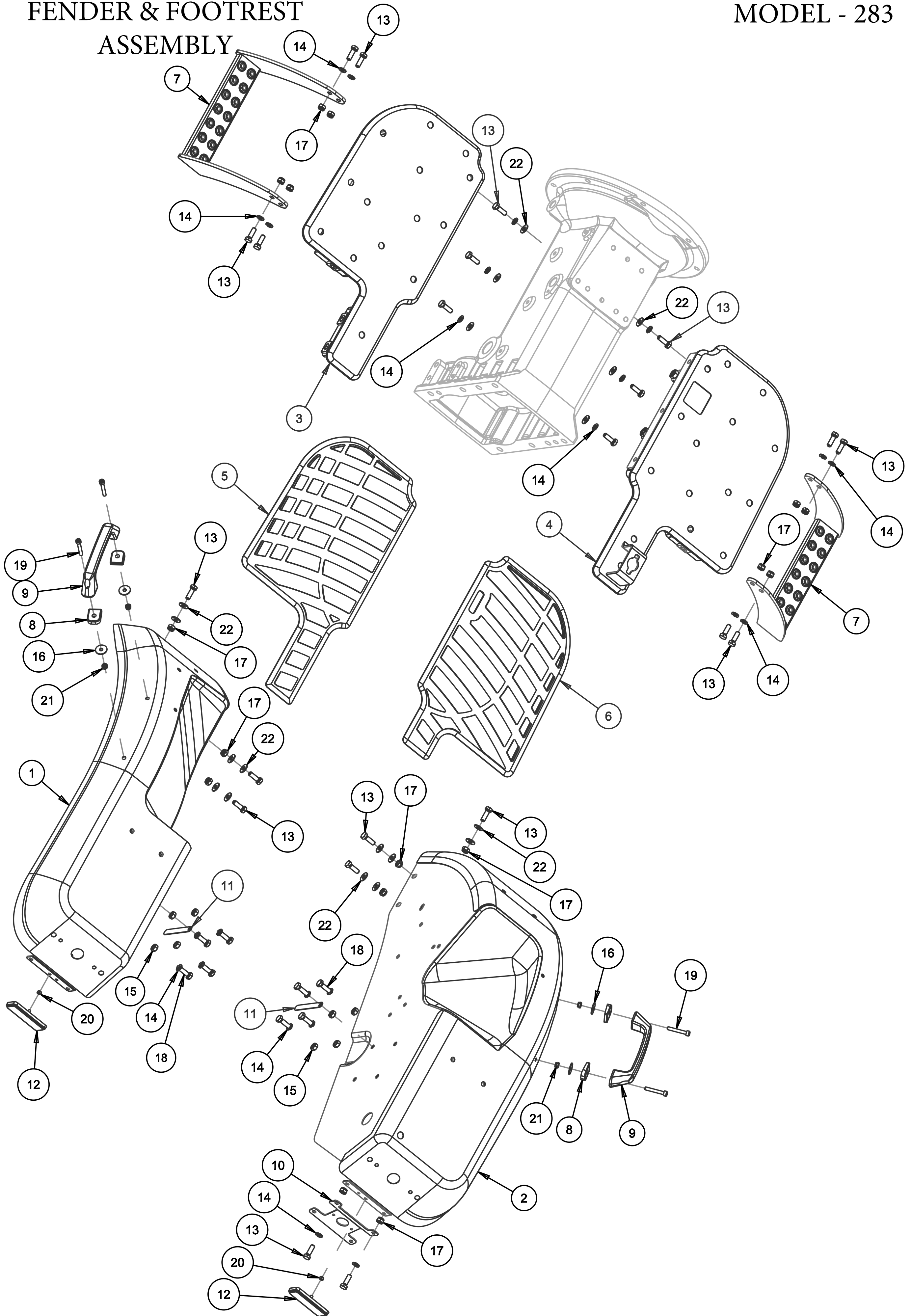


FENDER & FOOTREST ASSEMBLY
MODEL :- 263
ASSY. NO.:-11305561

SR. NO.	PART NO.	DESCRIPTION	QTY.	REMARKS
1	11202803	FENDER LH	1	
2	11202804	FENDER RH	1	
3	11205215	FOOT REST - LH	1	
4	11205214	FOOT REST - RH	1	
5	11205216	SUPPORT - FOOTREST LH	1	
6	11205217	SUPPORT - FOOTREST RH	1	
7	11205426	FLOOR RUBBER MAT BIG	1	
8	11205019	FOOT STEP	2	
9	11202080	RUBBER DAMPER, HANDLE	4	
10	11202086	HANDLE GRIP, FENDER	2	
11	11205150	BRACKET-NUMBER PLATE	1	
12	11205377	CLIP FOR WIRING HARNESS	2	
13	11205711	PUSH RIVET 8mm	16	
14	11405161	REFLEX REFLECTOR	2	
15	11500051	HEX. BOLT M8 X 25 (F.T.)	22	
16	11500052	SPRING WASHER - 8mm	24	
17	11500067	HEX. BOLT M8x20 (F.T)	2	
18	11500082	HEX NUT M8	8	
19	11500485	PLAIN WASHER Ø6.5 X Ø23 X 1.5	4	
20	11500520	NYLOCK HEX NUT M8	18	
21	11500580	HEX. BOLT M8 X 30 (F.T.)	8	
22	11500855	ALLEN BOLT- M6 x 40 (F.T.)	4	
23	11500931	NYLOCK HEX. NUT M5	2	
24	11500947	NYLOCK NUT M6	4	
25	11501068	PLAIN WASHER Ø8.5XØ19X1.5	22	

FENDER & FOOTREST ASSEMBLY

MODEL - 283

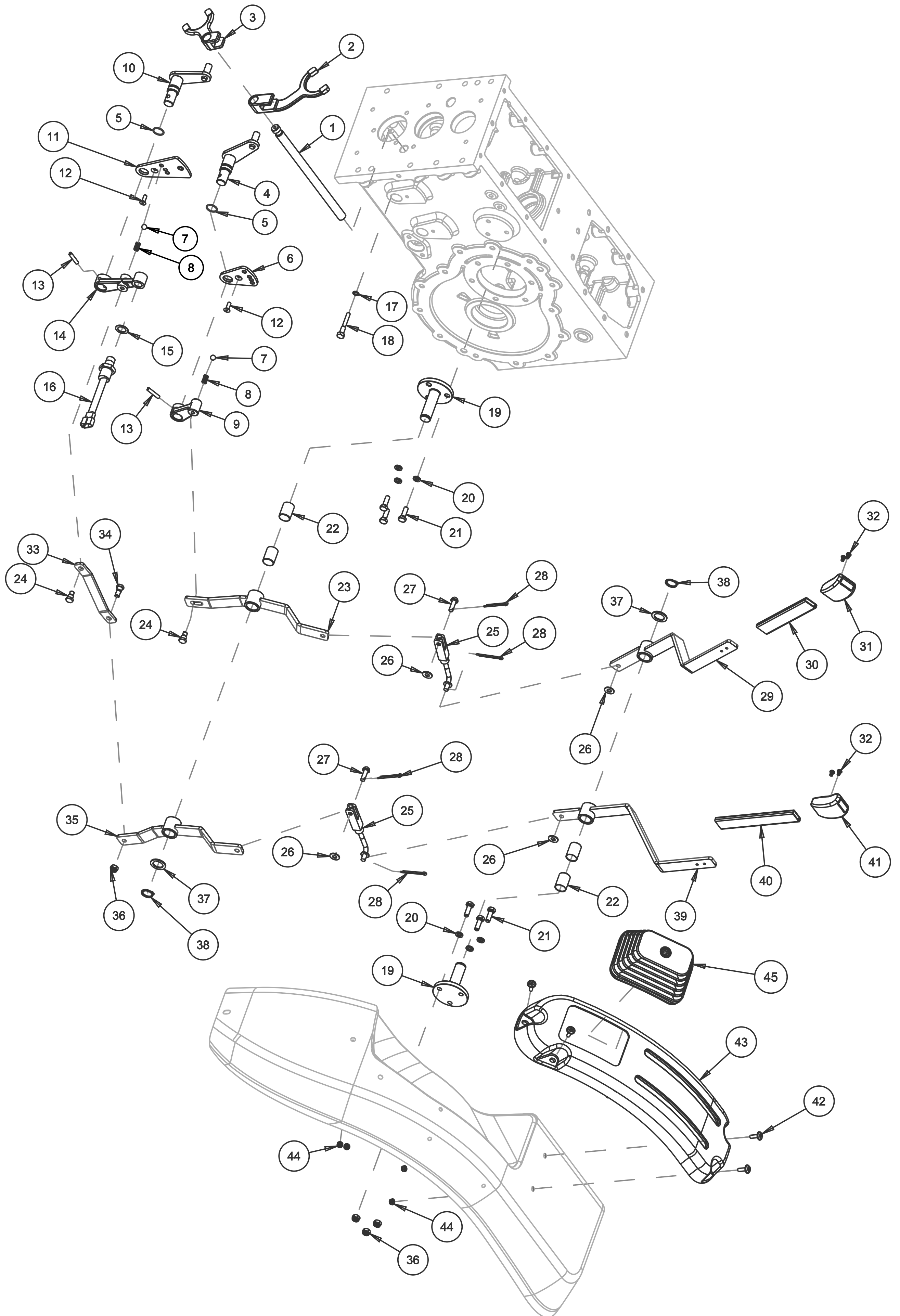


FENDER & FOOTREST ASSEMBLY
MODEL :- 283, 283 NT
ASSY. NO.:-11305669

SR. NO.	PART NO.	DESCRIPTION	QTY.	REMARKS
1	11202803	FENDER LH	1	
2	11202804	FENDER RH	1	
3	11202815	FOOT REST, LH	1	
4	11202816	FOOT REST, RH	1	
5	11203126	RUBBER MAT LH	1	
6	11203127	RUBBER MAT RH	1	
7	11205019	FOOT STEP	2	
8	11202080	RUBBER DAMPER, HANDLE	4	
9	11202086	HANDLE GRIP, FENDER	2	
10	11205150	BRACKET-NUMBER PLATE	1	
11	11205377	CLIP FOR WIRING HARNESS	2	
12	11405161	REFLEX REFLECTOR	2	
13	11500051	HEX. BOLT M8 X 25 (F.T.)	22	
14	11500052	SPRING WASHER - 8mm	24	
15	11500082	HEX NUT M8	8	
16	11500485	PLAIN WASHER Ø6.5 X Ø23 X 1.5	4	
17	11500520	NYLOCK HEX NUT M8	16	
18	11500580	HEX. BOLT M8 X 30 (F.T.)	8	
19	11500855	ALLEN BOLT- M6 x 40 (F.T.)	4	
20	11500931	NYLOCK HEX. NUT M5	2	
21	11500947	NYLOCK NUT M6	4	
22	11501068	PLAIN WASHER Ø8.5XØ19X1.5	18	

HML PTO ASSEMBLY

MODEL - 263

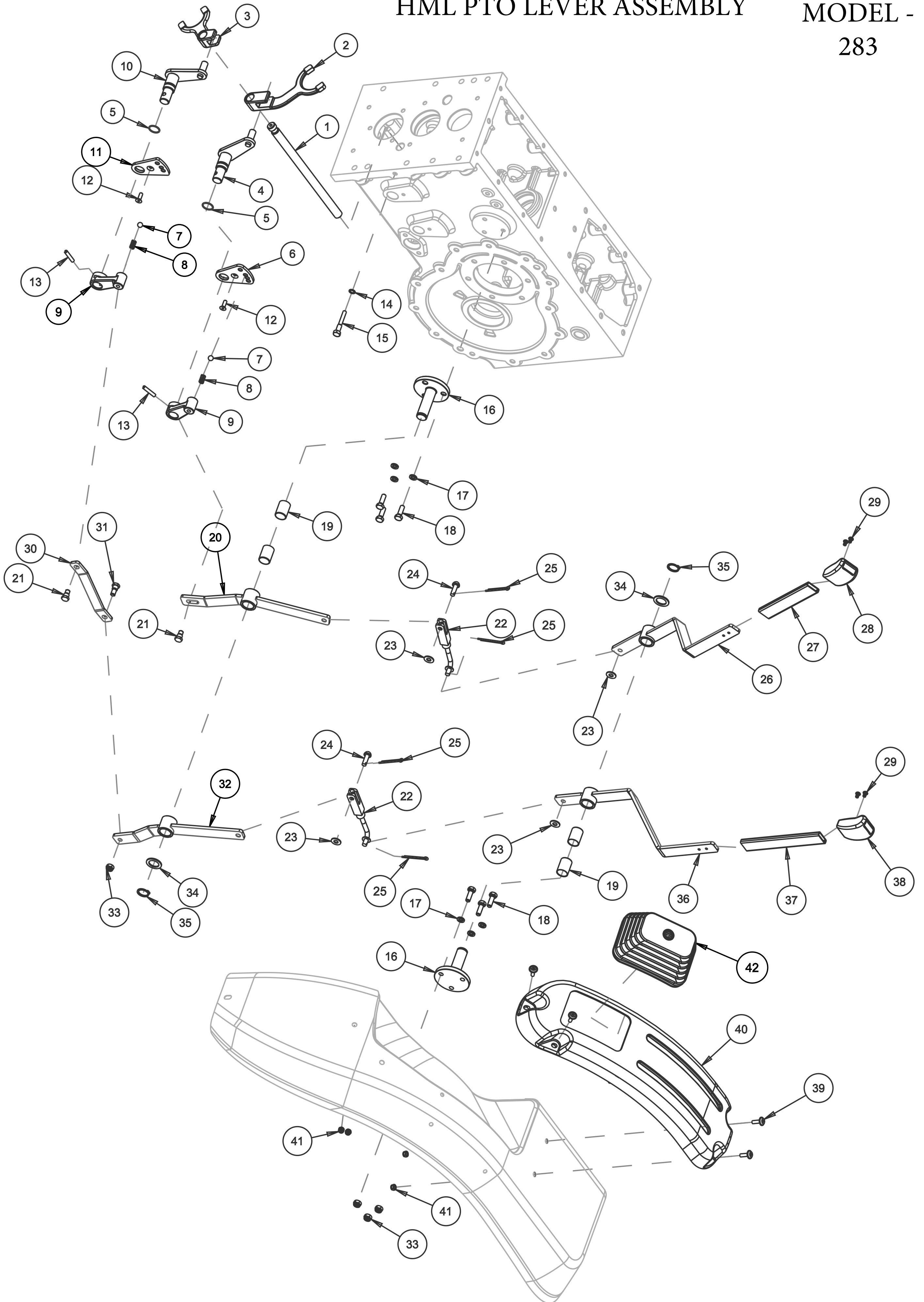


HML PTO LEVER ASSEMBLY
MODEL :- 263
ASSY. NO.:-11305577

SR. NO.	PART NO.	DESCRIPTION	QTY.	REMARKS
1	11202508	SHAFT, FROK PTO	1	
2	11202353	FORK, H-M-L	1	
3	11202352	FORK-PTO	1	
4	11203104	SHIFTER H-M-L	1	
5	11504884	O-RING Ø18.77 x 1.78	2	
6	11203106	PLATE, H-M-L LOCKING	1	
7	11500089	BALL - Ø3/8"	2	
8	11203109	SPRING L-15.6	2	
9	11203107	SHIFTER, POSITION LEVER	1	
10	11203103	SHIFTER PTO	1	
11	11205218	PLATE - PTO LOCKING	1	
12	11502175	CSK BOLT M6 X 15	2	
13	11502531	SLOTTED SPRING PIN Ø6X30	2	
14	11205219	SHIFTER - POSITION LEVER	1	
15	11500427	COPPER WASHER Ø16.5xØ25x1	1	QTY:- AR
16	11402494	NEUTRAL SAFETY SWITCH	1	
17	11500112	COPPER WASHER Ø8XØ12X1	1	
18	11202806	SPECIAL BOLT RAIL SHAFT LOCKING	1	
19	11203110	LEVER,GUIDE	2	
20	11500052	SPRING WASHER - 8mm	6	
21	11500051	HEX. BOLT M8 X 25 (F.T.)	6	
22	11203195	BUSH, LEVER IGUS (Ø20 x Ø22 x 30)	4	
23	11205220	LINK - HML	1	
24	11205004	SPECIAL BOLT, SHIFTER LINKAGE	2	
25	11204926	LINK (PTO & HML)	2	
26	11501068	PLAIN WASHER Ø8.5XØ19X1.5	4	
27	11200066	PIN CLUTCH	2	
28	11500619	SPLIT PIN 3/32" x 1"	4	
29	11302445	LEVER HML	1	
30	11204697	COVER H-M-L PLASTIC	1	
31	11202995	KNOB H-M-L	1	
32	11503131	PAN HEAD SCREW M5X8	4	
33	11202404	LINK PTO BOTTOM	1	
34	11202405	SPECIAL BOLT, LINK P.T.O. BOTTOM	1	
35	11205221	LINK - PTO	1	
36	11500520	NYLOCK HEX NUT M8	4	
37	11203206	PLAIN WASHER Ø20.3xØ30x2	2	
38	11503297	CIRCLIP,EXTERNAL Ø20x1.75	2	
39	11302444	LEVER PTO	1	
40	11204699	COVER PTO PLASTIC	1	
41	11202996	KNOB PTO	1	
42	11502174	M6 X 20 ROUND HEAD SCREW WITH COLLAR	4	
43	11202999	FENDER COVER LH	1	
44	11500947	NYLOCK NUT M6	4	
45	11205428	RUBBER BOOT	1	

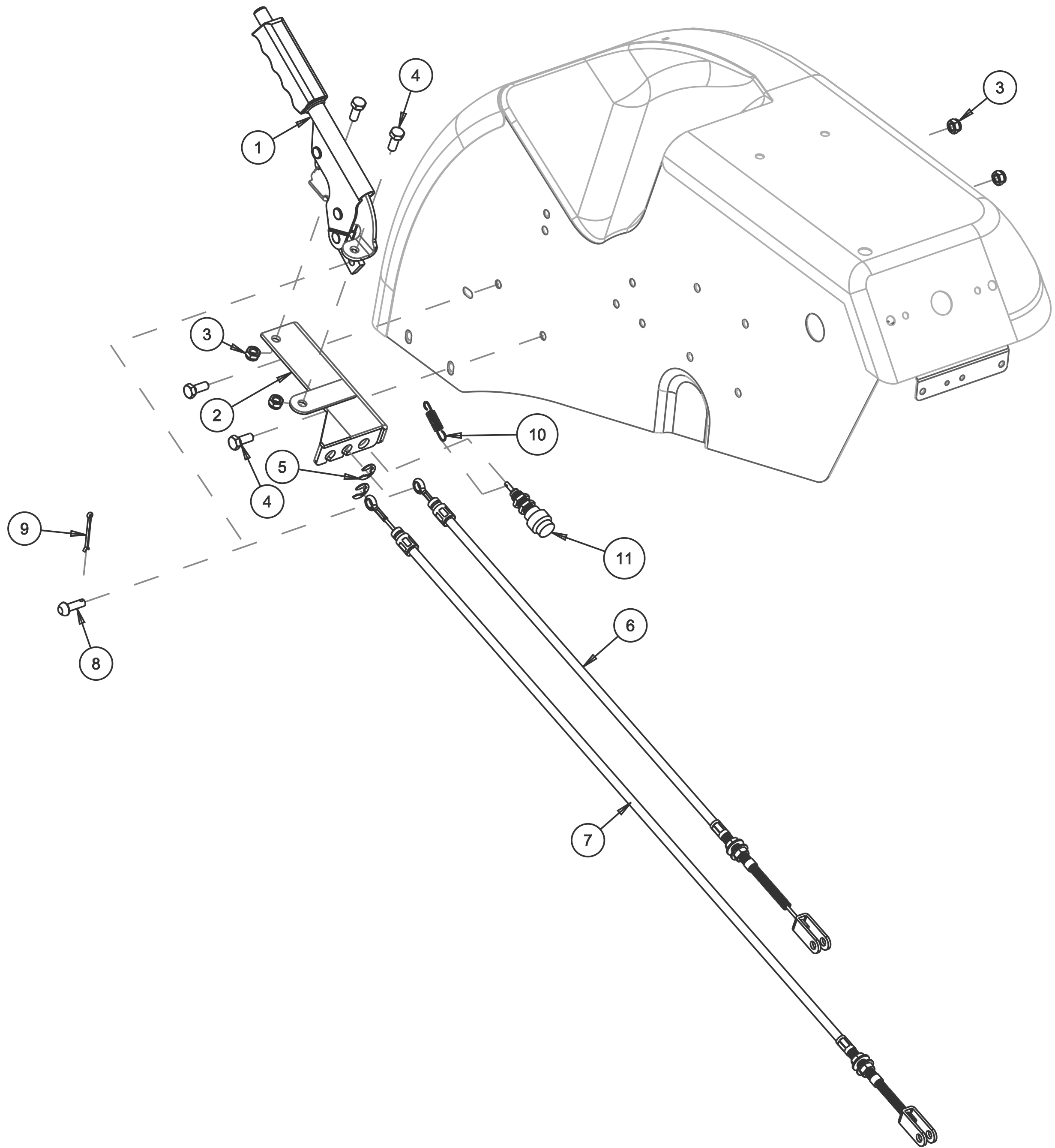
HML PTO LEVER ASSEMBLY

MODEL -
283



HML PTO LEVER ASSEMBLY
MODEL :- 283, 283 NT
ASSY. NO.:-11305671

SR. NO.	PART NO.	DESCRIPTION	QTY.	REMARKS
1	11202508	SHAFT, FROK PTO	1	
2	11202353	FORK, H-M-L	1	
3	11202352	FORK-PTO	1	
4	11203104	SHIFTER H-M-L	1	
5	11504884	O-RING Ø18.77 x 1.78	2	
6	11203106	PLATE, H-M-L LOCKING	1	
7	11500089	BALL - Ø3/8"	2	
8	11203109	SPRING L-15.6	2	
9	11203107	SHIFTER, POSITION LEVER	2	
10	11203103	SHIFTER PTO	1	
11	11203105	PLATE, PTO LOCKING	1	
12	11502175	CSK BOLT M6 X 15	2	
13	11502531	SLOTTED SPRING PIN Ø6X30	2	
14	11500112	COPPER WASHER Ø8XØ12X1	1	
15	11202806	SPECIAL BOLT RAIL SHAFT LOCKING	1	
16	11203110	LEVER,GUIDE	2	
17	11500052	SPRING WASHER - 8mm	6	
18	11500051	HEX. BOLT M8 X 25 (F.T.)	6	
19	11203195	BUSH, LEVER IGUS (Ø20 x Ø22 x 30)	4	
20	11204929	LINK ,H-M-L	1	
21	11205004	SPECIAL BOLT, SHIFTER LINKAGE	2	
22	11204926	LINK (PTO & HML)	2	
23	11501068	PLAIN WASHER Ø8.5XØ19X1.5	4	
24	11200066	PIN CLUTCH	2	
25	11500619	SPLIT PIN 3/32" x 1"	4	
26	11302445	LEVER HML	1	
27	11204697	COVER H-M-L PLASTIC	1	
28	11202995	KNOB H-M-L	1	
29	11503131	PAN HEAD SCREW M5X8	4	
30	11202404	LINK PTO BOTTOM	1	
31	11202405	SPECIAL BOLT, LINK P.T.O. BOTTOM	1	
32	11204928	LINK- PTO	1	
33	11500520	NYLOCK HEX NUT M8	4	
34	11203206	PLAIN WASHER Ø20.3xØ30x2	2	
35	11503297	CIRCLIP,EXTERNAL Ø20x1.75	2	
36	11302444	LEVER PTO	1	
37	11204699	COVER PTO PLASTIC	1	
38	11202996	KNOB PTO	1	
39	11502174	M6 X 20 ROUND HEAD SCREW WITH COLLAR	4	
40	11202999	FENDER COVER LH	1	
41	11500947	NYLOCK NUT M6	4	
42	11205428	RUBBER BOOT	1	

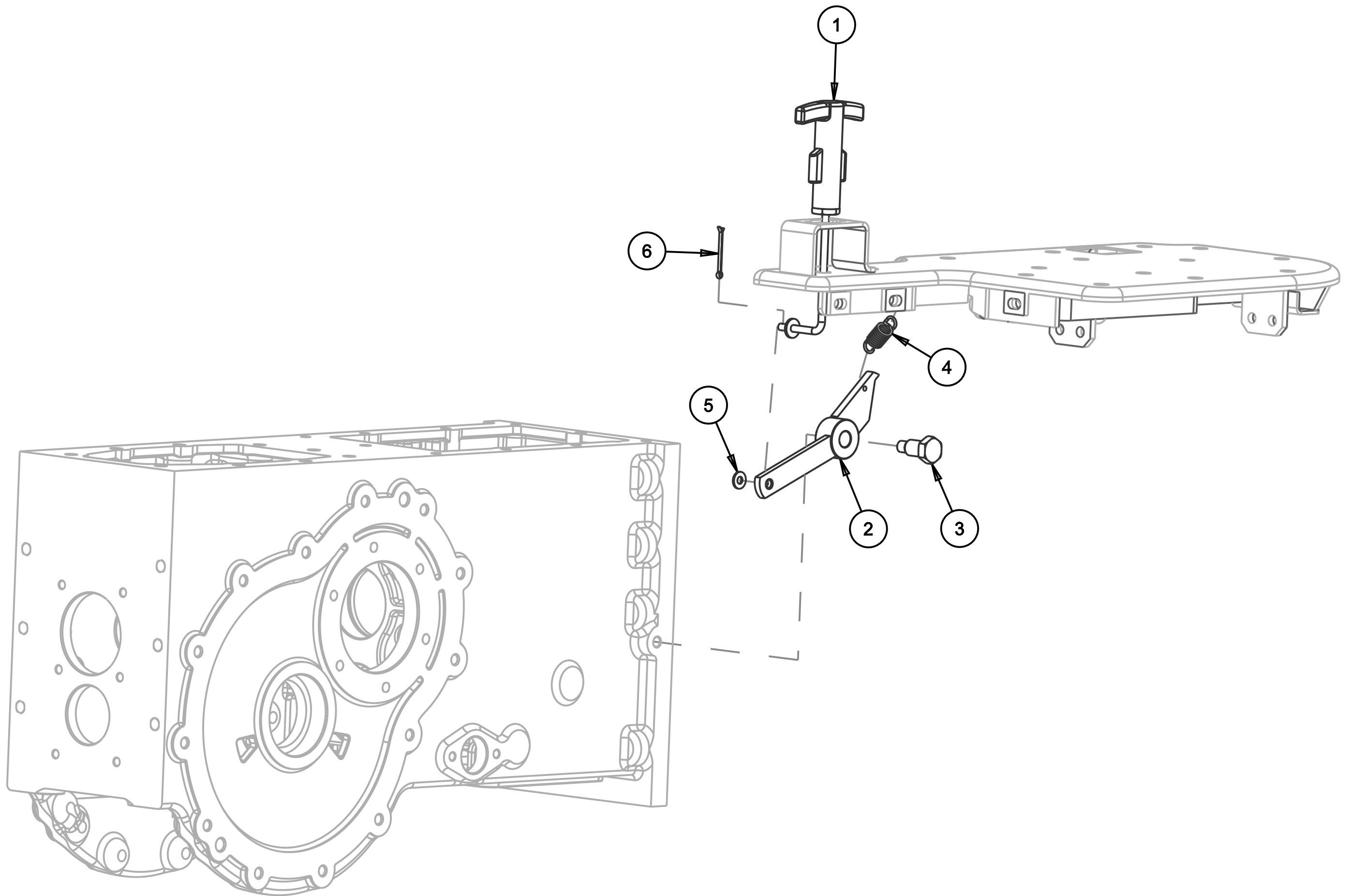


PARKING BRAKE ASSEMBLY

MODEL :- 263

ASSY. NO.:-11305584

SR. NO.	PART NO.	DESCRIPTION	QTY.	REMARKS
1	11402794	PARKING BRAKE	1	
2	11205393	BRACKET - HAND BRAKE	1	
3	11500520	NYLOCK HEX NUT M8	4	
4	11500067	HEX. BOLT M8X20 (F.T)	4	
5	11503026	EXTERNAL CIRCLIP ID 10	2	
6	11205276	CABLE HAND BRAKE SMALL	1	
7	11205277	CABLE HAND BRAKE BIG	1	
8	11200066	PIN CLUTCH	1	
9	11500357	SPLIT PIN 1/8" x 1.1/2"	1	
10	11201530	SPRING ACCELERATOR LEVER	1	
11	11401998	ASSEMBLY BRAKE SWITCH	1	

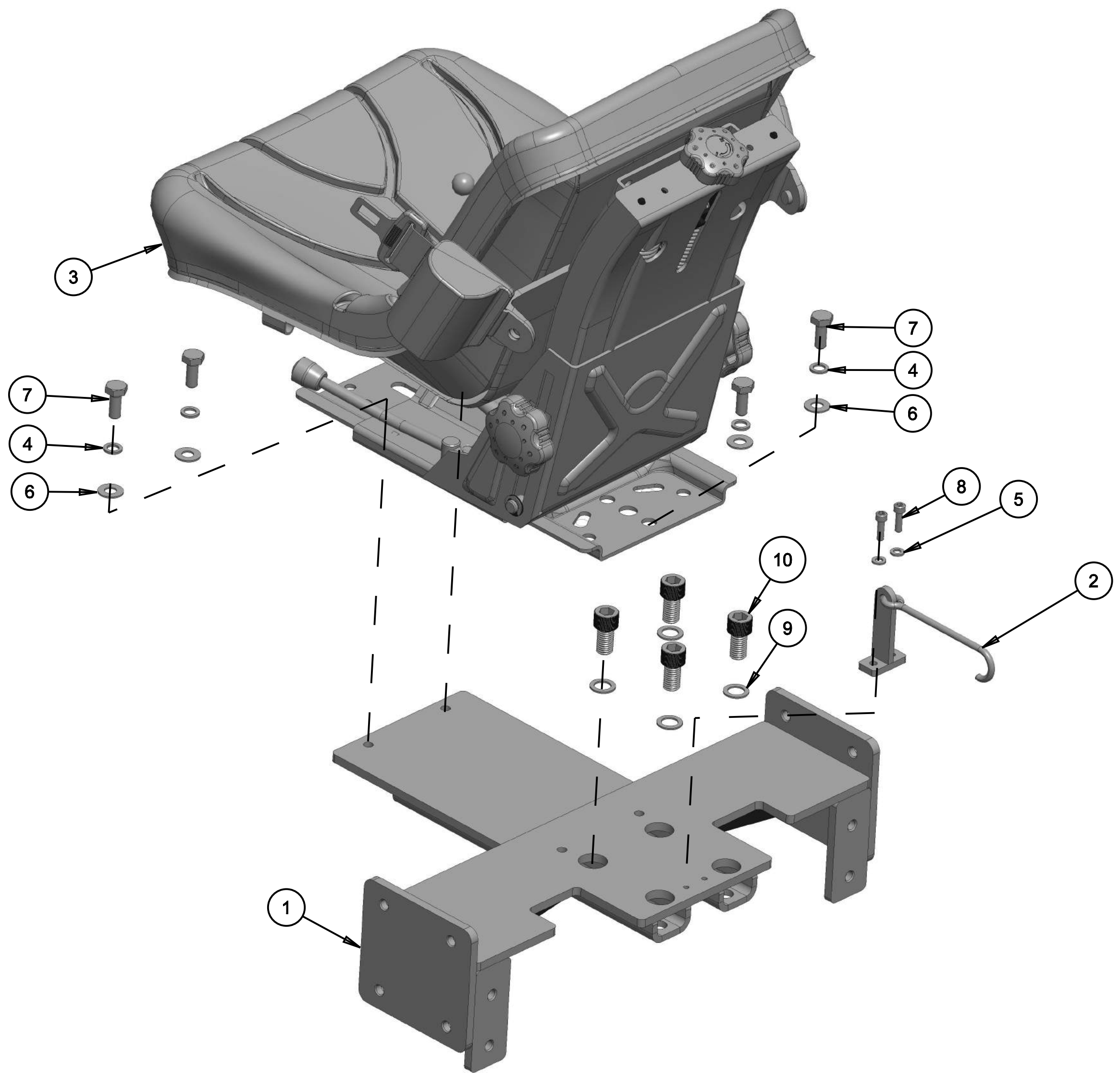


PARKING BRAKE ASSEMBLY

MODEL :- 283, 283 NT

ASSY. NO.:-11305662

SR. NO.	PART NO.	DESCRIPTION	QTY.	REMARKS
1	11302446	PARKING BRAKE	1	
2	11302452	LOCK,PARKING BRAKE	1	
3	11202993	SPECIAL BOLT - PARKING BRAKE	1	
4	11203292	SPRING, PARKING BRAKE	1	
5	11204991	WASHER, FRICTION Ø6.5 X Ø15 X 1.5	1	
6	11500357	SPLIT PIN 1/8" x 1.1/2"	1	

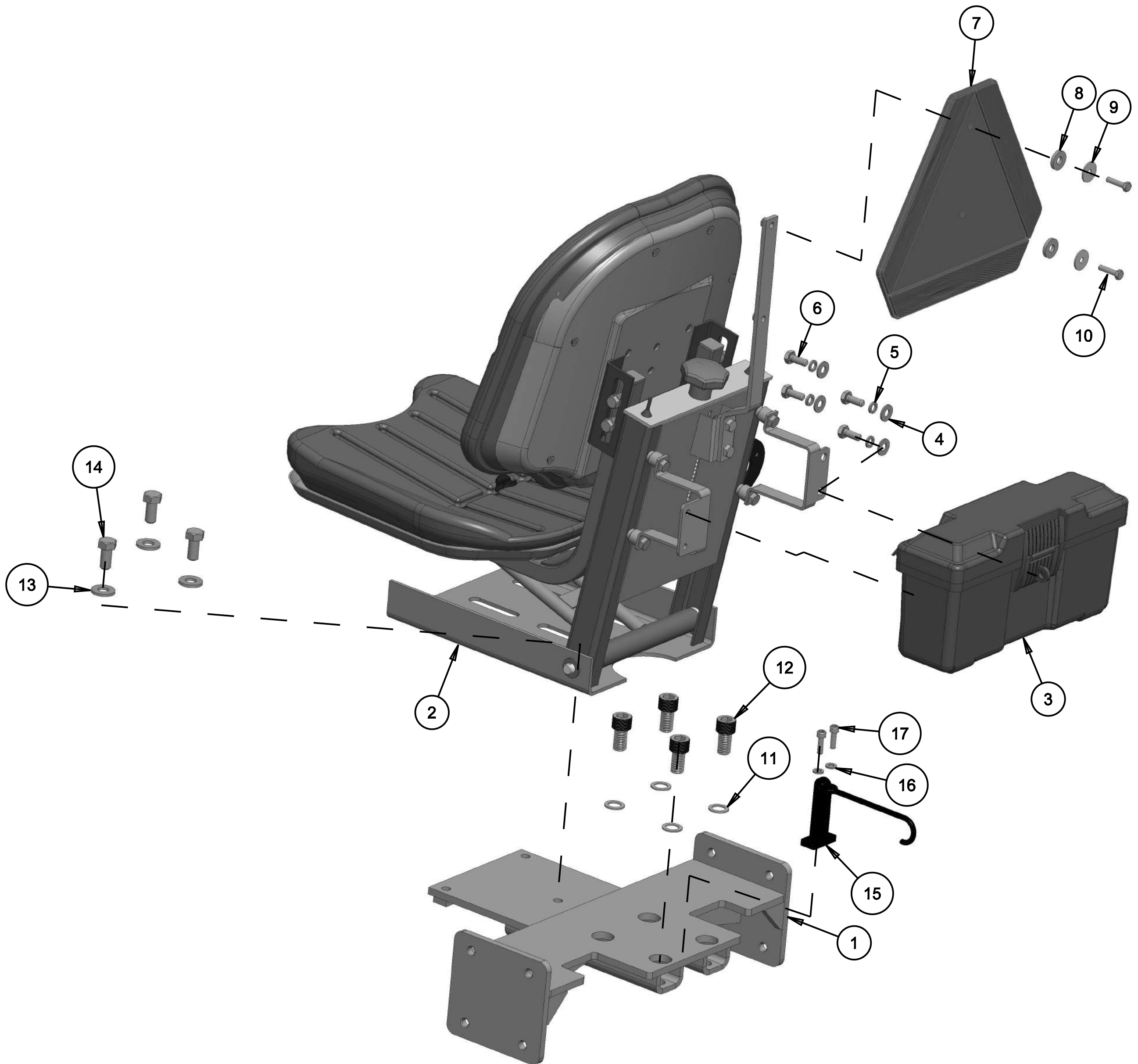


FENDER BRACKET AND SEAT ASSEMBLY

MODEL :- 263

ASSY. NO.:-11305562

SR. NO.	PART NO.	DESCRIPTION	QTY.	REMARKS
1	11204998	BRACKET FENDER MOUNTING (492)	1	
2	11205622	TOP LINK HOLDER	1	
3	11402505	SEAT (ST GC05)	1	
4	11500062	SPRING WASHER 10mm	4	
5	11500073	SPRING WASHER - 6 mm	2	
6	11500078	PLAIN WASHER Ø10.5xØ22x1.5	4	
7	11500156	HEX. BOLT M10X25 (F.T.)	4	
8	11500881	ALLEN BOLT M6x20 (F.T.)	2	
9	11501826	SPRING WASHER - 14mm	4	
10	11505404	ALLEN BOLT M14x25 (F.T.)	4	



FENDER BRACKET AND SEAT ASSEMBLY

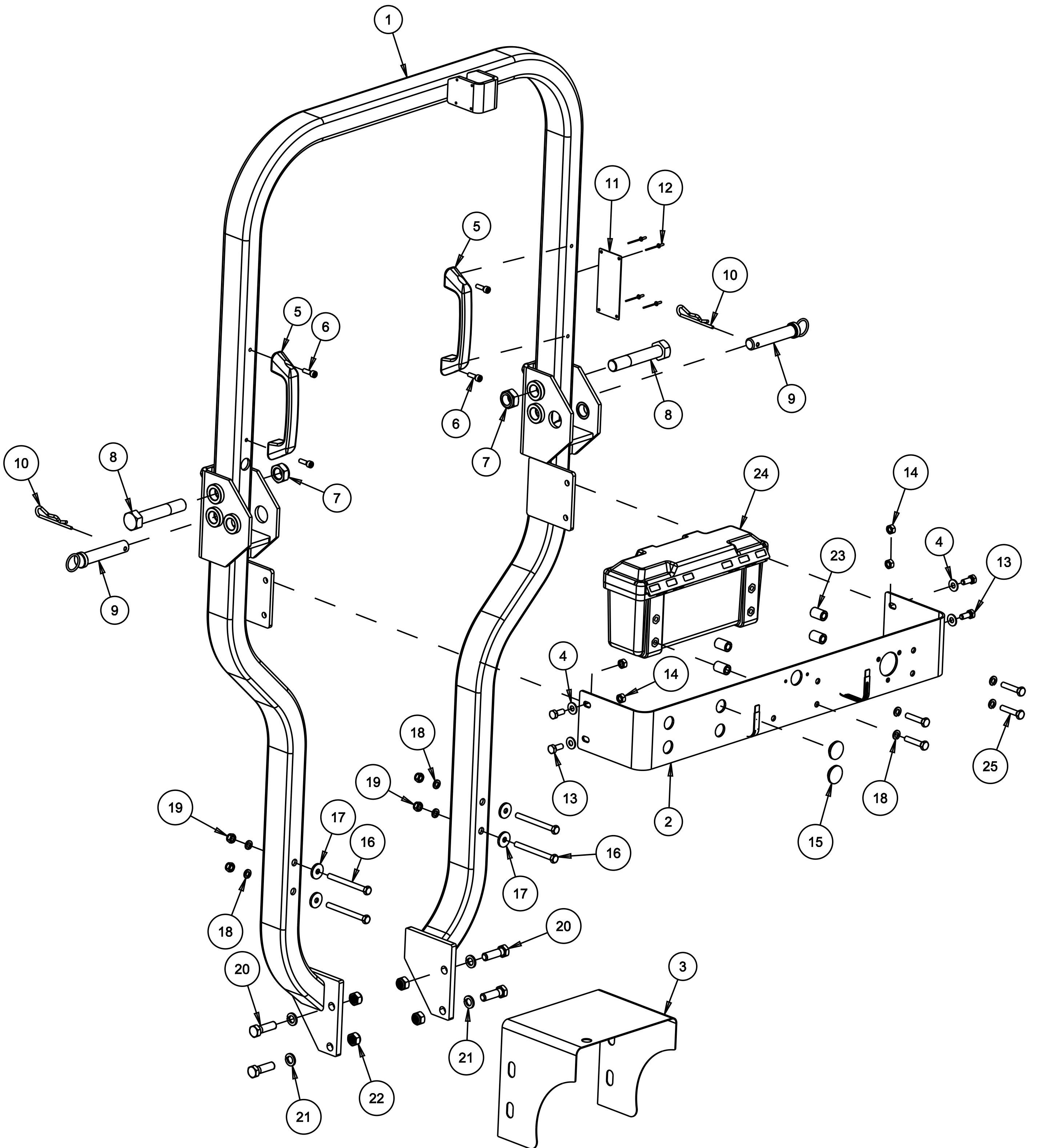
MODEL :- 283, 283 NT

ASSY. NO.:-11305670

SR. NO.	PART NO.	DESCRIPTION	QTY.	REMARKS
1	11203123	BRACKET FENDER MOUNTING	1	
2	11405365	SEAT ASSY.(SIETZ)	1	
3	11402998	TOOL BOX ASSEMBLY	1	
4	11501068	PLAIN WASHER Ø8.5XØ19X1.5	4	
5	11500052	SPRING WASHER 8mm	4	
6	11500067	HEX. BOLT M8x20 (F.T)	4	
7	11400497	REFLECTOR TRI-ANGLE	1	
8	11201535	RUBBER WAHSER Ø9xØ22x3.5	2	
9	11500485	PLAIN WASHER Ø6.5 X Ø23 X 1.5	2	
10	11500195	HEX. BOLT M6x25 (F.T.)8.8	2	
11	11501826	SPRING WASHER - 14mm	4	
12	11505404	ALLEN BOLT M14x25 (F.T.)	4	
13	11500080	PLAIN WASHER Ø12.5xØ26x3	3	
14	11500015	HEX. BOLT M12x25 (F.T) 8.8	3	
15	11205622	TOP LINK HOLDER	1	
16	11500073	SPRING WASHER - 6 mm	2	
17	11500881	ALLEN BOLT M6x20 (F.T.)	2	

ROPS ASSEMBLY

MODEL - 263

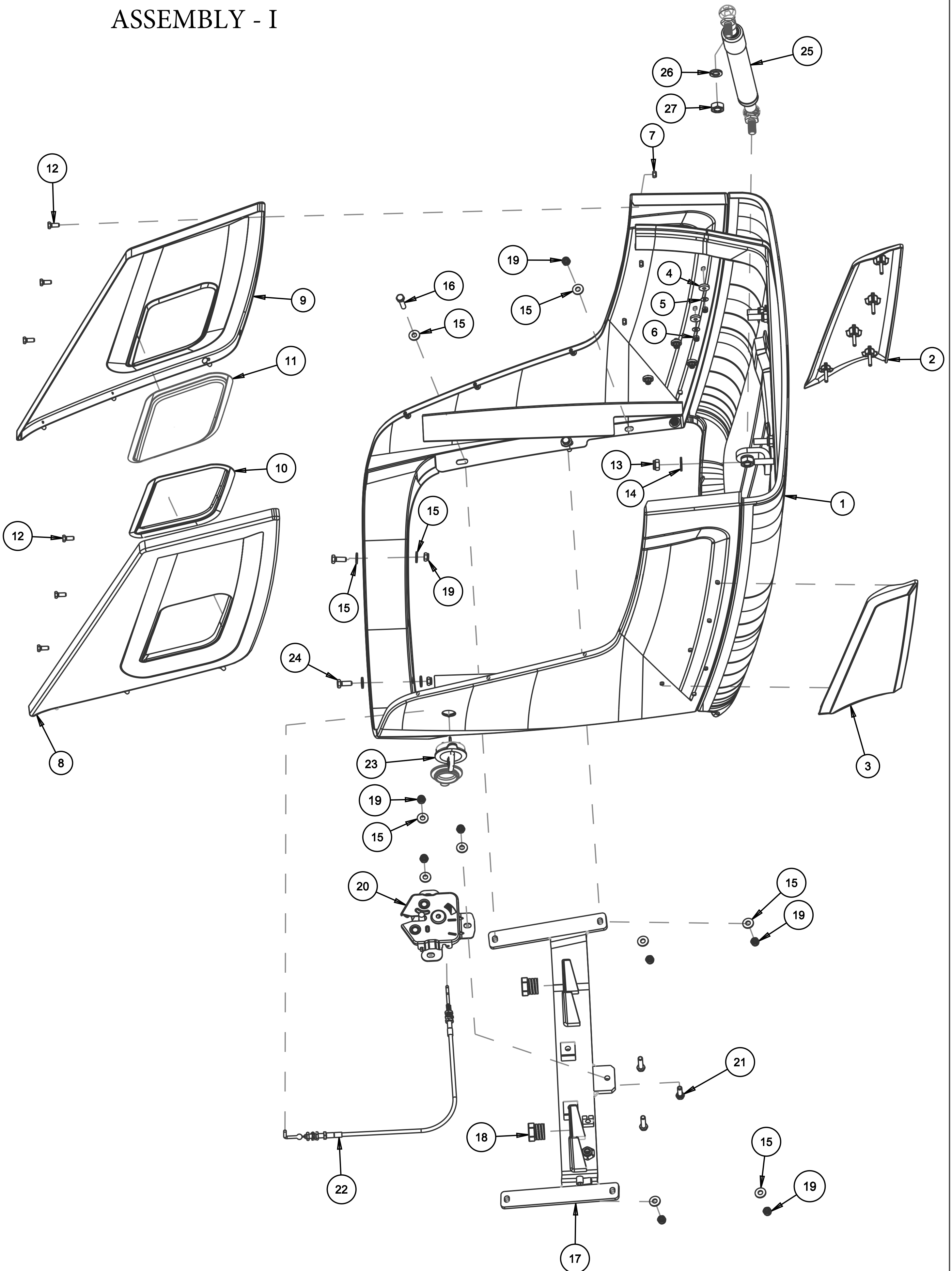


ROPS ASSEMBLY
MODEL :- 263
ASSY. NO.:-11305592

SR. NO.	PART NO.	DESCRIPTION	QTY.	REMARKS
1	11305017	ROPS (263)	1	
2	11204705	PLATE, QRC (273)	1	
3	11205351	POWER TAKE OFF MASTER SHIELD	1	
4	11501068	PLAIN WASHER Ø8.5XØ19X1.5	4	
5	11202086	HANDLE GRIP, FENDER	2	
6	11500881	ALLEN BOLT M6x20 (F.T.)	4	
7	11500160	NYLOCK HEX. NUT 3/4" UNF (16 TPI)	2	
8	11505106	SPECIAL BOLT - ROPS	2	
9	11202236	HITCH PIN, ROPS	2	
10	11202237	CLIP PIN, Ø4	2	
11	11205298	IDENTIFICATION PLATE ROPS (00070U5S)	1	
12	11501460	BLIND ALLUMINIUM RIVET Ø0.125"x0.422"	4	
13	11500067	HEX. BOLT M8x20 (F.T)	4	
14	11500082	HEX. NUT M8	4	
15	11202308	RUBBER SEAL BOTTOM, GUARD	2	
16	11505394	HEX. BOLT M8 X 85 (10.9)	4	
17	11500712	PLAIN WASHER Ø8xØ25x3	4	
18	11500052	SPRING WASHER - 8mm	8	
19	11500520	NYLOCK HEX NUT M8	4	
20	11501772	HEX. BOLT M12x40 (H.T.)- GRADE- 12.9 / 10.9	4	
21	11500118	SPRING WASHER 12 mm	4	
22	11501024	NYLOCK HEX. NUT M12	4	
23	11205430	SPACER (Ø9xØ16x24)	4	
24	11402998	TOOL BOX ASSEMBLY	1	
25	11500809	HEX. BOLT M8x40 (F.T.) 8.8	4	

**BONNET AND FRONT MESH
ASSEMBLY - I**

MODEL - 263

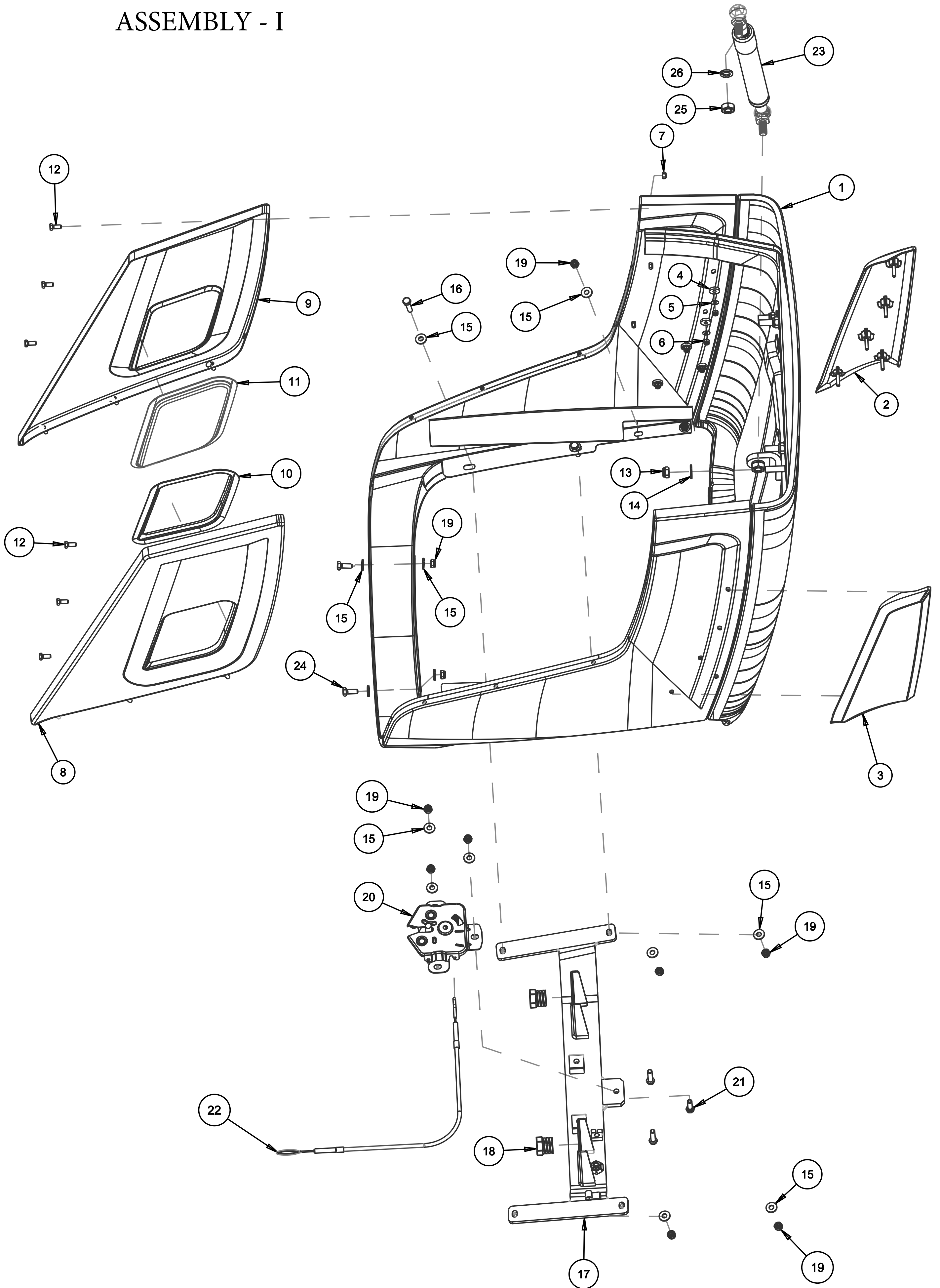


BONNET & FRONT MESH ASSEMBLY 1
MODEL :- 263
ASSY. NO.:-11305547

SR. NO.	PART NO.	DESCRIPTION	QTY.	REMARKS
1	11205184	BONNET-8G	1	
2	11205192	BRAND PANEL BONNET LH	1	
3	11205193	BRAND PANEL BONNET RH	1	
4	11505200	RUBBER WASHER Ø4.5xØ14x3	10	
5	11503166	PLAIN WASHER Ø4 x Ø10 x 0.5	10	
6	11505137	NYLOCK HEX. NUT M4	10	
7	11500931	NYLOCK HEX. NUT M5	12	
8	11205194	BONNET SIDE RH	1	
9	11205195	BONNET SIDE LH	1	
10	11205196	BONNET SIDE GRILL RH	1	
11	11205197	BONNET SIDE GRILL LH	1	
12	11501034	HEX. BOLT M5x12 (F.T.) 8.8	12	
13	11500520	NYLOCK HEX NUT M8	4	
14	11501068	PLAIN WASHER Ø8.5XØ19X1.5	4	
15	11501015	PLAIN WASHER Ø6.5xØ15x1.5	19	
16	11500195	HEX. BOLT M6x25 (F.T.)8.8	6	
17	11204996	BRACKET LOCK MOUTING	1	
18	11202147	RUBBER GROMET BONNET TOP	2	
19	11500947	NYLOCK NUT M6	13	
20	11405011	LATCH COMP HOOD	1	
21	11500426	HEX. BOLT M6x20 (F.T)8.8	1	
22	11405012	CABLE LATCH COMP HOOD	1	
23	11402771	LOCK BONNET WITH KEY	1	
24	11500071	HEX. BOLT M6x15 (F.T.)8.8	2	
25	11203214	AUTO LIFT GAS SPRINGS	1	
26	11500062	SPRING WASHER - 10mm	2	
27	11500024	HEX. NUT M10	2	

**BONNET AND FRONT MESH
ASSEMBLY - I**

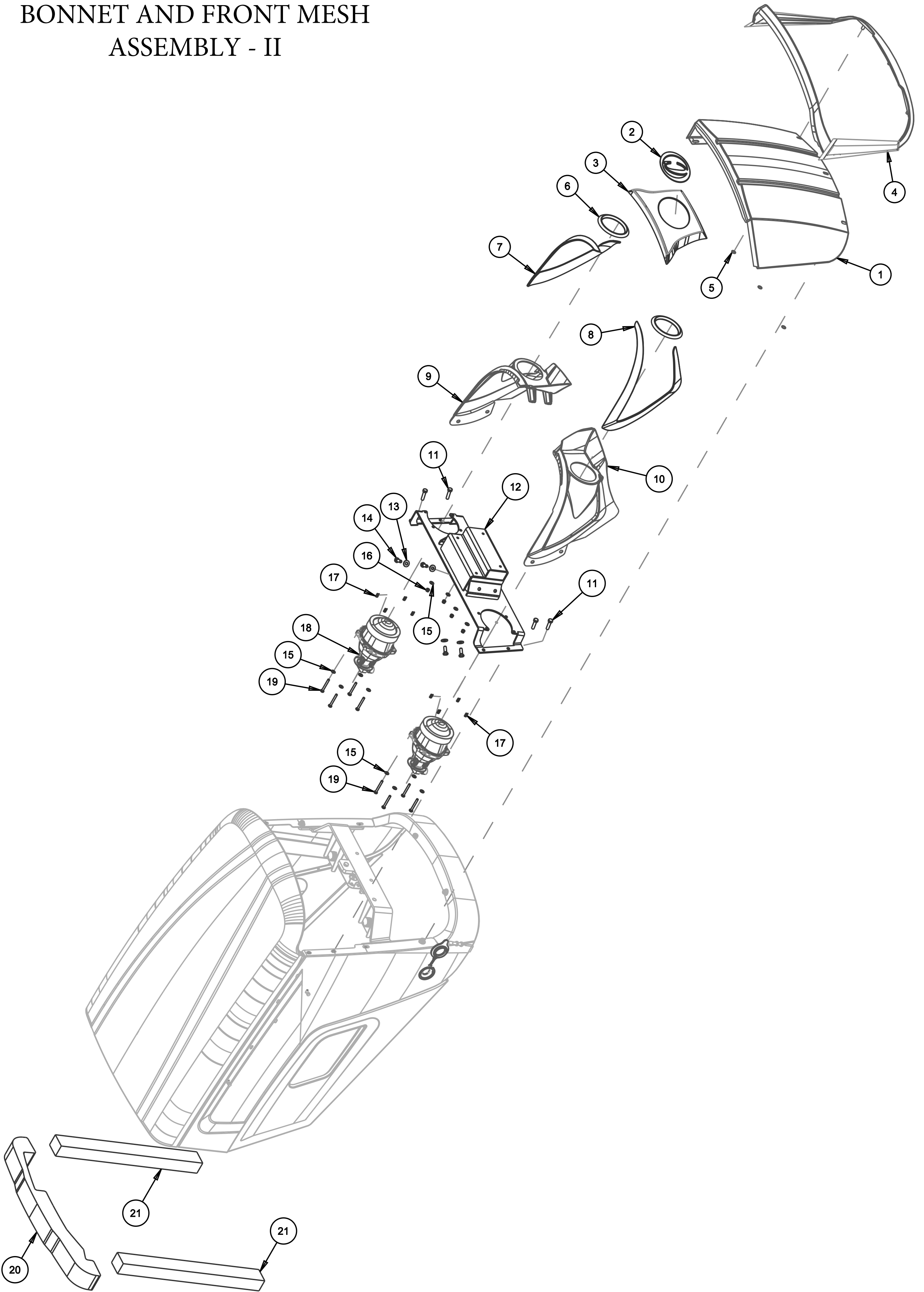
MODEL - 283



BONNET & FRONT MESH ASSEMBLY 1
MODEL :- 283, 283 NT
ASSY. NO.:-11305684

SR. NO.	PART NO.	DESCRIPTION	QTY.	REMARKS
1	11205639	BONNET - 8G	1	
2	11205192	BRAND PANEL BONNET LH	1	
3	11205193	BRAND PANEL BONNET RH	1	
4	11505200	RUBBER WASHER Ø4.5xØ14x3	10	
5	11503166	PLAIN WASHER Ø4 x Ø10 x 0.5	10	
6	11505137	NYLOCK HEX. NUT M4	10	
7	11500931	NYLOCK HEX. NUT M5	12	
8	11205194	BONNET SIDE RH	1	
9	11205195	BONNET SIDE LH	1	
10	11205196	BONNET SIDE GRILL RH	1	
11	11205197	BONNET SIDE GRILL LH	1	
12	11501034	HEX. BOLT M5x12 (F.T.) 8.8	12	
13	11500520	NYLOCK HEX NUT M8	4	
14	11501068	PLAIN WASHER Ø8.5XØ19X1.5	4	
15	11501015	PLAIN WASHER Ø6.5xØ15x1.5	19	
16	11500195	HEX. BOLT M6x25 (F.T.)8.8	6	
17	11204996	BRACKET LOCK MOUTING	1	
18	11202147	RUBBER GROMET BONNET TOP	2	
19	11500947	NYLOCK NUT M6	13	
20	11405011	LATCH COMP HOOD	1	
21	11500426	HEX. BOLT M6x20 (F.T)8.8	1	
22	11405369	CABLE LATCH COMP HOOD	1	
23	11203214	AUTO LIFT GAS SPRINGS	1	
24	11500071	HEX. BOLT M6x15 (F.T.)8.8	2	
25	11500024	HEX. NUT M10	2	
26	11500062	SPRING WASHER - 10mm	2	

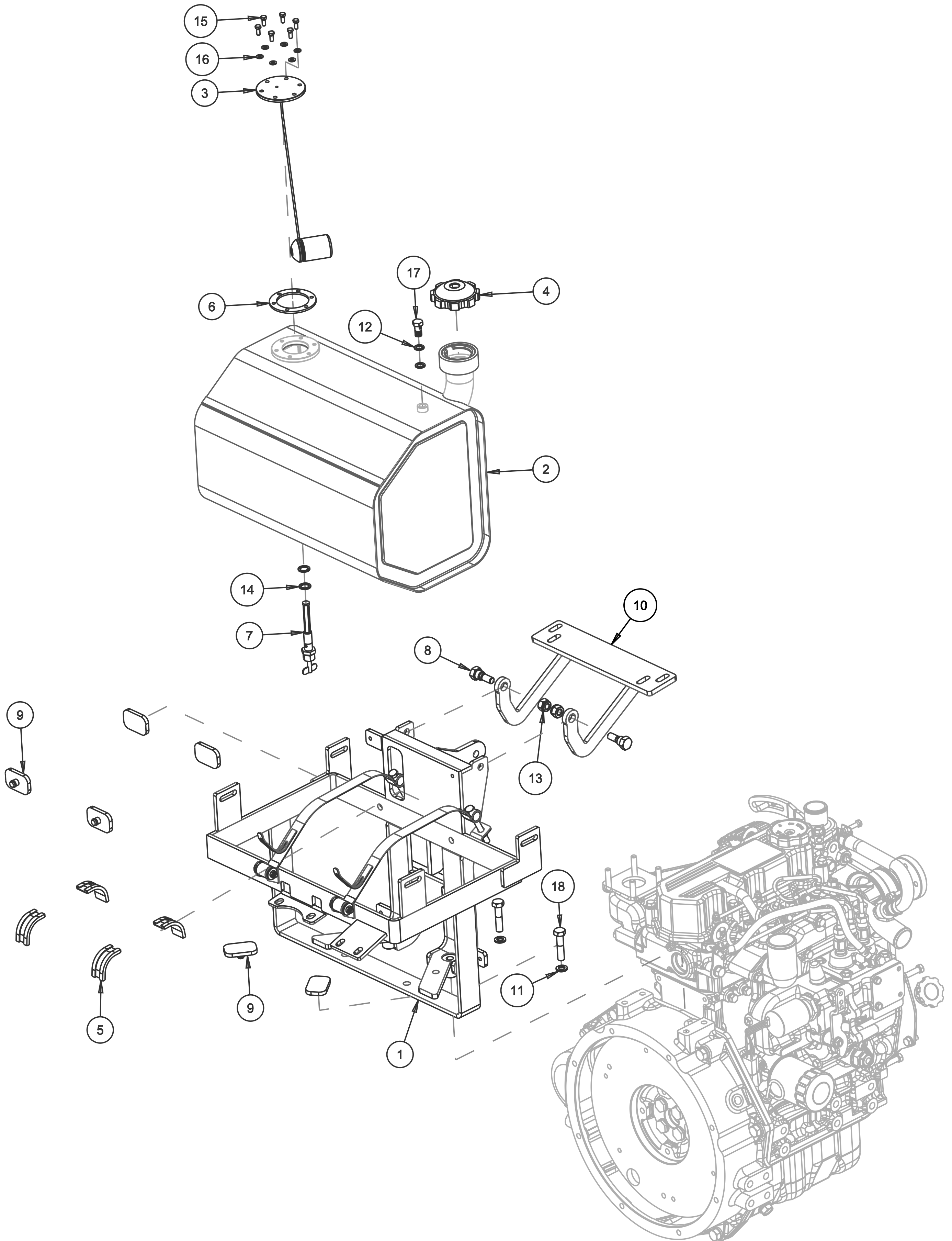
BONNET AND FRONT MESH ASSEMBLY - II



BONNET & FRONT MESH ASSEMBLY 2

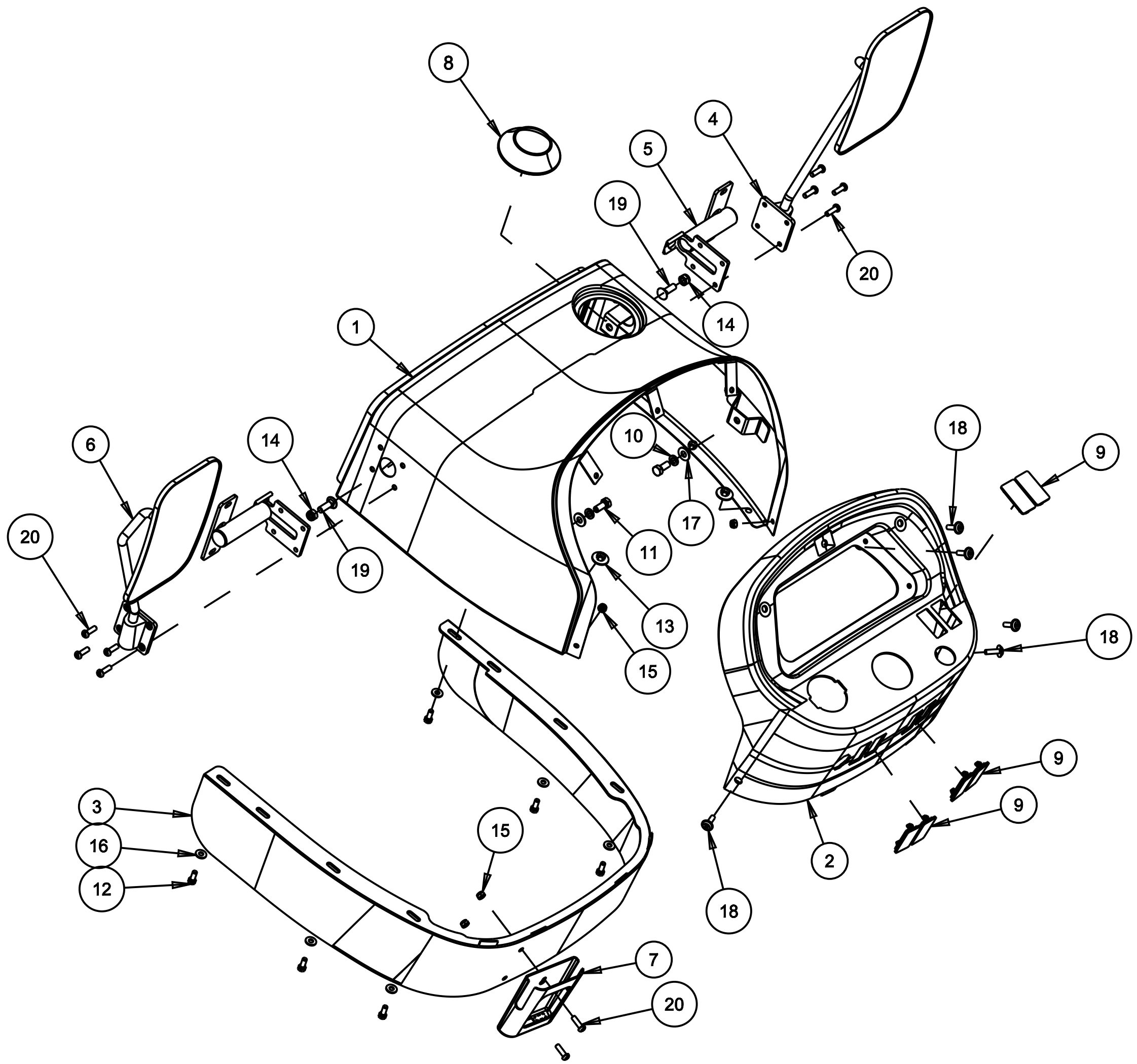
MODEL :- 263, 283, 283 NT			ASSY. NO.:-11305548	
SR. NO.	PART NO.	DESCRIPTION	QTY.	REMARKS
1	11205187	FRONT GRILL - 8G	1	
2	11203258	""3D ""C"" EMBLEM"	1	
3	11205186	LOGO PANEL	1	
4	11205188	BORDER FRONT GRILL	1	
5	11505189	STAR LOCK WASHER Ø5	3	
6	11205267	RING HAND LAMP COVER	2	
7	11205396	BORDER HEAD LAMP COVER LH	1	
8	11205397	BORDER HEAD LAMP COVER RH	1	
9	11205190	HEAD LAMP COVER LH	1	
10	11205191	HEAD LAMP COVER RH	1	
11	11500195	HEX. BOLT M6x25 (F.T.)8.8	4	
12	11205185	BRACKET HEAD LIGHT ASSEMBLY	1	
13	11501015	PLAIN WASHER Ø6.5xØ15x1.5	12	
14	11500071	HEX. BOLT M6x15 (F.T.)8.8	4	
15	11503166	PLAIN WASHER Ø4 x Ø10 x 0.5	13	
16	11505137	NYLOCK HEX. NUT M4	5	
17	11205199	SPRING HEAD LIGHT	8	
18	11405010	M60 LOW BEAM	2	
19	11505201	SCREW M4 x 35	8	
20	11205110	FOAM RADIATOR TOP SEALING	1	
21	11205112	FOAM RADIATOR SIDE SEALING (LH & RH)	2	

FUEL TANK CAGE



FUEL TANK CAGE

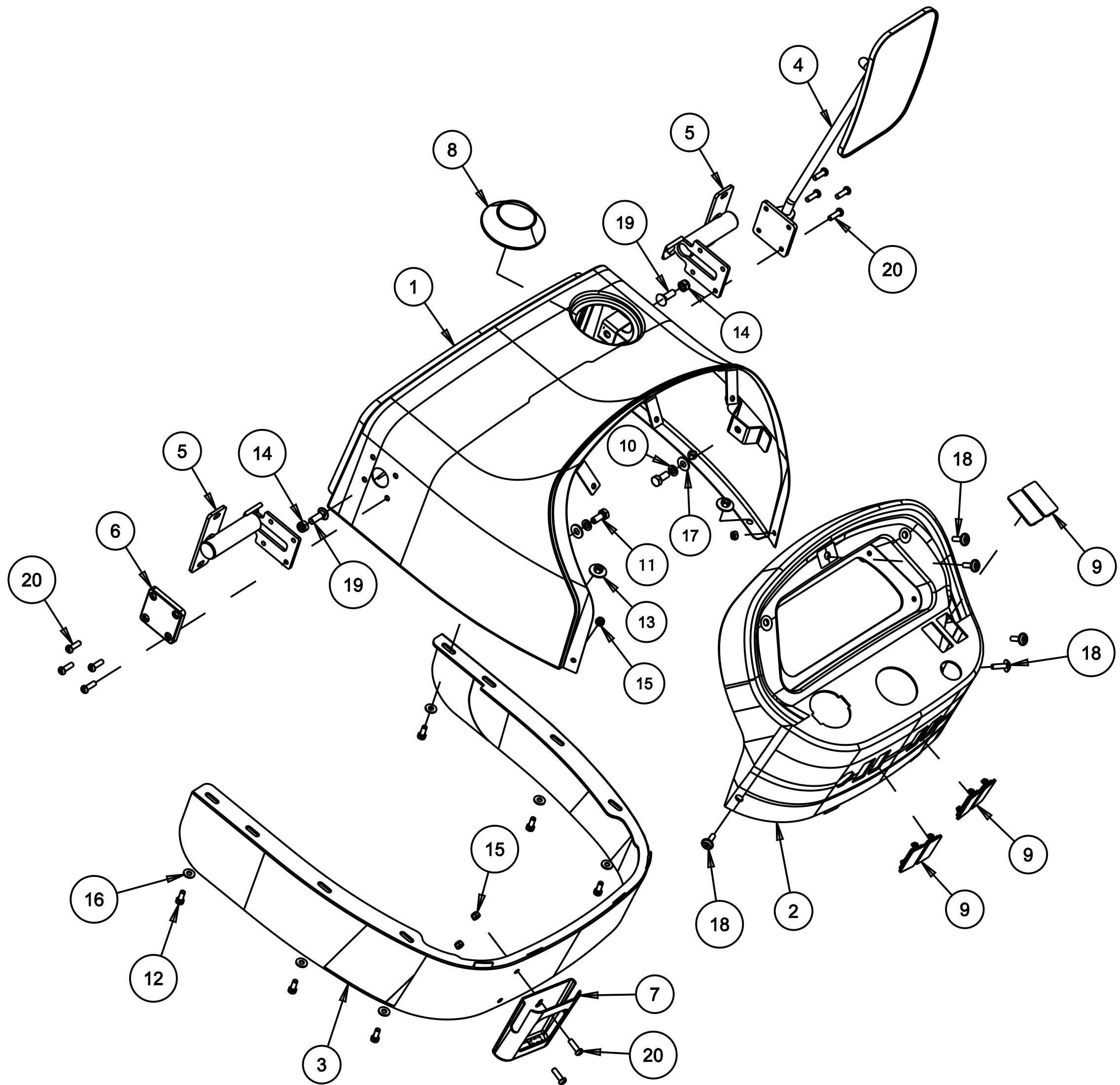
MODEL :- 263, 283, 283 NT			ASSY. NO.:-11305574	
SR. NO.	PART NO.	DESCRIPTION	QTY.	REMARKS
1	11205385	CAGE, FUEL TANK	1	
2	11205366	FUEL TANK (239)	1	
3	11401032	FUEL TANK UNIT	1	
4	11405503	FUEL TANK CAP 239	1	
5	11200857	RUBBER PIECES FOR FUEL TANK CLAMP	4	
6	11201033	GASKET FUEL GAUGE	1	
7	11201854	COCK FUEL (WITH FILTER)	1	
8	11204757	SPECIAL BOLT, HINGE MOUTING	2	
9	11204845	RUBBER PAD, FUEL TANK CAGE	6	
10	11205294	HINGE, BONNET	1	
11	11500062	SPRING WASHER 10 mm	2	
12	11500654	COPPER WASHER 10mm (15x10x1.5)	2	
13	11500676	NYLOCK HEX. NUT M10	2	
14	11500783	COPPER WASHER Ø13xØ18x1.5	2	
15	11501034	HEX. BOLT M5x12 (F.T.) 8.8	6	
16	11501207	SPRING WASHER 5 mm	6	
17	11501846	BANJO BOLT M10	1	
18	11505035	HEX.BOLT 10x45x1.25P(H.T)	2	



DASH BOARD ASSEMBLY

MODEL :- 263
ASSY. NO.:-11305553

SR. NO.	PART NO.	DESCRIPTION	QTY.	REMARKS
1	11205445	DASHBOARD_263	1	
2	11205126	INSTRUMENT PANEL	1	
3	11205127	SKIRT PANEL LONG	1	
4	11201979	MIRROR ASSEMBLY, RH	1	
5	11205166	BRACKET,FRONT LIGHT (LED)	2	
6	11202219	MIRROR ASSEMBLY, LH	1	
7	11201997	MOBILE POCKET	1	
8	11205665	RUBBER COVER FUEL TANK	1	
9	11405027	DUMMY SWITCH PLUG	6	QTY:- AR
10	11500052	SPRING WASHER - 8mm	2	
11	11500067	HEX. BOLT M8X20 (F.T)	2	
12	11500071	HEX. BOLT M6x16	6	
13	11500485	PLAIN WASHER Ø6.5 X Ø23 X 1.5	2	
14	11500520	NYLOCK HEX NUT M8	2	
15	11500947	NYLOCK NUT M6	4	
16	11501015	PLAIN WASHER Ø6.5xØ15x1.5	6	
17	11501068	PLAIN WASHER Ø8.5XØ19X1.5	2	
18	11502174	M6 X 20 ROUND HEAD SCREW WITH COLLAR	5	
19	11505009	CARRIAGE BOLT M8X1.25	2	
20	11505389	PAN HEAD SCREW M6 x 20	10	



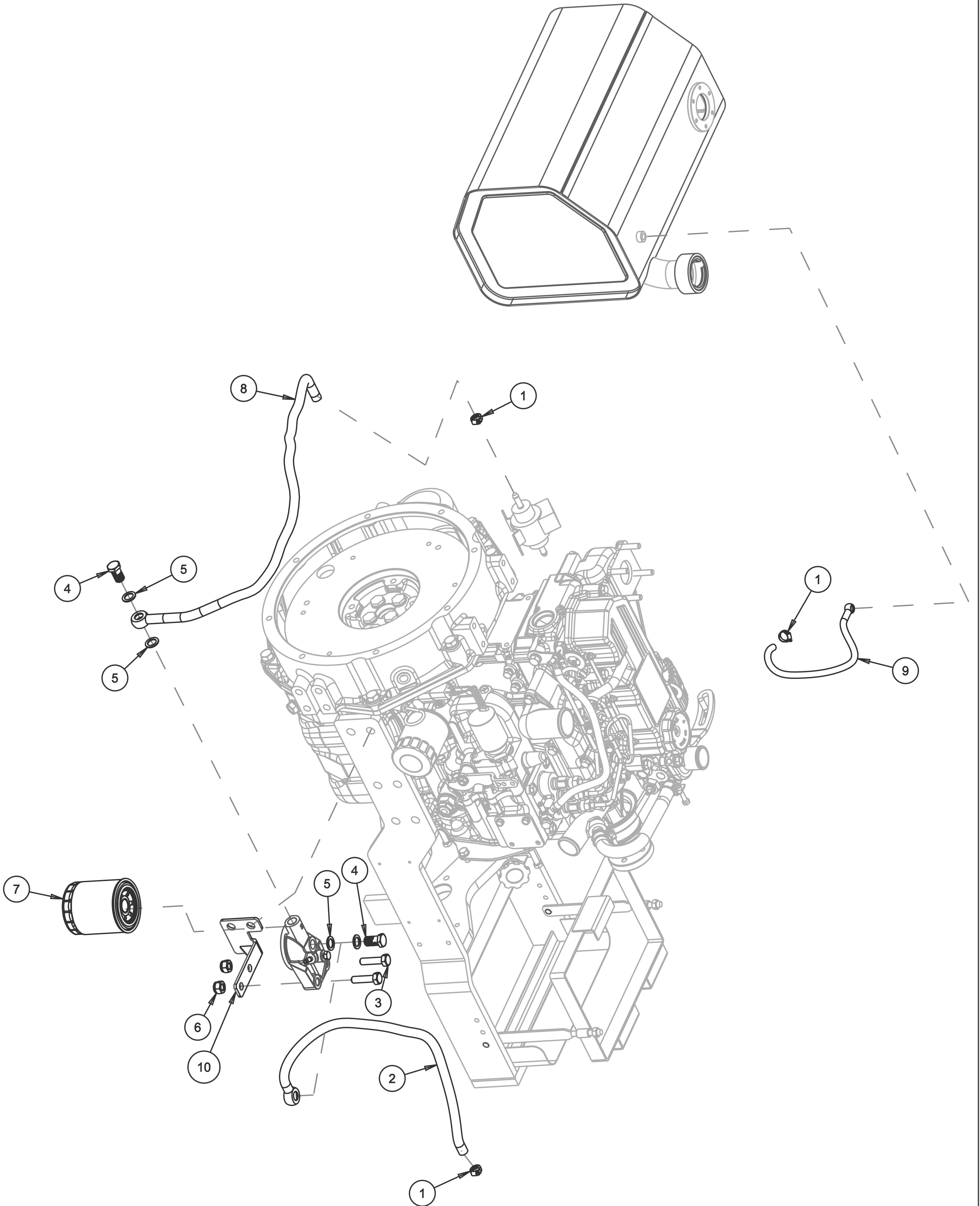
DASH BOARD ASSEMBLY

MODEL :- 283, 283 NT

ASSY. NO.:-11305668

SR. NO.	PART NO.	DESCRIPTION	QTY.	REMARKS
1	11205445	DASHBOARD_263	1	
2	11205126	INSTRUMENT PANEL	1	
3	11205127	SKIRT PANEL LONG	1	
4	11201979	MIRROR ASSEMBLY, RH	1	
5	11205166	BRACKET,FRONT LIGHT (LED)	2	
6	11205055	DUMMY PLUG MIRROR	1	
7	11201997	MOBILE POCKET	1	
8	11205665	RUBBER COVER FUEL TANK	1	
9	11405027	DUMMY SWITCH PLUG	6	QTY:- AR
10	11500052	SPRING WASHER - 8mm	2	
11	11500067	HEX. BOLT M8X20 (F.T)	2	
12	11500071	HEX. BOLT M6x16	6	
13	11500485	PLAIN WASHER Ø6.5 X Ø23 X 1.5	2	
14	11500520	NYLOCK HEX NUT M8	2	
15	11500947	NYLOCK NUT M6	4	
16	11501015	PLAIN WASHER Ø6.5xØ15x1.5	6	
17	11501068	PLAIN WASHER Ø8.5XØ19X1.5	2	
18	11502174	M6 X 20 ROUND HEAD SCREW WITH COLLAR	5	
19	11505009	CARRIAGE BOLT M8X1.25	2	
20	11505389	PAN HEAD SCREW M6 x 20	10	

FUEL PUMP PIPE - I

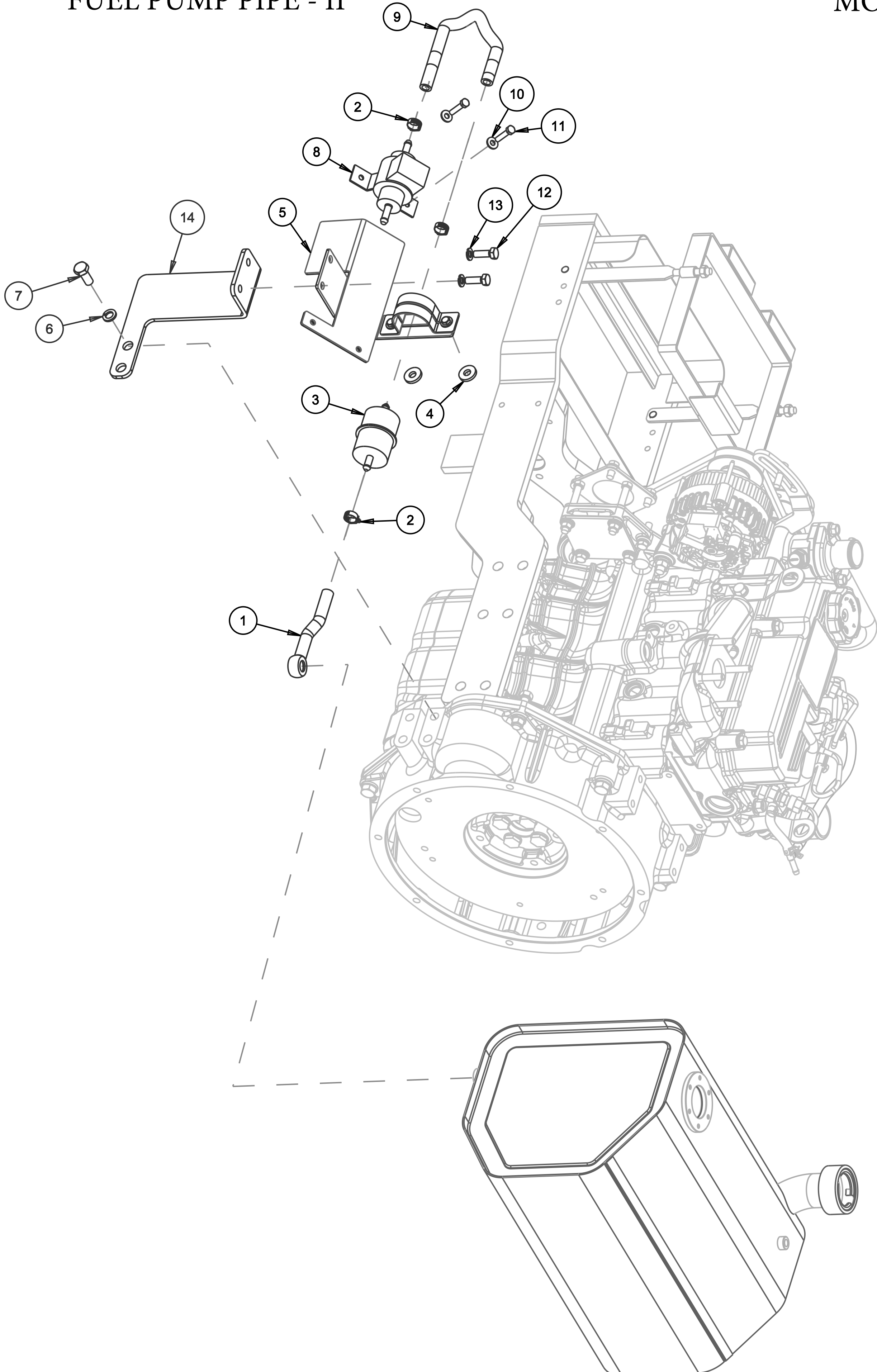


FUEL PUMP PIPE-1
MODEL :- 263, 283, 283 NT
ASSY. NO.:- 11305573

SR. NO.	PART NO.	DESCRIPTION	QTY.	REMARKS
1	11201848	CLAMP OVER FLOW PIPE	3	
2	11203021	PIPE FUEL FILTER TO FIP (273)	1	
3	11501863	HEX. BOLT M10X40 (F.T.)10.9	2	
4	11500461	BANJO BOLT M14	2	
5	11500462	COPPER WASHER Ø14xØ21x1.5	4	
6	11500676	NYLOCK HEX. NUT M10	2	
7	39204422	SPINION FUEL FILTER W/0 HEAD	1	
8	11202497	PIPE FUEL (725L)	1	
9	11202764	OVERFLOW PIPE (410L)	1	
10	11202435	BRACKET, FUEL FILTER (273)	1	

FUEL PUMP PIPE - II

MODEL - 283

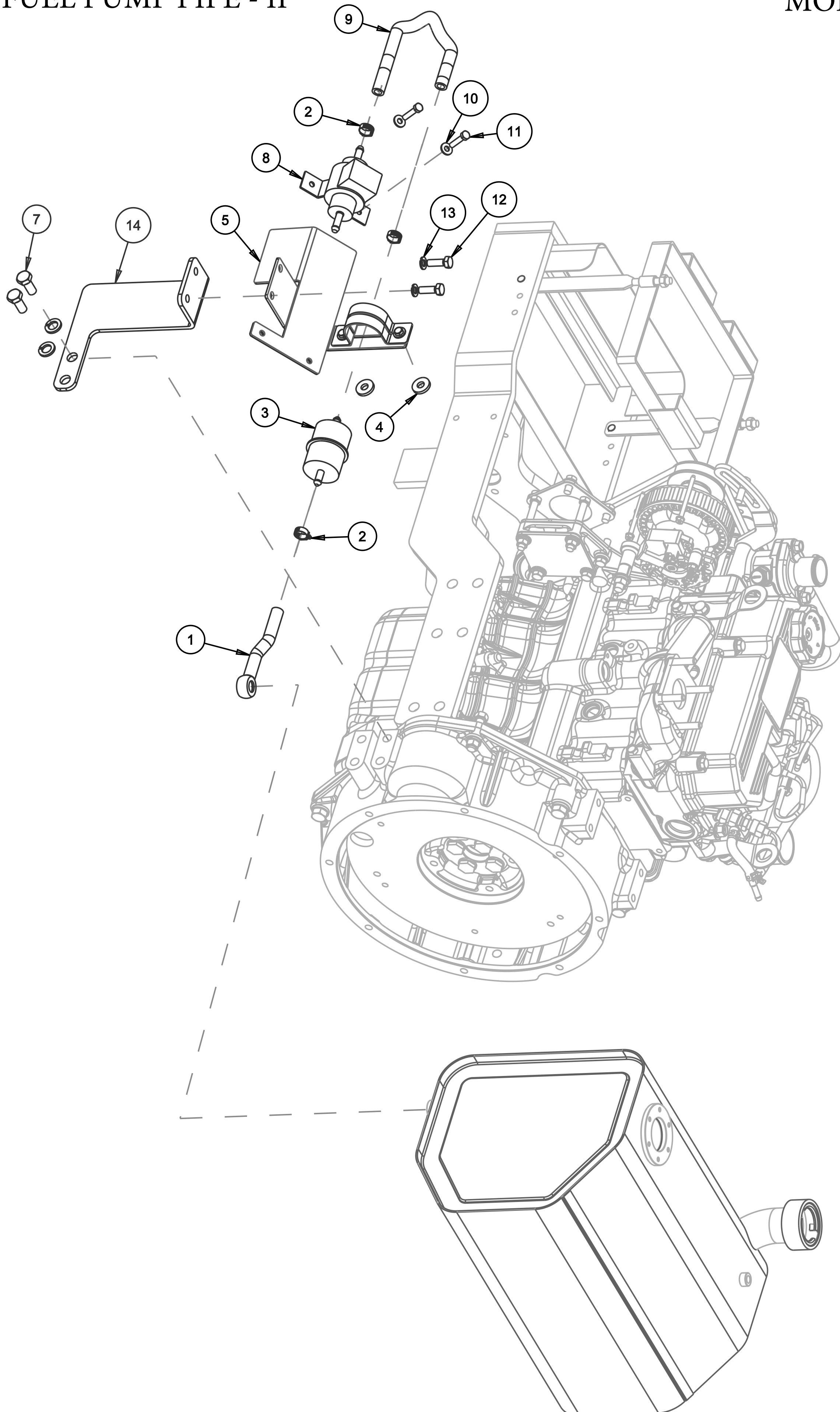


FUEL PUMP PIPE 2
MODEL :- 283, 283 NT
ASSY. NO.:-11305716

SR. NO.	PART NO.	DESCRIPTION	QTY.	REMARKS
1	11205163	PIPE, FUEL TANK TO PRE FILTER (115L)	1	
2	11201848	CLAMP OVER FLOW PIPE	3	
3	39204421	PRE FILTER	1	
4	11201535	RUBBER WAHSER Ø9xØ22x3.5	2	
5	11205287	BRACKET, FUEL FEED PUMP	1	
6	11500062	SPRING WASHER 10 mm	1	
7	11505319	HEX.BOLT M10X25X1.25P	1	
8	39205109	FUEL PUMP ASSY	1	
9	11205162	PIPE,FUEL PRE FILTER TO FEED PUMP (200 L)	1	
10	11501015	PLAIN WASHER Ø6.5xØ15x1.5	2	
11	11500484	HEX. BOLT M6 X 12 (F.T.)	2	
12	11500051	HEX. BOLT M8 X 25 (F.T.)	2	
13	11500052	SPRING WASHER - 8mm	2	
14	11205157	BRACKET FILTER MOUNTING	1	

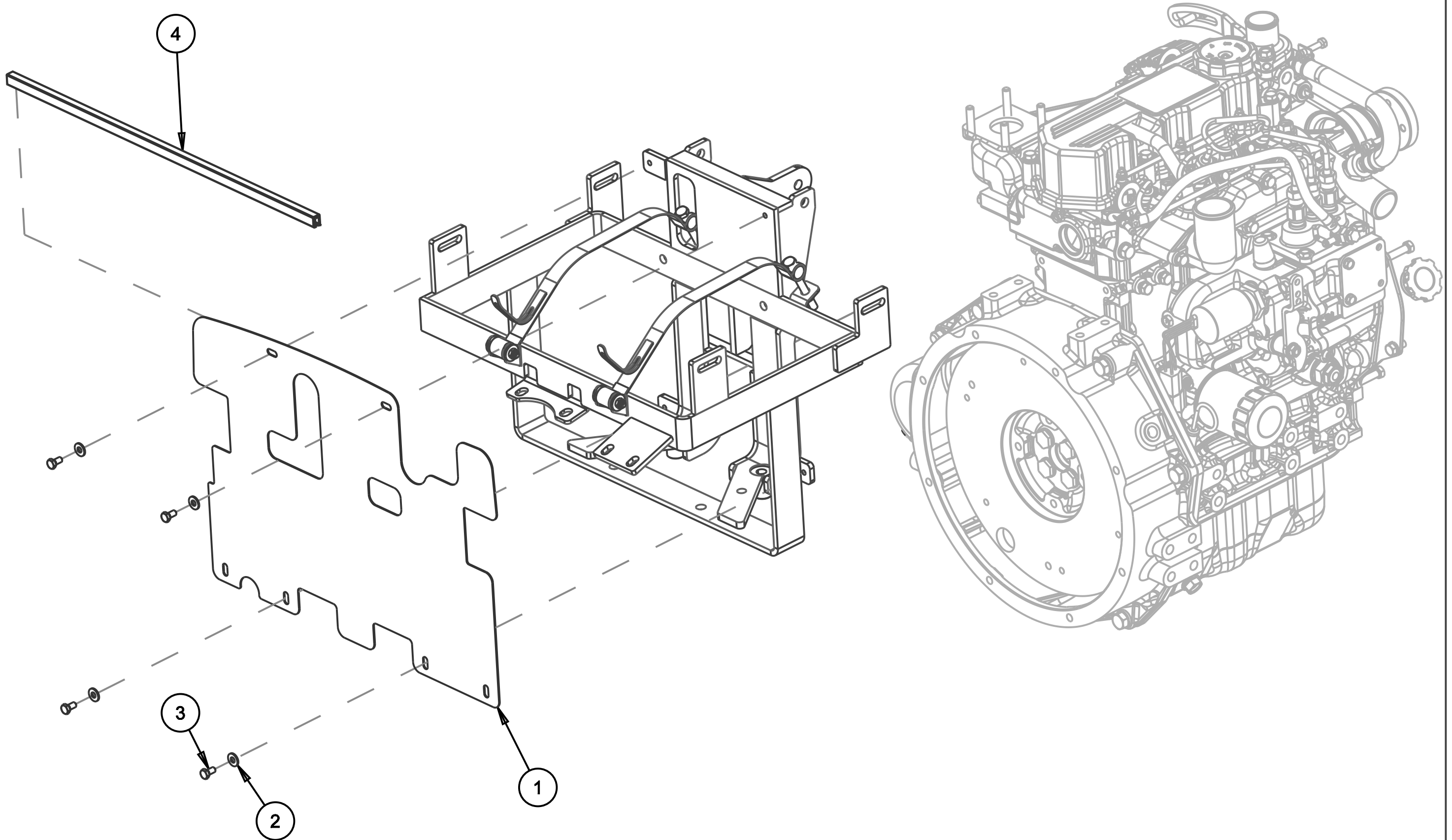
FUEL PUMP PIPE - II

MODEL - 263



FUEL PUMP PIPE 2
MODEL :- 263
ASSY. NO.:-11305572

SR. NO.	PART NO.	DESCRIPTION	QTY.	REMARKS
1	11205163	PIPE, FUEL TANK TO PRE FILTER (115L)	1	
2	11201848	CLAMP OVER FLOW PIPE	3	
3	39204421	PRE FILTER	1	
4	11201535	RUBBER WAHSER Ø9xØ22x3.5	2	
5	11205287	BRACKET, FUEL FEED PUMP	1	
6	11500118	SPRING WASHER 12 mm	2	
7	11505319	HEX.BOLT M12X25X1.25P	2	
8	39205109	FUEL PUMP ASSY	1	
9	11205162	PIPE,FUEL PRE FILTER TO FEED PUMP (200 L)	1	
10	11501015	PLAIN WASHER Ø6.5xØ15x1.5	2	
11	11500484	HEX. BOLT M6 X 12 (F.T.)	2	
12	11500051	HEX. BOLT M8 X 25 (F.T.)	2	
13	11500052	SPRING WASHER - 8mm	2	
14	11205157	BRACKET FILTER MOUNTING	1	



HEAT GUARD SEALING ASSY

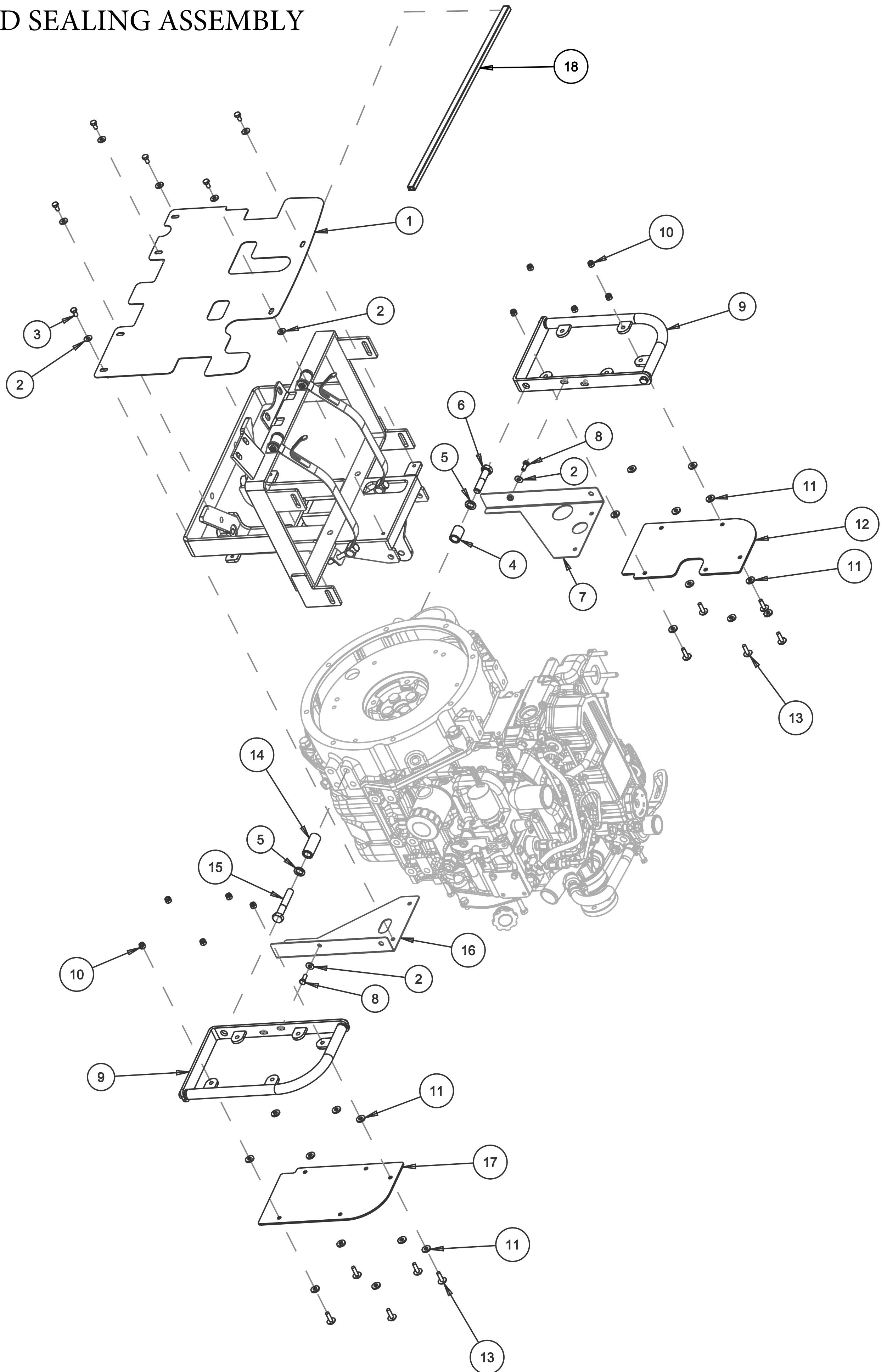
MODEL :- 263

ASSY. NO.:-11305576

SR. NO.	PART NO.	DESCRIPTION	QTY.	REMARKS
1	11205409	SEALING PLATE	1	
2	11501015	PLAIN WASHER Ø6.5xØ15x1.5	4	
3	11500484	HEX. BOLT M6 X 12 (F.T.)	4	
4	11205675	RUBBER GRIP CAGE	1	

PROPELLER SHAFT HEAT GUARD SEALING ASSEMBLY

MODEL - 283

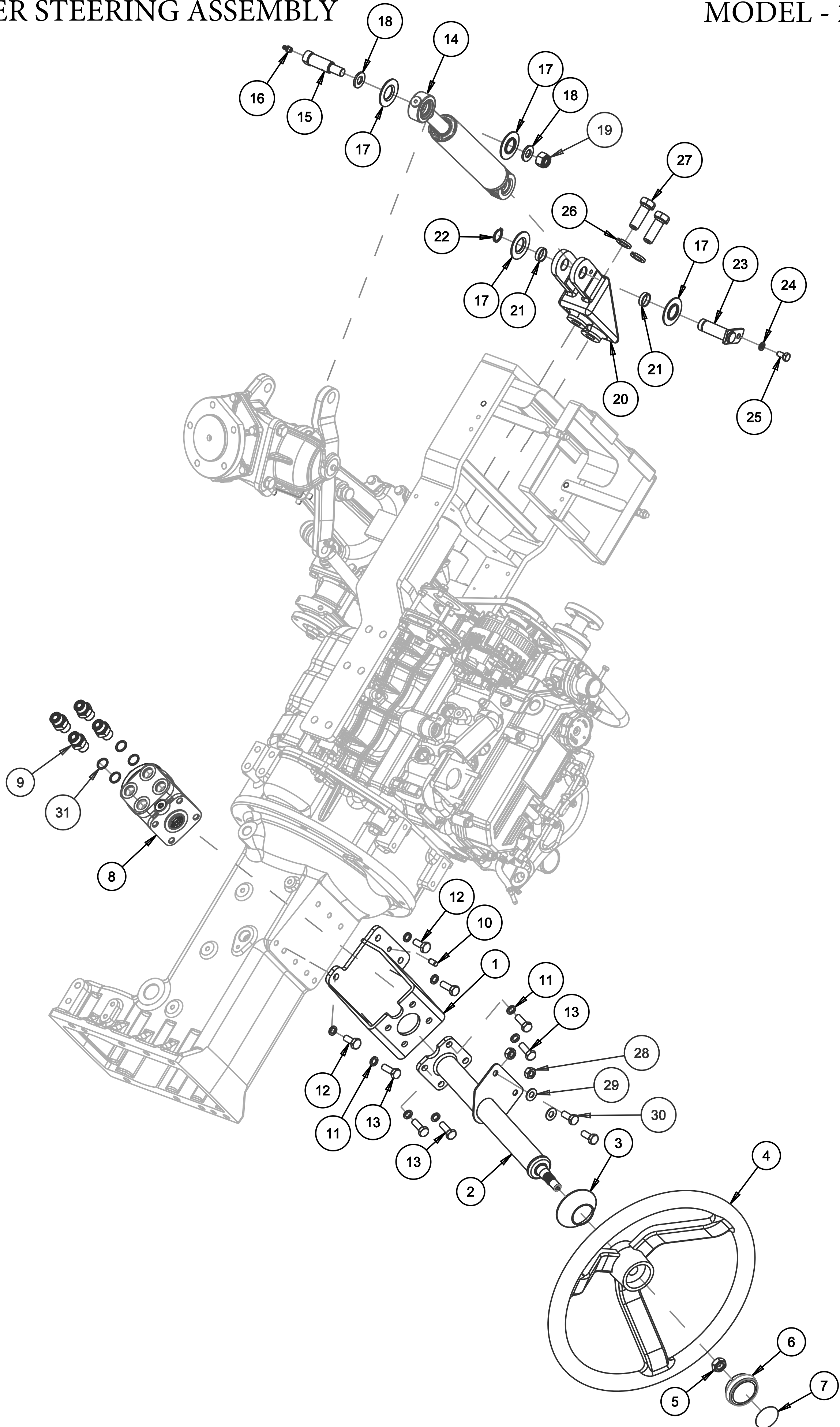


HEAT GUARD SEALING ASSY
MODEL :- 283, 283 NT
ASSY. NO.:-11305661

SR. NO.	PART NO.	DESCRIPTION	QTY.	REMARKS
1	11205409	SEALING PLATE	1	
2	11501015	PLAIN WASHER Ø6.5xØ15x1.5	9	
3	11500484	HEX. BOLT M6 X 12 (F.T.)	6	
4	11205288	SPACER(Ø13xØ20x26.5)	1	
5	11500118	SPRING WASHER 12 mm	2	
6	11505290	HEX BOLT M12 x 55 (1.25P)8.8	1	
7	11205342	CAGE SEALING LH	1	
8	11500071	HEX. BOLT M6x16	2	
9	11205295	HEAT GUARD ASSY	2	
10	11500947	NYLOCK NUT M6	10	
11	11205292	RUBBER WASHER Ø7xØ16x2.5	20	
12	11205297	ACRYLIC SHEET LH	1	
13	11502174	M6 X 20 ROUND HEAD SCREW WITH COLLAR	10	
14	11205289	SPACER(Ø13xØ20x47.5)	1	
15	11505291	HEX BOLT M12 x 70 (1.25P)8.8	1	
16	11205343	CAGE SEALING RH	1	
17	11205296	ACRYLIC SHEET RH	1	
18	11205675	RUBBER GRIP CAGE	1	

POWER STEERING ASSEMBLY

MODEL - 26 & 283

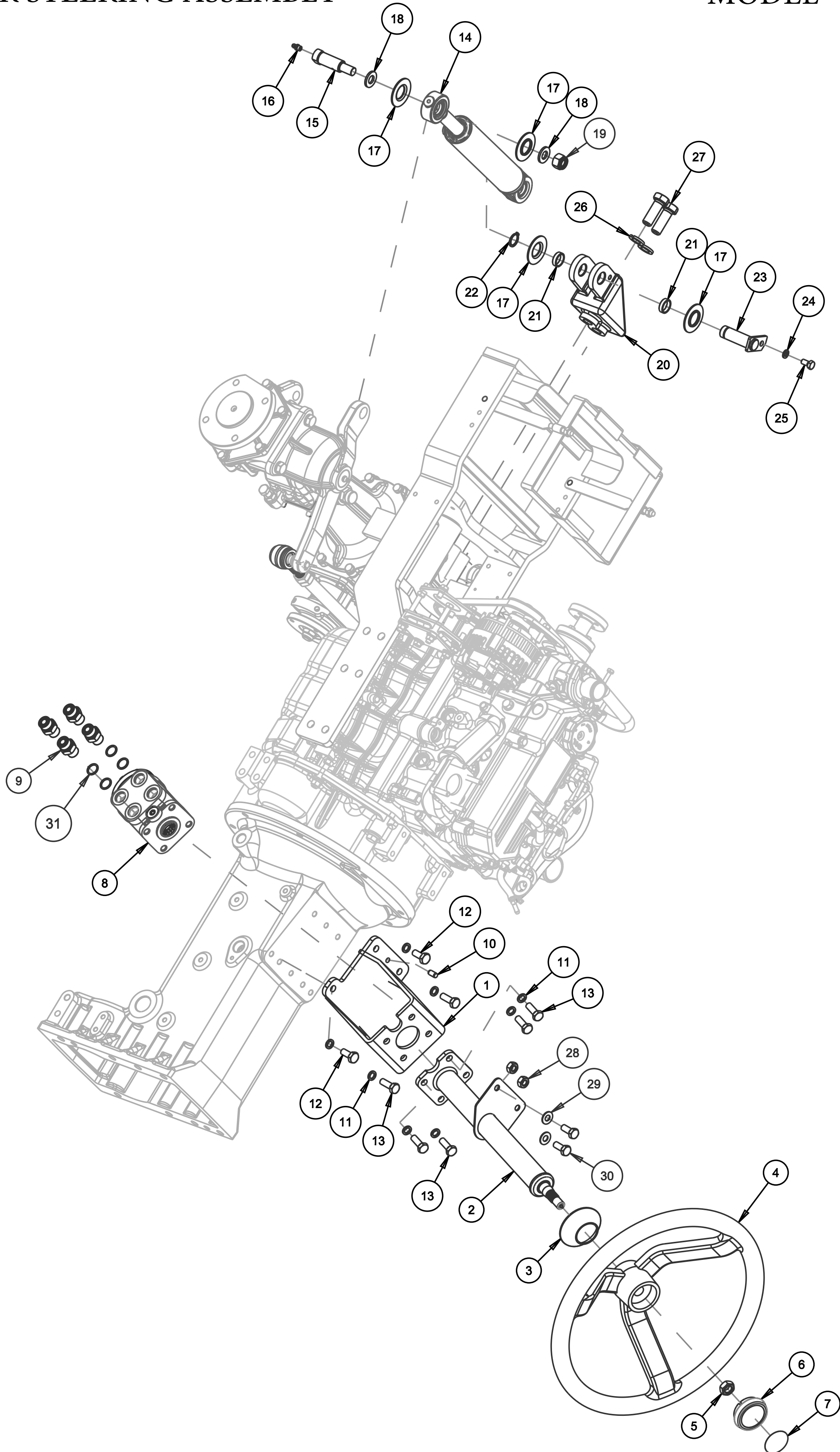


POWER STEERING ASSEMBLY

MODEL :- 263, 283			ASSY. NO.:-11305587	
SR. NO.	PART NO.	DESCRIPTION	QTY.	REMARKS
1	11205090	BRACKET HSU MTG.	1	
2	11205091	STEERING COLUMN ASSY.	1	
3	11200610	RUBBER COVER, STEERING	1	
4	11401984	STEERING CONTROL WHEEL	1	
5	11501822	NUT M14 X 1.5 P	1	
6	11201484	CAP STEERING CONTROL WHEEL	1	
7	11201737	STICKER CAP STEERING WHEEL	1	
8	11404900	HYDROSTATIC STEERING UNIT (50 cc)	1	
9	11205326	NIPPLE 3/4" UNF x 13/16" UN	4	
10	11200119	PIN, DOWEL Ø8 X 16	1	
11	11500062	SPRING WASHER 10mm	8	
12	11500156	HEX. BOLT M10X25 (F.T.)	2	
13	11504704	HEX BOLT M10 x 30 (F.T)10.9	6	
14	11404902	STEERING CYLINDER	1	
15	11205098	PIN DIA-Ø20	1	
16	11502088	GREASE NIPPLE M8x1	1	
17	11205095	RUBBER PAD FOR SPACER	4	
18	11205097	SPACER_ Ø14XØ28X3	2	
19	11505318	NYLOCK HEX. NUT M14 X 1.5	1	
20	11205086	CYLINDER MOUNTING BRACKET	1	
21	11205096	SPACER CYLINDER	2	
22	11503297	CIRCLIP,EXTERNAL Ø20x1.75	1	
23	11205093	LOCKING PIN	1	
24	11500052	SPRING WASHER - 8mm	1	
25	11500076	HEX. BOLT M8X16 (F.T.)	1	
26	21504529	SPRING WASHER 16mm	2	
27	11505099	HEX BOLT M16X1.5X45_10.9	2	
28	11500024	HEX NUT M10	2	
29	11500078	PLAIN WASHER Ø10.5xØ22x1.5	2	
30	11505319	HEX.BOLT M10X25X1.25P	2	
31	11505717	O-RING Ø 16.36 X Ø 2.21	4	

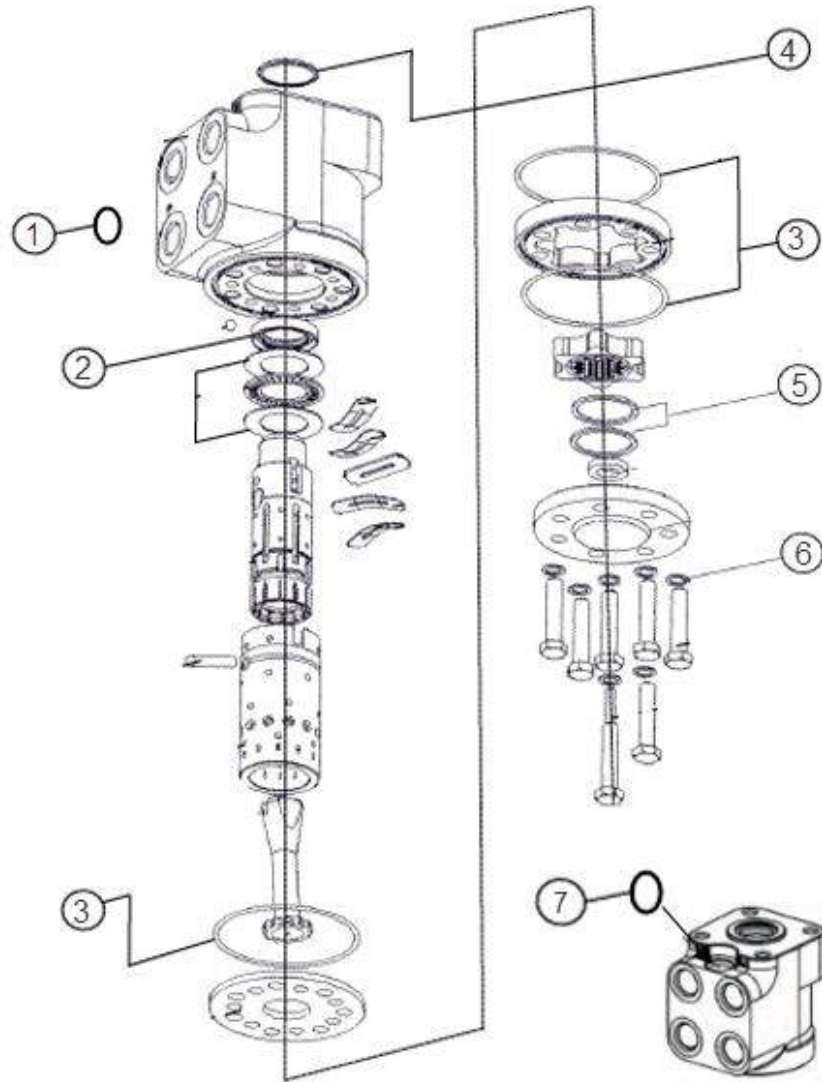
POWER STEERING ASSEMBLY

MODEL - 283 - NT

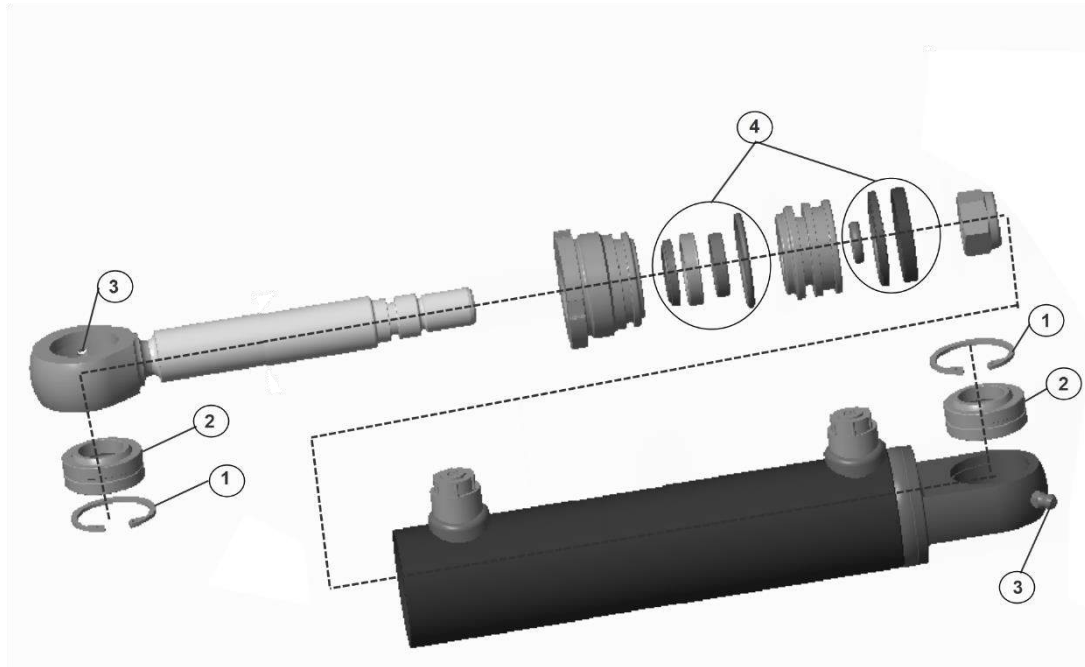


POWER STEERING ASSEMBLY
MODEL :- 283 NT
ASSY. NO.:-11305734

SR. NO.	PART NO.	DESCRIPTION	QTY.	REMARKS
1	11205090	BRACKET HSU MTG.	1	
2	11205091	STEERING COLUMN ASSY.	1	
3	11200610	RUBBER COVER, STEERING	1	
4	11401984	STEERING CONTROL WHEEL	1	
5	11501822	NUT M14 X 1.5 P	1	
6	11201484	CAP STEERING CONTROL WHEEL	1	
7	11201737	STICKER CAP STEERING WHEEL	1	
8	11404900	HYDROSTATIC STEERING UNIT (50 cc)	1	
9	11205326	NIPPLE 3/4" UNF x 13/16" UN	4	
10	11200119	PIN, DOWEL Ø8 X 16	1	
11	11500062	SPRING WASHER 10mm	8	
12	11500156	HEX. BOLT M10X25 (F.T.)	2	
13	11504704	HEX BOLT M10 x 30 (F.T)10.9	6	
14	11404902	STEERING CYLINDER	1	
15	11205098	PIN DIA-Ø20	1	
16	11502088	GREASE NIPPLE M8x1	1	
17	11205095	RUBBER PAD FOR SPACER	4	
18	11205097	SPACER_Ø14XØ28X3	2	
19	11505318	NYLOCK HEX. NUT M14 X 1.5	1	
20	11205535	CYLINDER MOUNTING BRACKET (NT)	1	
21	11205096	SPACER CYLINDER	2	
22	11503297	CIRCLIP,EXTERNAL Ø20x1.75	1	
23	11205093	LOCKING PIN	1	
24	11500052	SPRING WASHER - 8mm	1	
25	11500076	HEX. BOLT M8X16 (F.T.)	1	
26	21504529	SPRING WASHER 16mm	2	
27	11505099	HEX BOLT M16X1.5X45_10.9	2	
28	11500024	HEX NUT M10	2	
29	11500078	PLAIN WASHER Ø10.5xØ22x1.5	2	
30	11505319	HEX.BOLT M10X25X1.25P	2	
31	11505717	O-RING Ø 16.36 X Ø 2.21	4	



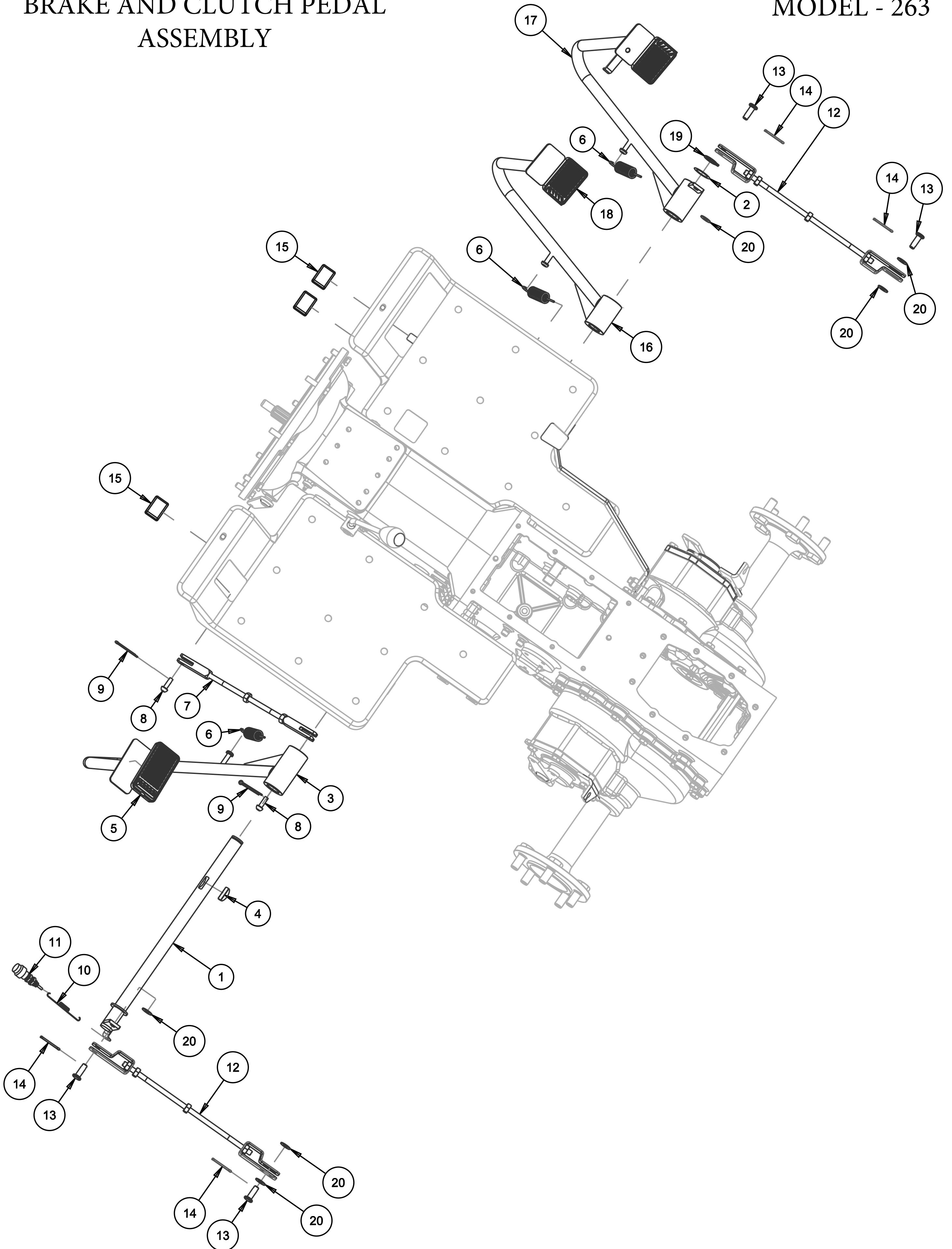
HYDROSTATIC STEERING UNIT (50CC) ASSEMBLY				
MODEL :- 263, 283, 283NT				ASSY. NO.:11305619
SR. NO.	PART NO.	DESCRIPTION	QTY	REMARKS
1	11405611	CHECK VALVE O-RING	1	
2	11405612	DOUBLE LIP SEAL	1	
3	11405613	O-RING – HOUSING AND STATOR	3	
4	11405614	DUST SEAL	1	
5	11405615	ROTOR FACE SEAL	1	
6	11405616	WASHER	7	
7	11405617	RELIEF VALVE TOP PLUG O-RING	1	



STEERING CYLINDER ASSEMBLY					
MODEL :- 263, 283, 283 NT				ASSY. NO.:-11305618	
SR. NO.	PART NO.	DESCRIPTION	QTY.	REMARKS	
1	11405607	INTERNAL CIRCLIP	2		
2	11405608	SPHERICAL BEARING	2		
3	11405609	GREASE NIPPLE	2		
4	11405610	SEAL KIT	1		

BRAKE AND CLUTCH PEDAL ASSEMBLY

MODEL - 263

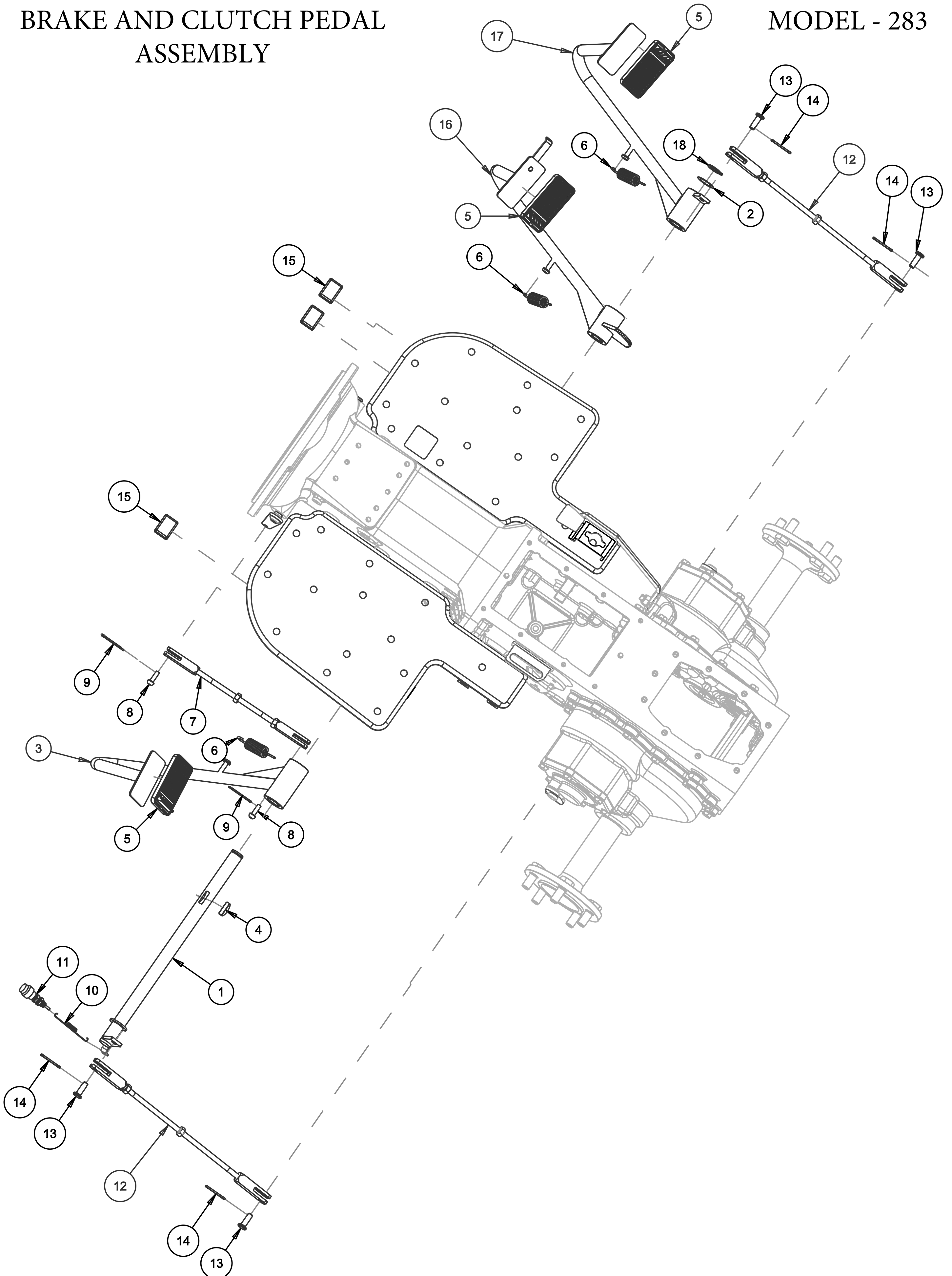


BRAKE & CLUTCH PEDAL ASSEMBLY
MODEL :- 263
ASSY. NO.:-11305549

SR. NO.	PART NO.	DESCRIPTION	QTY.	REMARKS
1	11302408	SHAFT, PEDAL	1	
2	11201520	SHIM Ø26xØ37x0.2	1	QTY:-AR
3	11205211	PEDAL - CLUTCH	1	
4	11202223	WOODRUFF KEY 8 X 13	1	
5	11203129	PEDAL RUBBER PAD	1	
6	11200335	SPRING L - 90	3	
7	11302449	LINK, CLUTCH	1	
8	11200066	PIN CLUTCH	2	
9	11500619	SPLIT PIN 3/32" x 1"	2	
10	11200547	SPRING FOR BRAKE LIGHT	1	
11	11401998	ASSEMBLY BRAKE SWITCH	1	
12	11205402	LINK - BRAKE	2	
13	11203251	PIN, BRAKE (OIB)	4	
14	11500357	SPLIT PIN 1/8" x 1.1/2"	4	
15	11202420	RUBBER DAMPER, PEDAL	3	
16	11205213	PEDAL - BRAKE LH	1	
17	11205212	PEDAL - BRAKE RH	1	
18	11205210	BRAKE PEDAL PAD	2	
19	11503273	CIRCLIP EXTERNAL Ø25X2	1	
20	11500078	PLAIN WASHER Ø10.5xØ22x1.5	6	

BRAKE AND CLUTCH PEDAL ASSEMBLY

MODEL - 283

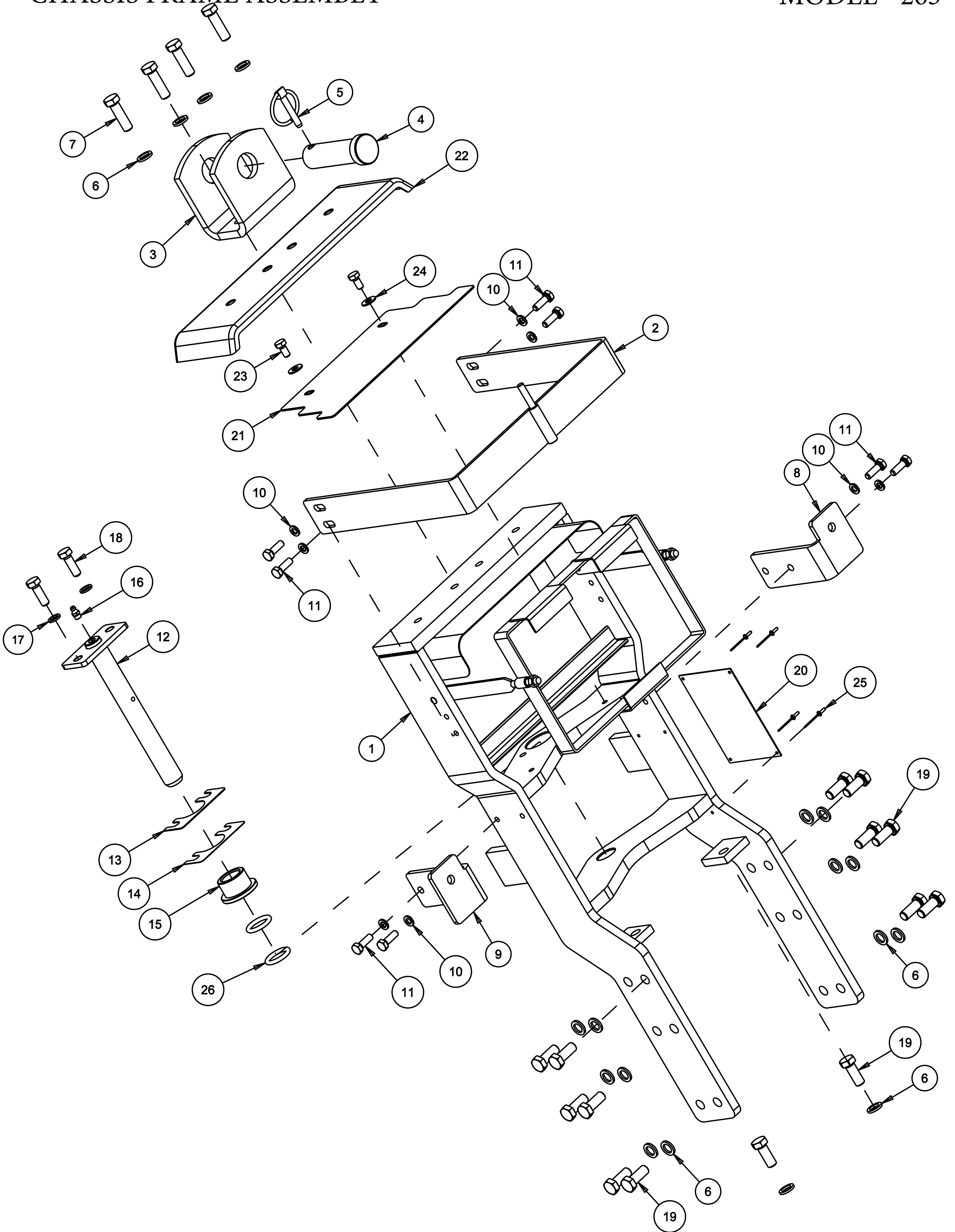


BRAKE & CLUTCH PEDAL ASSEMBLY

MODEL :- 283, 283 NT			ASSY. NO.:-11305667	
SR. NO.	PART NO.	DESCRIPTION	QTY.	REMARKS
1	11302408	SHAFT, PEDAL	1	
2	11201520	SHIM Ø26xØ37x0.2	1	QTY:-AR
3	11202417	PEDAL, CLUTCH	1	
4	11202223	WOODRUFF KEY 8 X 13	1	
5	11203129	PEDAL RUBBER PAD	3	
6	11200335	SPRING L - 90	3	
7	11302449	LINK, CLUTCH	1	
8	11200066	PIN CLUTCH	2	
9	11500619	SPLIT PIN 3/32" x 1"	2	
10	11200547	SPRING FOR BRAKE LIGHT	1	
11	11401998	ASSEMBLY BRAKE SWITCH	1	
12	11202403	LINK, BRAKE	2	
13	11203251	PIN, BRAKE (OIB)	4	
14	11500357	SPLIT PIN 1/8" x 1.1/2"	4	
15	11202420	RUBBER DAMPER, PEDAL	3	
16	11202419	PEDAL, BRAKE LH	1	
17	11202418	PEDAL BRAKE RH	1	
18	11503273	CIRCLIP EXTERNAL Ø25X2	1	

CHASSIS FRAME ASSEMBLY

MODEL - 263

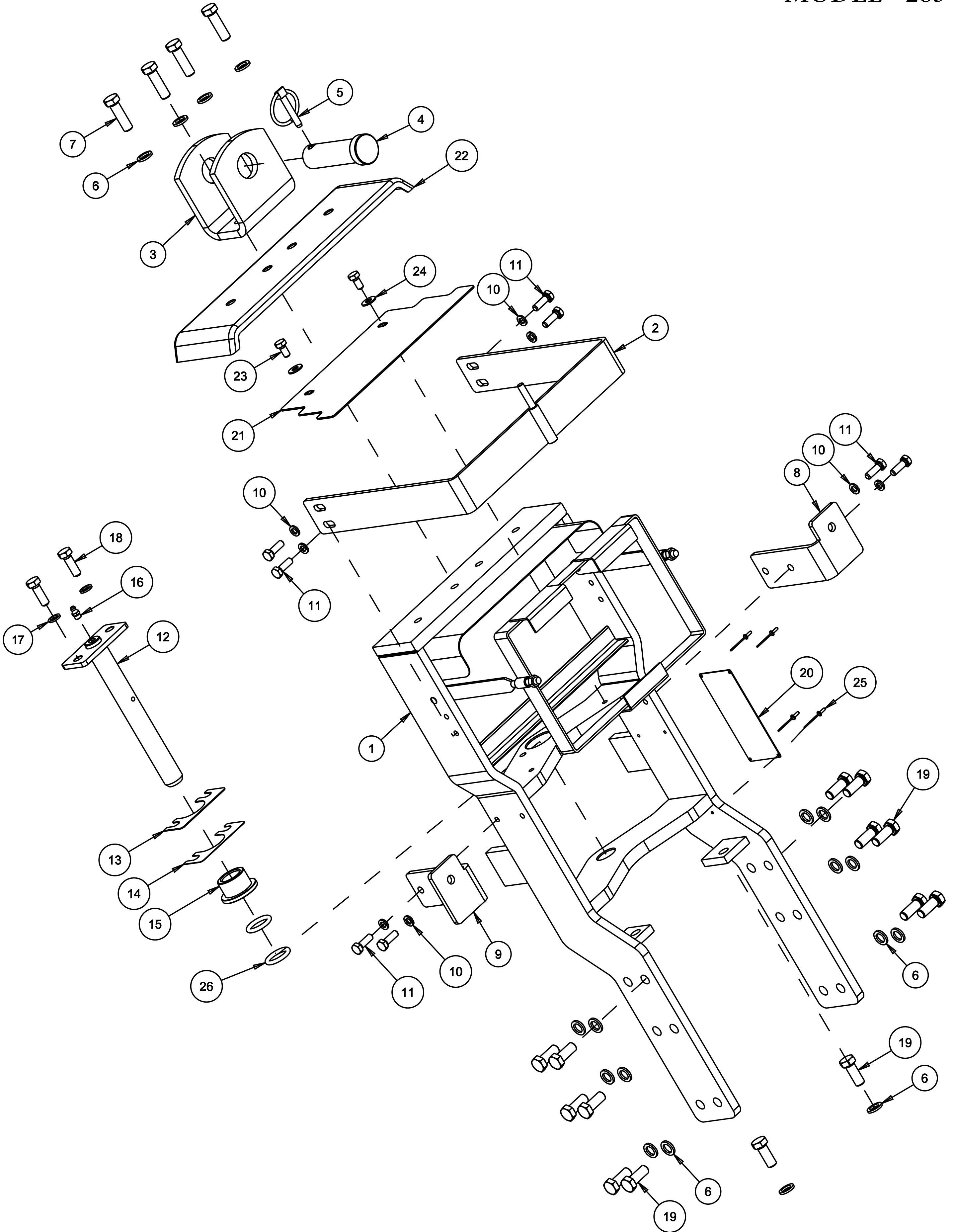


CHASIS FRAME ASSEMBLY
MODEL :- 263
ASSY. NO.:-11305550

SR. NO.	PART NO.	DESCRIPTION	QTY.	REMARKS
1	11205092	SUPPORT FRONT AXLE ASSY. (MVS3L2)	1	
2	11205100	BRACKET,BONNET SUPPORT	1	
3	11202216	FRONT COUPLING	1	
4	11202217	HITCH PIN, FRONT COUPLING	1	
5	11200590	LINCH PIN	1	
6	11500118	SPRING WASHER 12 mm	18	
7	11500307	HEX. BOLT M12X40 (H.T.)	4	
8	11205102	BRACKET FOR RADIATOR R.H.	1	
9	11205103	BRACKET FOR RADIATOR L.H.	1	
10	11500052	SPRING WASHER - 8mm	8	
11	11500051	HEX. BOLT M8 X 25 (F.T.)	8	
12	11202426	CENTER PIN (215 L)	1	
13	11202428	SHIM CENTER PIN (1MM)	1	QTY:- AR
14	11203020	SHIM CENTER PIN (0.5 MM)	1	QTY:- AR
15	11202427	BUSH CENTER PIN	1	
16	11502088	GREASE NIPPLE M8x1	1	
17	11500062	SPRING WASHER 10mm	2	
18	11500232	HEX. BOLT M10 X 30 (F.T.)	2	
19	11505347	HEX. BOLT M12 x 30 (1.25P)	14	
20	11202220	IDENTIFICATION PLATE	1	NOT FOR SALE
21	11205120	RADIATOR PLATE SEALING BOTTOM	1	
22	11205605	FRONT GUARD	1	
23	11500076	HEX. BOLT M8X16 (F.T.)	2	
24	11501068	PLAIN WASHER Ø8.5XØ19X1.5	2	
25	11501460	BLIND ALLUMINIUM RIVET Ø0.125"x0.422"	4	
26	11502272	O RING Ø25 X Ø5	2	

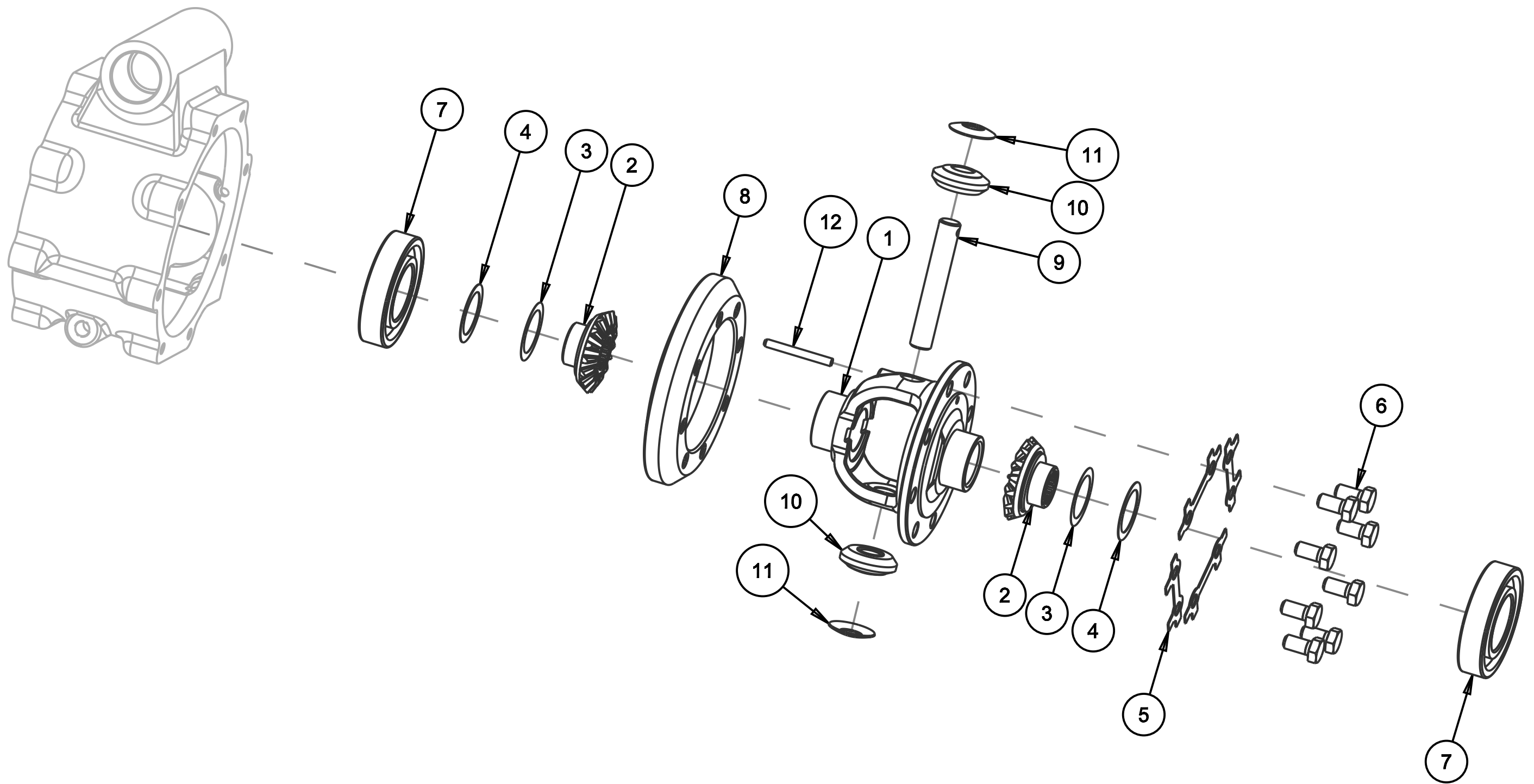
CHASSIS FRAME ASSEMBLY

MODEL - 283



CHASIS FRAME ASSEMBLY
MODEL :- 283, 283 NT
ASSY. NO.:-11305659

SR. NO.	PART NO.	DESCRIPTION	QTY.	REMARKS
1	11205092	SUPPORT FRONT AXLE ASSY. (MVS3L2)	1	
2	11205100	BRACKET,BONNET SUPPORT	1	
3	11202216	FRONT COUPLING	1	
4	11202217	HITCH PIN, FRONT COUPLING	1	
5	11200590	LINCH PIN	1	
6	11500118	SPRING WASHER 12 mm	18	
7	11500307	HEX. BOLT M12X40 (H.T.)	4	
8	11205102	BRACKET FOR RADIATOR R.H.	1	
9	11205103	BRACKET FOR RADIATOR L.H.	1	
10	11500052	SPRING WASHER - 8mm	8	
11	11500051	HEX. BOLT M8 X 25 (F.T.)	8	
12	11202426	CENTER PIN (215 L)	1	
13	11202428	SHIM CENTER PIN (1MM)	1	QTY:- AR
14	11203020	SHIM CENTER PIN (0.5 MM)	1	QTY:- AR
15	11202427	BUSH CENTER PIN	1	
16	11502088	GREASE NIPPLE M8x1	1	
17	11500062	SPRING WASHER 10mm	2	
18	11500232	HEX. BOLT M10 X 30 (F.T.)	2	
19	11505347	HEX. BOLT M12 x 30 (1.25P)	14	
20	11200620	IDENTIFICATION PLATE	1	NOT FOR SALE
21	11205120	RADIATOR PLATE SEALING BOTTOM	1	
22	11205605	FRONT GUARD	1	
23	11500076	HEX. BOLT M8X16 (F.T.)	2	
24	11501068	PLAIN WASHER Ø8.5XØ19X1.5	2	
25	11501460	BLIND ALLUMINIUM RIVET Ø0.125"x0.422"	4	
26	11502272	O RING Ø25 X Ø5	2	

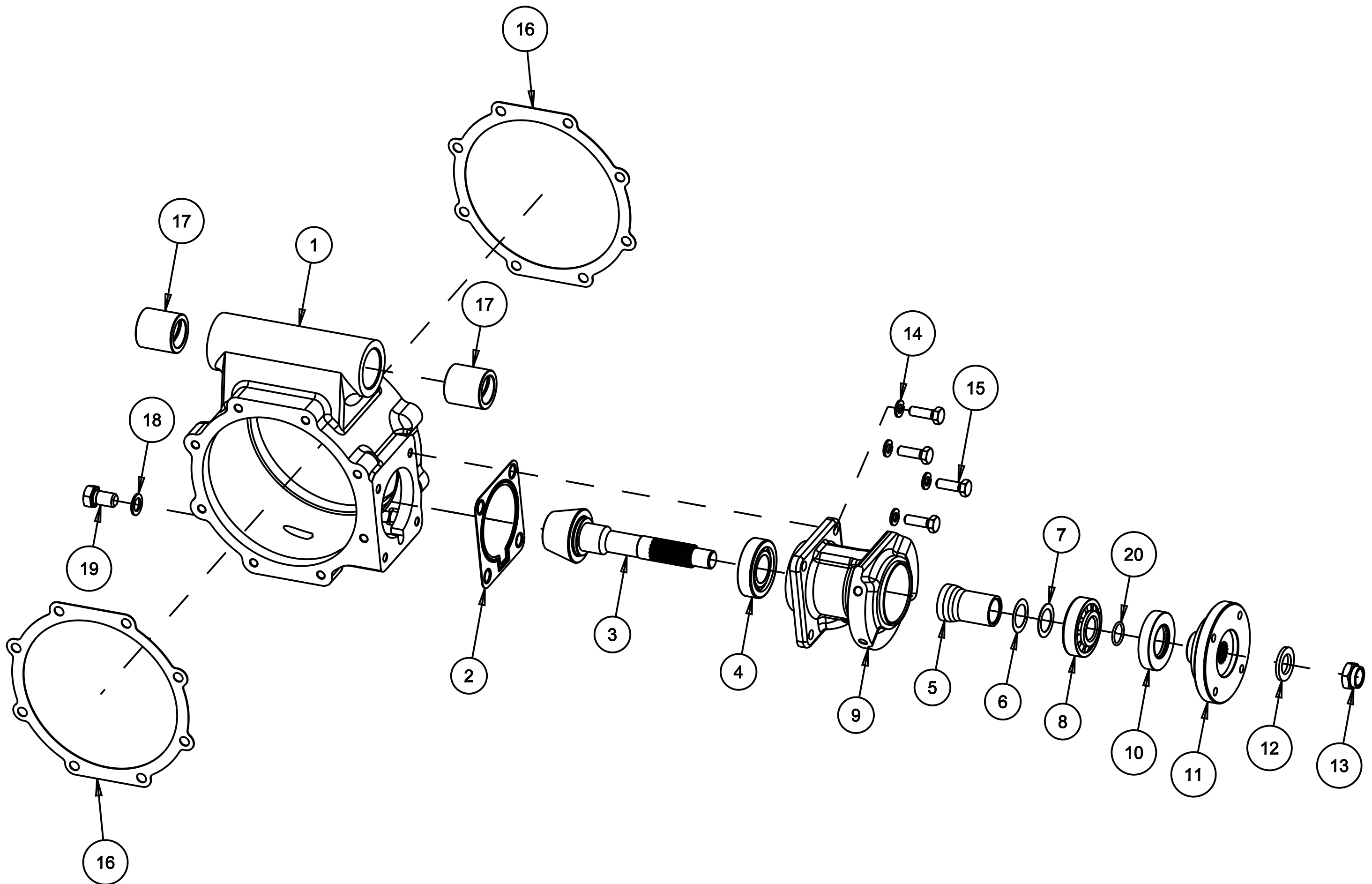


FRONT DIFFERENTIAL CAGE ASSEMBLY

MODEL :- 263, 283, 283 NT

ASSY. NO.:-11305570

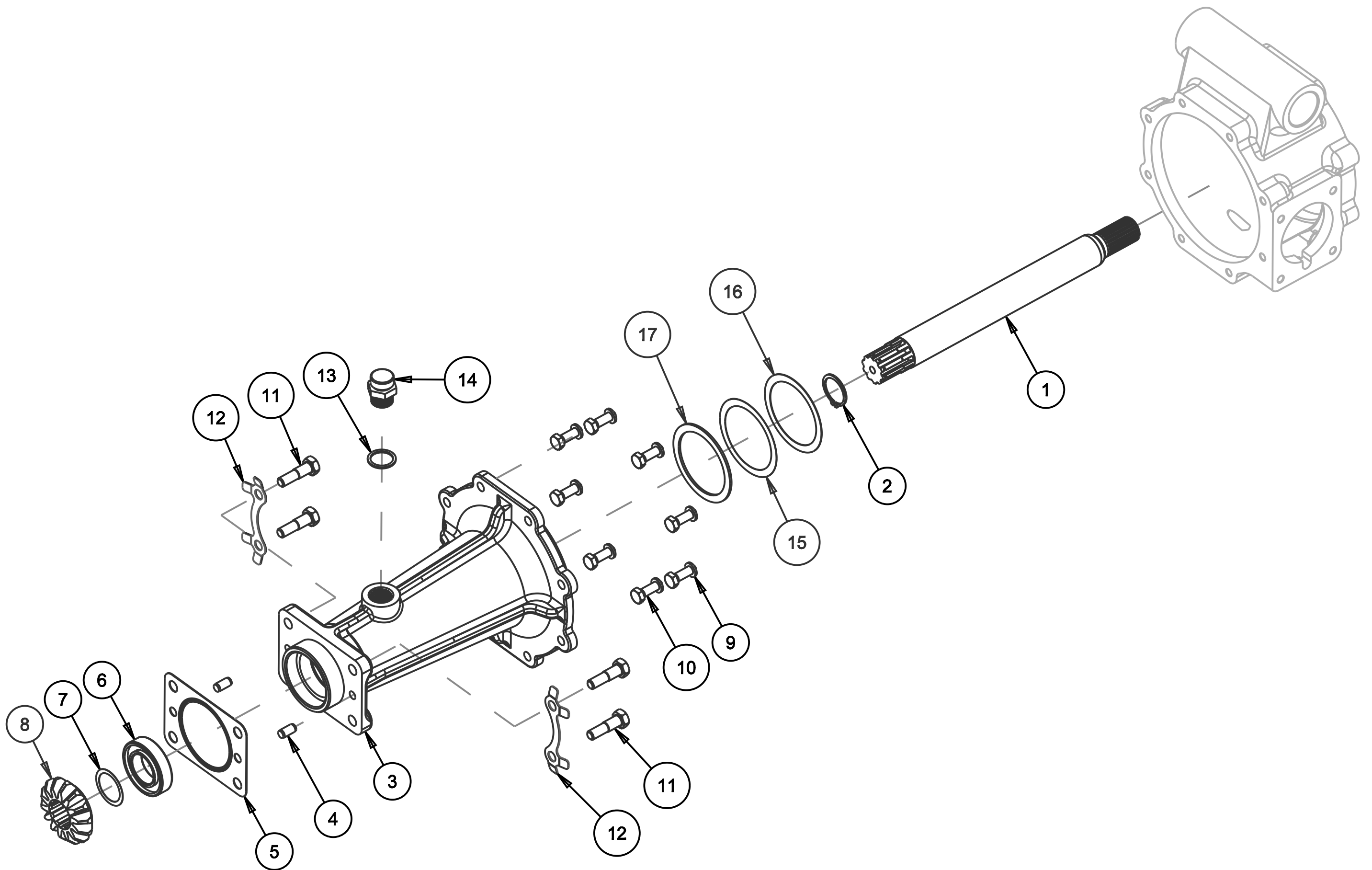
SR. NO.	PART NO.	DESCRIPTION	QTY.	REMARKS
1	11201102	FRONT DIFFERENTIAL CAGE	1	
2	11201104	BEVEL GEAR 16 T	2	
3	11200514	SHIM Ø31XØ42X0.2	2	QTY:- AR
4	11201105	SHIM Ø31XØ42X0.5	2	QTY:- AR
5	11200299	LOCK FLAP FOR AXLE	4	
6	11201143	CROWN BOLT M10X20 (1.25P)	8	
7	11501117	BALL BEARING 6208	2	
8	11201103	CROWN & PINION SET 43X9	1	
9	11201108	PIN FOR STAR GEAR	1	
10	11201106	STAR GEAR 10 T	2	
11	11201107	SHIM STAR GEAR	2	QTY:- AR
12	11201109	LOCK PIN HOLLOW Ø5.5X50	1	



FRONT DIFFERENTIAL PINION SHAFT ASSEMBLY

MODEL :- 263, 283, 283 NT
ASSY. NO.:-11305571

SR. NO.	PART NO.	DESCRIPTION	QTY.	REMARKS
1	11202824	MAIN DIFFERENTIAL HOUSING	1	
2	11201137	GASKET FOR PINION HOUSING	1	
3	11201103	CROWN & PINION SET 43X9	1	
4	11500344	TAPPER ROLLER BEARING 30205	1	
5	11201127	DISTANCE FOR PINION HOUSING	1	
6	11204854	SHIMS Ø20.5xØ30x0.2	1	QTY:- AR
7	11201128	SHIM Ø20.5 X Ø30 X 0.5	1	QTY:- AR
8	11501121	TAPPER ROLLER BEARING 30304	1	
9	11201094	PINION HOUSING	1	
10	11501124	OIL SEAL Ø52xØ28x10	1	
11	11201145	PROPELLER FLANGE	1	
12	11501146	PLAIN WASHER Ø18XØ30X3	1	
13	11201147	PINION NUT M16X1.5	1	
14	11500052	SPRING WASHER - 8mm	4	
15	11500051	HEX. BOLT M8 X 25 (F.T.)	4	
16	11201134	GASKET FOR DIFFERENTIAL HOUSING	2	
17	11201936	COPPER BUSH CENTER PIN	2	
18	11500007	COPPER WASHER Ø12xØ19x1.5	1	
19	11500773	HEX. BOLT M12x20 (F.T.)8.8	1	
20	11501470	O-RING Ø17xØ2	1	

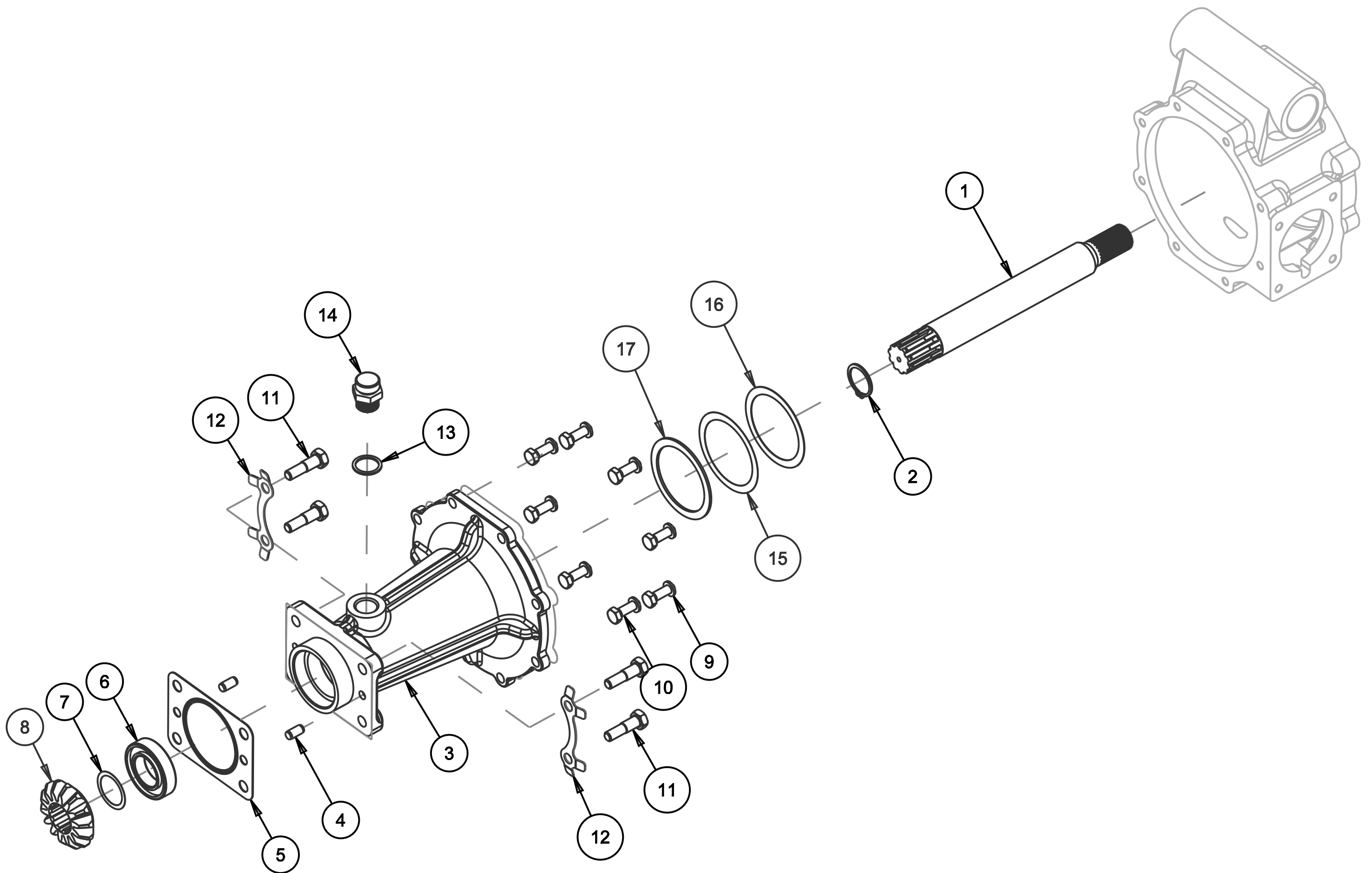


FLANGE DIFFERENTIAL HOUSING ASSEMBLY LH

MODEL :- 263, 283

ASSY. NO.:-11305565

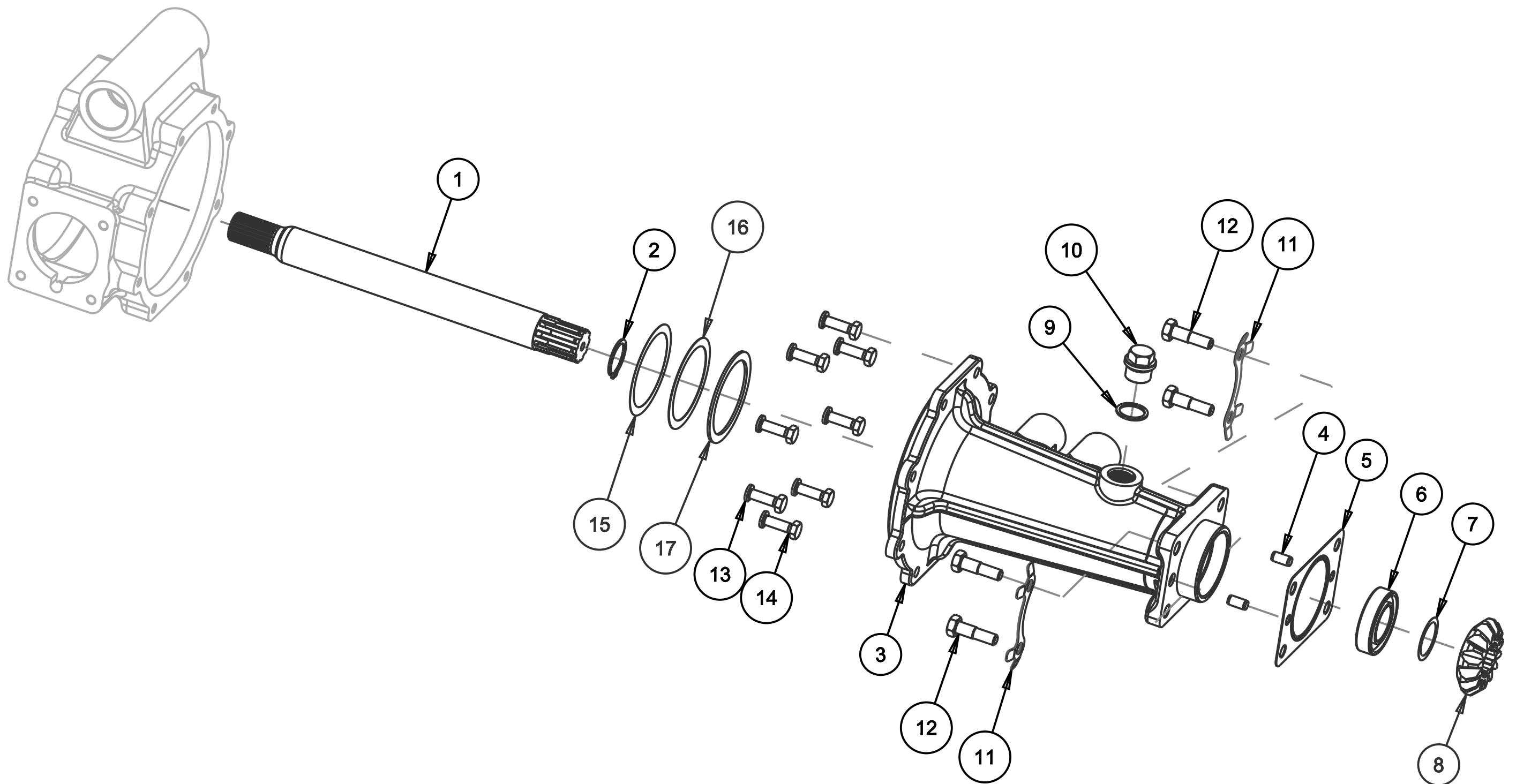
SR. NO.	PART NO.	DESCRIPTION	QTY.	REMARKS
1	11201110	DIFFERENTIAL MAIN AXLE	1	
2	11501125	CIRCLIP EXTERNAL Ø28X1.5	1	
3	11201091	FLANGE DIFFERENTIAL HOUSING	1	
4	11200119	PIN, DOWEL Ø8 X 16	2	
5	11201135	GASKET FOR VERTICAL SHAFT HOUSING	1	
6	11501120	BALL BEARING 6006	1	
7	11201132	SHIMS Ø29xØ37x0.3	1	QTY:- AR
8	11205072	BEVEL GEAR 14 T	1	
9	11500052	SPRING WASHER - 8mm	8	
10	11500051	HEX. BOLT M8 X 25 (F.T.)	8	
11	11503270	HEX. BOLT M10x35x1.25P (10.9)	4	
12	11203256	LOCKING FLAP, FLANGE DIFFERENTIAL HOUSING	2	
13	11500430	COPPER WASHER Ø21XØ26X1.5	1	
14	11202915	AIR BREATHER 1/2" BSP	1	
15	11200441	SHIMS Ø79XØ64.5X0.2	1	QTY:- AR
16	11201130	SHIMS Ø79xØ64.5x0.5	1	QTY:- AR
17	11201221	SPACER FOR FLANGE DIFF. HOUSING	1	



FLANGE DIFFERENTIAL HOUSING ASSEMBLY LH

MODEL :- 283 NT
ASSY. NO.:-11305731

SR. NO.	PART NO.	DESCRIPTION	QTY.	REMARKS
1	11202267	DIFFERENTIAL MAIN AXLE (NT)	1	
2	11501125	CIRCLIP EXTERNAL Ø28X1.5	1	
3	11202266	FLANGE DIFFERENTIAL HOUSING (NT)	1	
4	11200119	PIN, DOWEL Ø8 X 16	2	
5	11201135	GASKET FOR VERTICAL SHAFT HOUSING	1	
6	11501120	BALL BEARING 6006	1	
7	11201132	SHIMS Ø29xØ37x0.3	1	QTY:- AR
8	11205072	BEVEL GEAR 14 T	1	
9	11500052	SPRING WASHER - 8mm	8	
10	11500051	HEX. BOLT M8 X 25 (F.T.)	8	
11	11503270	HEX. BOLT M10x35x1.25P (10.9)	4	
12	11203256	LOCKING FLAP, FLANGE DIFFERENTIAL HOUSING	2	
13	11500430	COPPER WASHER Ø21XØ26X1.5	1	
14	11202915	AIR BREATHER 1/2" BSP	1	
15	11200441	SHIMS Ø79XØ64.5X0.2	1	QTY:- AR
16	11201130	SHIMS Ø79xØ64.5x0.5	1	QTY:- AR
17	11201221	SPACER FOR FLANGE DIFF. HOUSING	1	

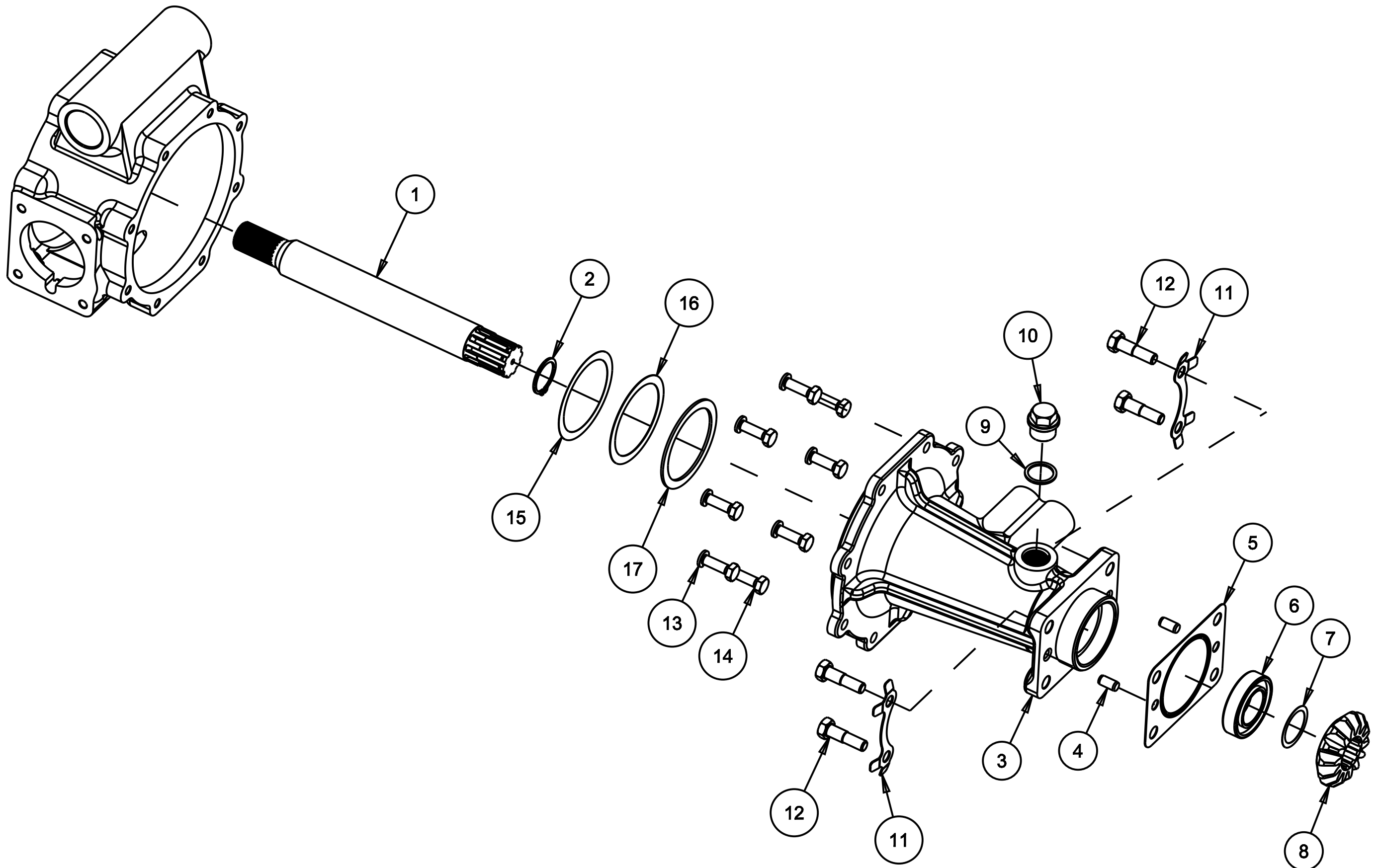


FLANGE DIFFERENTIAL HOUSING ASSEMBLY RH

MODEL :- 263, 283

ASSY. NO.:-11305566

SR. NO.	PART NO.	DESCRIPTION	QTY.	REMARKS
1	11201110	DIFFERENTIAL MAIN AXLE	1	
2	11501125	CIRCLIP EXTERNAL Ø28X1.5	1	
3	11205087	FLANGE DIFFERENTIAL HOUSING (R.H.)	1	
4	11200119	PIN, DOWEL Ø8 X 16	2	
5	11201135	GASKET FOR VERTICAL SHAFT HOUSING	1	
6	11501120	BALL BEARING 6006	1	
7	11201132	SHIMS Ø29xØ37x0.3	1	QTY:- AR
8	11205072	BEVEL GEAR 14 T	1	
9	11500430	COPPER WASHER Ø21XØ26X1.5	1	
10	11200120	DRAIN PLUG	1	
11	11203256	LOCKING FLAP, FLANGE DIFFERENTIAL HOUSING	2	
12	11503270	HEX. BOLT M10x35x1.25P (10.9)	4	
13	11500052	SPRING WASHER - 8mm	8	
14	11500051	HEX. BOLT M8 X 25 (F.T.)	8	
15	11200441	SHIMS Ø79XØ64.5X0.2	1	QTY:- AR
16	11201130	SHIMS Ø79xØ64.5x0.5	1	QTY:- AR
17	11201221	SPACER FOR FLANGE DIFF. HOUSING	1	



FLANGE DIFFERENTIAL HOUSING ASSEMBLY RH

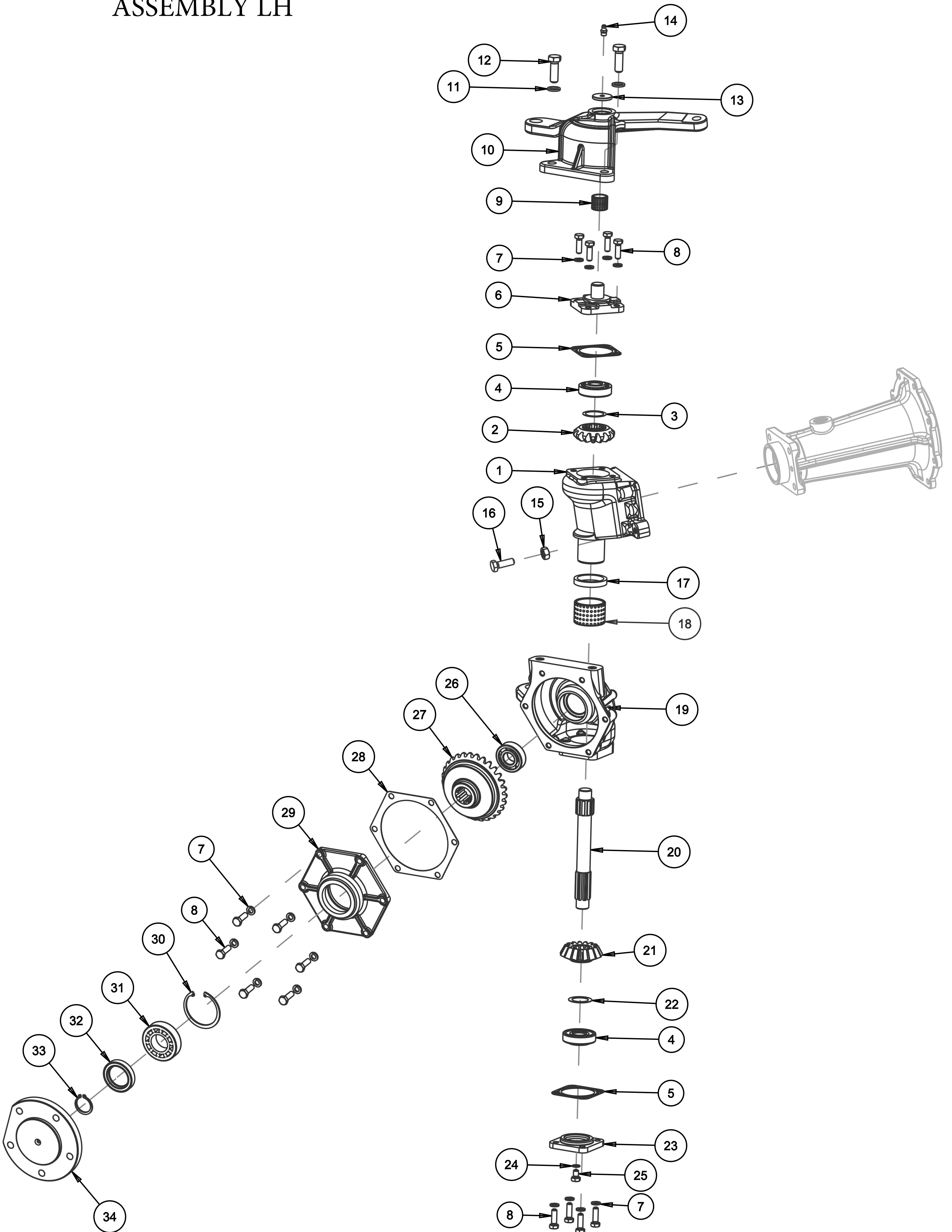
MODEL :- 283 NT

ASSY. NO.:-11305732

SR. NO.	PART NO.	DESCRIPTION	QTY.	REMARKS
1	11202267	DIFFERENTIAL MAIN AXLE (NT)	1	
2	11501125	CIRCLIP EXTERNAL Ø28X1.5	1	
3	11205536	FLANGE DIFFERENTIAL HOUSING R.H. (NT)	1	
4	11200119	PIN, DOWEL Ø8 X 16	2	
5	11201135	GASKET FOR VERTICAL SHAFT HOUSING	1	
6	11501120	BALL BEARING 6006	1	
7	11201132	SHIMS Ø29xØ37x0.3	1	QTY:- AR
8	11205072	BEVEL GEAR 14 T	1	
9	11500430	COPPER WASHER Ø21XØ26X1.5	1	
10	11200120	DRAIN PLUG	1	
11	11203256	LOCKING FLAP, FLANGE DIFFERENTIAL HOUSING	2	
12	11503270	HEX. BOLT M10x35x1.25P (10.9)	4	
13	11500052	SPRING WASHER - 8mm	8	
14	11500051	HEX. BOLT M8 X 25 (F.T.)	8	
15	11200441	SHIMS Ø79XØ64.5X0.2	1	QTY:- AR
16	11201130	SHIMS Ø79xØ64.5x0.5	1	QTY:- AR
17	11201221	SPACER FOR FLANGE DIFF. HOUSING	1	

VERTICAL SHAFT HOUSING
ASSEMBLY LH

MODEL - 263

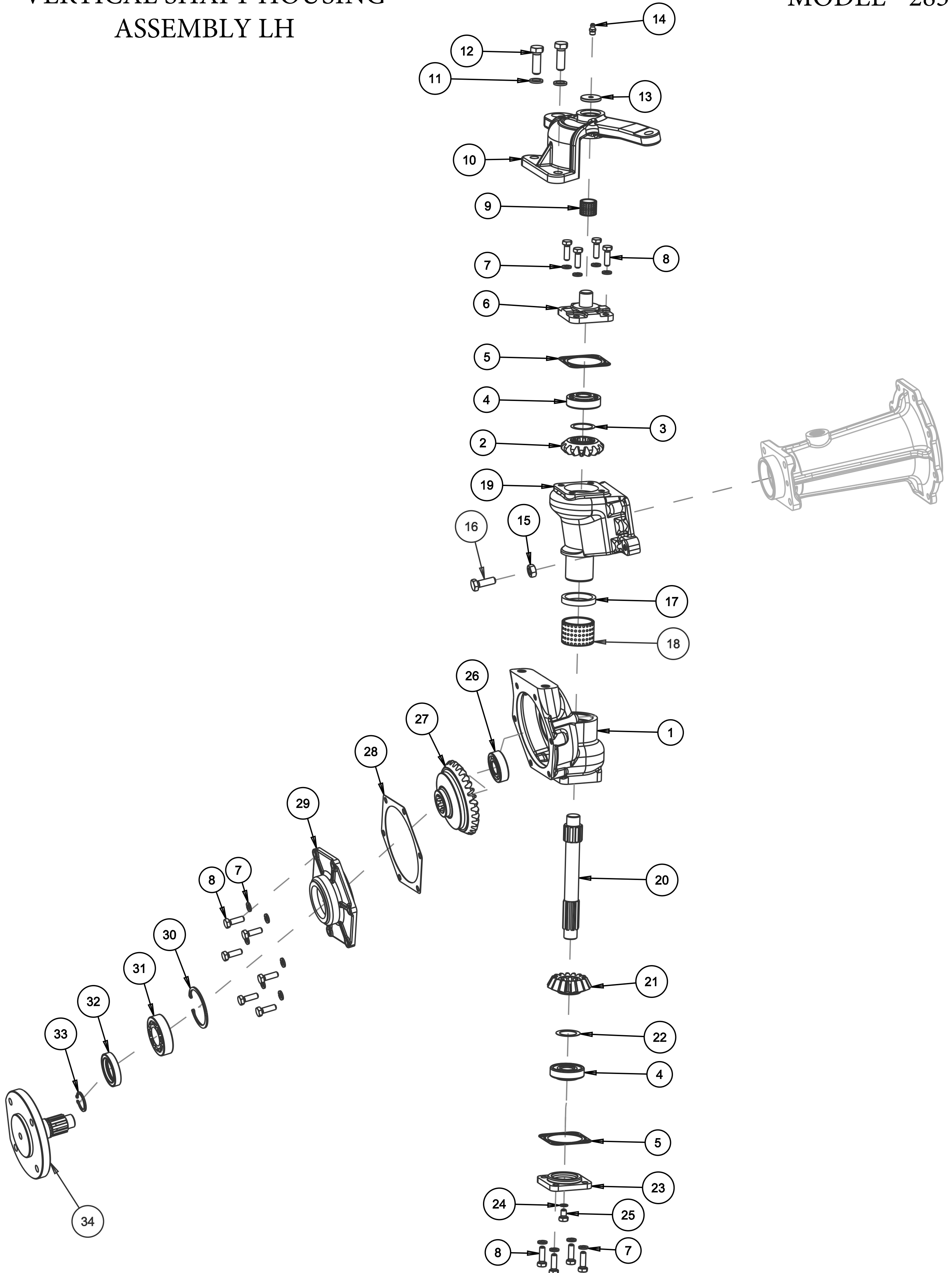


VERTICAL SHAFT HOUSING ASSEMBLY LH
MODEL :- 263
ASSY. NO.:-11305596

SR. NO.	PART NO.	DESCRIPTION	QTY.	REMARKS
1	11205014	HOUSING FOR VERTICAL SHAFT LH	1	
2	11205072	BEVEL GEAR 14 T	1	
3	11201132	SHIMS Ø29xØ37x0.3	1	QTY:-AR
4	11501121	TAPPER ROLLER BEARING 30304	2	
5	11201138	GASKET FOR BEARING COVER	2	
6	11201096	TOP COVER FOR VERTICAL SHAFT	1	
7	11500052	SPRING WASHER - 8mm	14	
8	11500051	HEX. BOLT M8 X 25 (F.T.)	14	
9	11205123	STEERING ARM BUSH	1	
10	11205085	STEERING ARM (DOUBLE)	1	
11	11500118	SPRING WASHER 12 mm	2	
12	11500768	HEX. BOLT M12X35 (F.T.)	2	
13	11205107	WASHER FOR STEERING ARM	1	
14	11502088	GREASE NIPPLE M8x1	1	
15	11500024	HEX NUT M10	1	
16	11504704	HEX BOLT M10 x 30 (F.T)10.9	1	
17	11501122	OIL SEAL Ø52xØ42x8	1	
18	11205030	BUSH FOR VERTICAL HOUSING	1	
19	11203216	HOUSING FOR AXLE FLANGE LH	1	
20	11201111	VERTICAL SHAFT	1	
21	11204550	BEVEL PINION GEAR 15 T -78°	1	
22	11201133	SHIMS Ø26xØ37XØ0.5	1	QTY:-AR
23	11204551	BOTTOM COVER FOR VERTICAL SHAFT -78°	1	
24	11500112	COPPER WASHER Ø8XØ12X1	2	
25	11500489	HEX BOLT M8 X 12 (F.T.)	2	
26	11501119	BALL BEARING 6204	1	
27	11204549	BEVEL GEAR 29 T -78°	1	
28	11201136	GASKET FOR AXLE FLANGE HOUSING	1	
29	11201095	FLANGE FOR AXLE FLANGE HOUSING	1	
30	11501126	CIRCLIP, INTERNAL Ø62X2	1	
31	11501118	BALL BEARING 6206	1	
32	11501123	OIL SEAL Ø52XØ35X10	1	
33	11501255	CIRCLIP EXTERNAL Ø28 X 2	1	
34	11202310	AXLE FLANGE (5 Hole)	1	

**VERTICAL SHAFT HOUSING
ASSEMBLY LH**

MODEL - 283

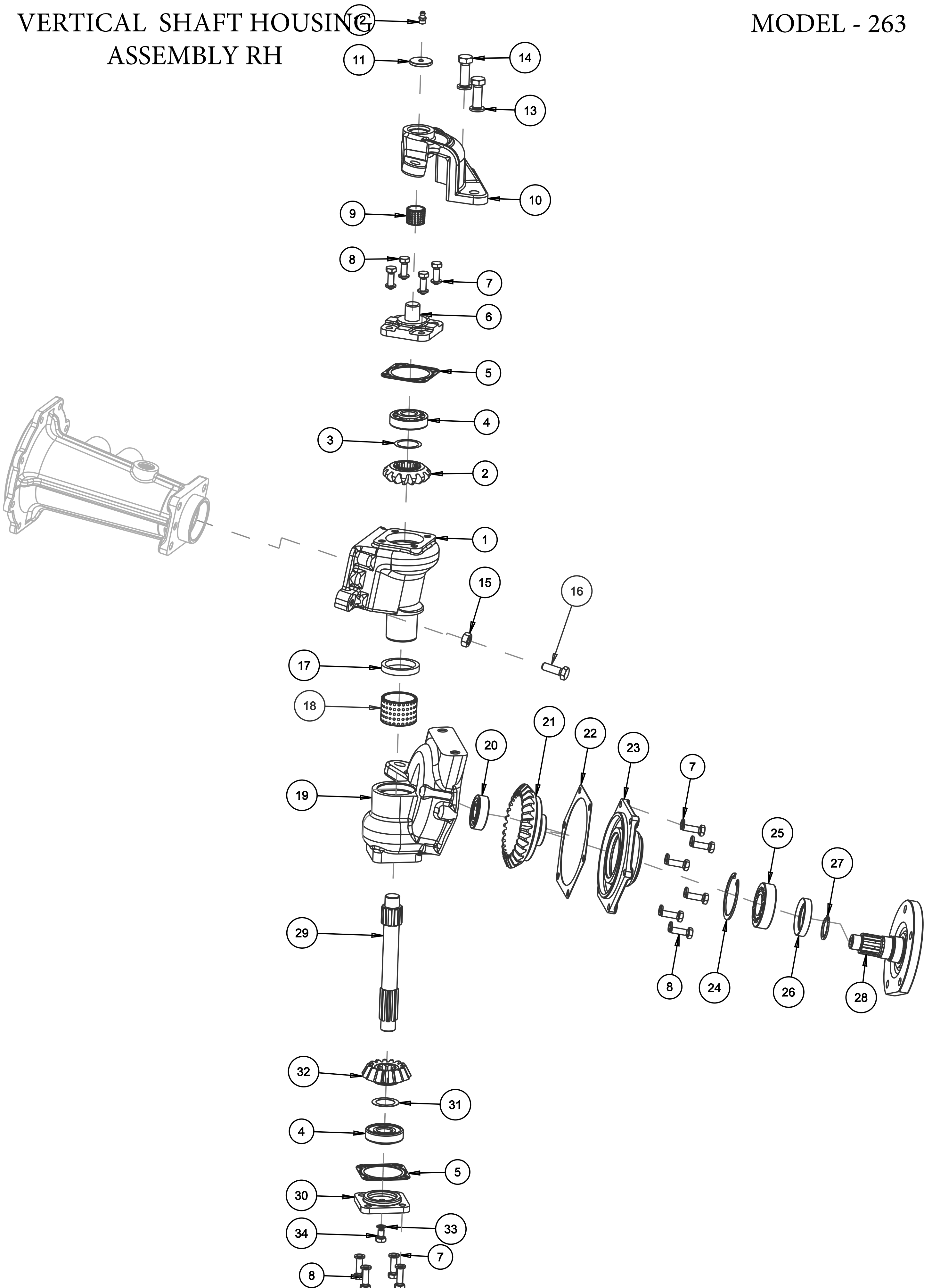


VERTICAL SHAFT HOUSING ASSEMBLY LH

MODEL :- 283, 283 NT			ASSY. NO.:-11305655	
SR. NO.	PART NO.	DESCRIPTION	QTY.	REMARKS
1	11203216	HOUSING FOR AXLE FLANGE LH	1	
2	11205072	BEVEL GEAR 14 T	1	
3	11201132	SHIMS Ø29xØ37x0.3	1	QTY:-AR
4	11501121	TAPPER ROLLER BEARING 30304	2	
5	11201138	GASKET FOR BEARING COVER	2	
6	11201096	TOP COVER FOR VERTICAL SHAFT	1	
7	11500052	SPRING WASHER - 8mm	14	
8	11500051	HEX. BOLT M8 X 25 (F.T.)	14	
9	11205123	STEERING ARM BUSH	1	
10	11205085	STEERING ARM (DOUBLE)	1	
11	11500118	SPRING WASHER 12 mm	2	
12	11500768	HEX. BOLT M12X35 (F.T.)	2	
13	11205107	WASHER FOR STEERING ARM	1	
14	11502088	GREASE NIPPLE M8x1	1	
15	11500024	HEX NUT M10	1	
16	11504704	HEX BOLT M10 x 30 (F.T)10.9	1	
17	11501122	OIL SEAL Ø52xØ42x8	1	
18	11205030	BUSH FOR VERTICAL HOUSING	1	
19	11205014	HOUSING FOR VERTICAL SHAFT LH	1	
20	11201111	VERTICAL SHAFT	1	
21	11204550	BEVEL PINION GEAR 15 T -78°	1	
22	11201133	SHIMS Ø26xØ37XØ0.5	1	QTY:-AR
23	11204551	BOTTOM COVER FOR VERTICAL SHAFT -78°	1	
24	11500112	COPPER WASHER Ø8XØ12X1	2	
25	11500489	HEX BOLT M8 X 12 (F.T.)	2	
26	11501119	BALL BEARING 6204	1	
27	11204549	BEVEL GEAR 29 T -78°	1	
28	11201136	GASKET FOR AXLE FLANGE HOUSING	1	
29	11201095	FLANGE FOR AXLE FLANGE HOUSING	1	
30	11501126	CIRCLIP, INTERNAL Ø62X2	1	
31	11501118	BALL BEARING 6206	1	
32	11501123	OIL SEAL Ø52XØ35X10	1	
33	11501255	CIRCLIP EXTERNAL Ø28 X 2	1	
34	11201139	AXLE FLANGE	1	

VERTICAL SHAFT HOUSING
ASSEMBLY RH

MODEL - 263

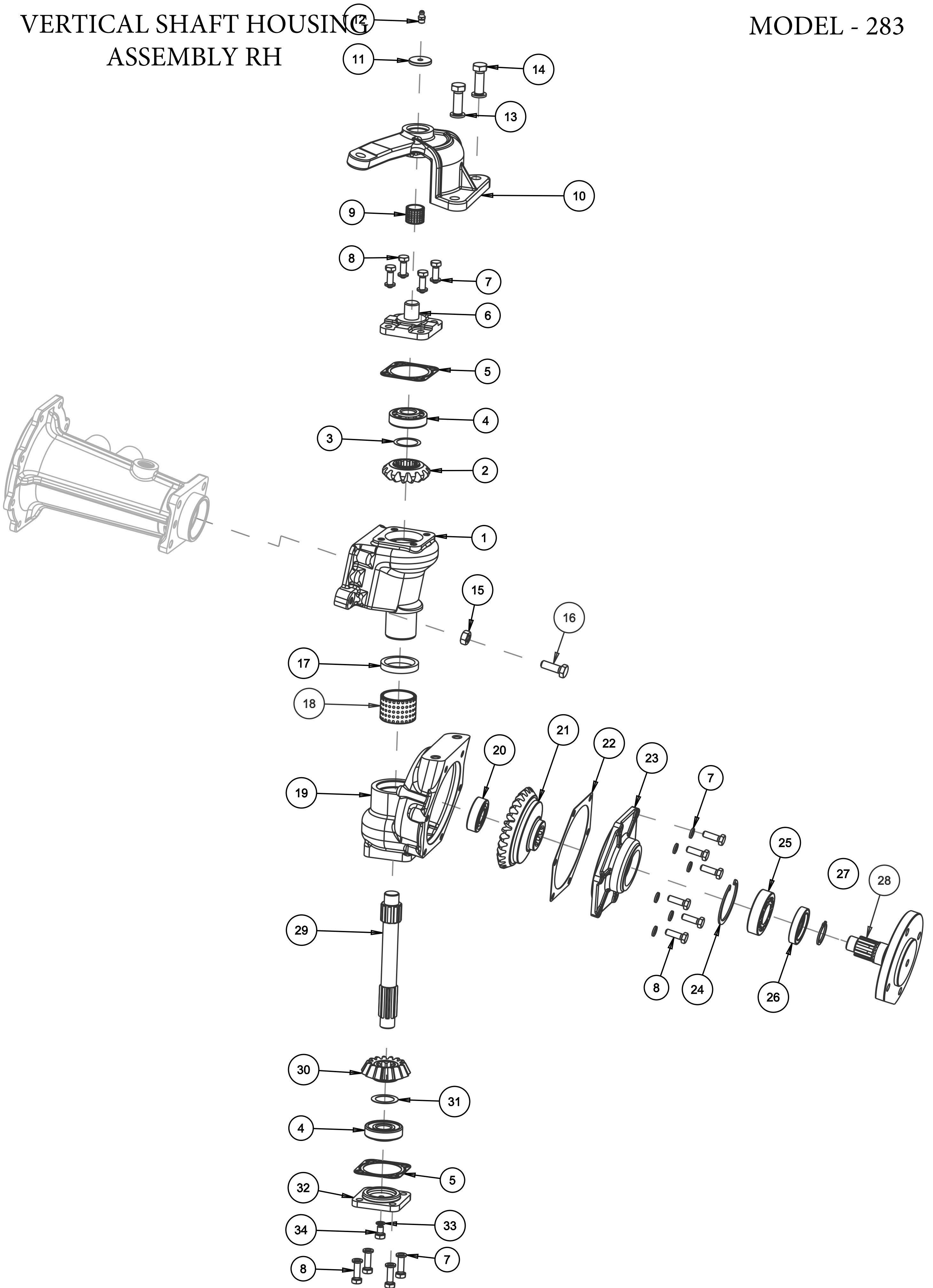


VERTICAL SHAFT HOUSING ASSEMBLY RH
MODEL :- 263
ASSY. NO.:-11305597

SR. NO.	PART NO.	DESCRIPTION	QTY.	REMARKS
1	11204555	HOUSING FOR VERTICAL SHAFT RH	1	
2	11201112	BEVEL GEAR 14 T	1	
3	11201132	SHIMS Ø29xØ37x0.3	1	QTY:-AR
4	11501121	TAPPER ROLLER BEARING 30304	2	
5	11201138	GASKET FOR BEARING COVER	2	
6	11201096	TOP COVER FOR VERTICAL SHAFT	1	
7	11500052	SPRING WASHER - 8mm	14	
8	11500051	HEX. BOLT M8 X 25 (F.T.)	14	
9	11205123	STEERING ARM BUSH	1	
10	11205084	STEERING ARM (SINGLE)	1	
11	11205107	WASHER FOR STEERING ARM	1	
12	11502088	GREASE NIPPLE M8x1	1	
13	11500118	SPRING WASHER 12 mm	2	
14	11500768	HEX. BOLT M12X35 (F.T.)	2	
15	11500024	HEX NUT M10	1	
16	11504704	HEX BOLT M10 x 30 (F.T)10.9	1	
17	11501122	OIL SEAL Ø52xØ42x8	1	
18	11205030	BUSH FOR VERTICAL HOUSING	1	
19	11203217	HOUSING FOR AXLE FLANGE RH	1	
20	11501119	BALL BEARING 6204	1	
21	11204549	BEVEL GEAR 29 T -78°	1	
22	11201136	GASKET FOR AXLE FLANGE HOUSING	1	
23	11201095	FLANGE FOR AXLE FLANGE HOUSING	1	
24	11501126	CIRCLIP, INTERNAL Ø62X2	1	
25	11501118	BALL BEARING 6206	1	
26	11501123	OIL SEAL Ø52XØ35X10	1	
27	11501255	CIRCLIP EXTERNAL Ø28 X 2	1	
28	11202310	AXLE FLANGE (5 Hole)	1	
29	11201111	VERTICAL SHAFT	1	
30	11204551	BOTTOM COVER FOR VERTICAL SHAFT -78°	1	
31	11201133	SHIMS Ø26xØ37XØ0.5	1	QTY:-AR
32	11204550	BEVEL PINION GEAR 15 T -78°	1	
33	11500112	COPPER WASHER Ø8XØ12X1	2	
34	11500489	HEX BOLT M8 X 12 (F.T.)	2	

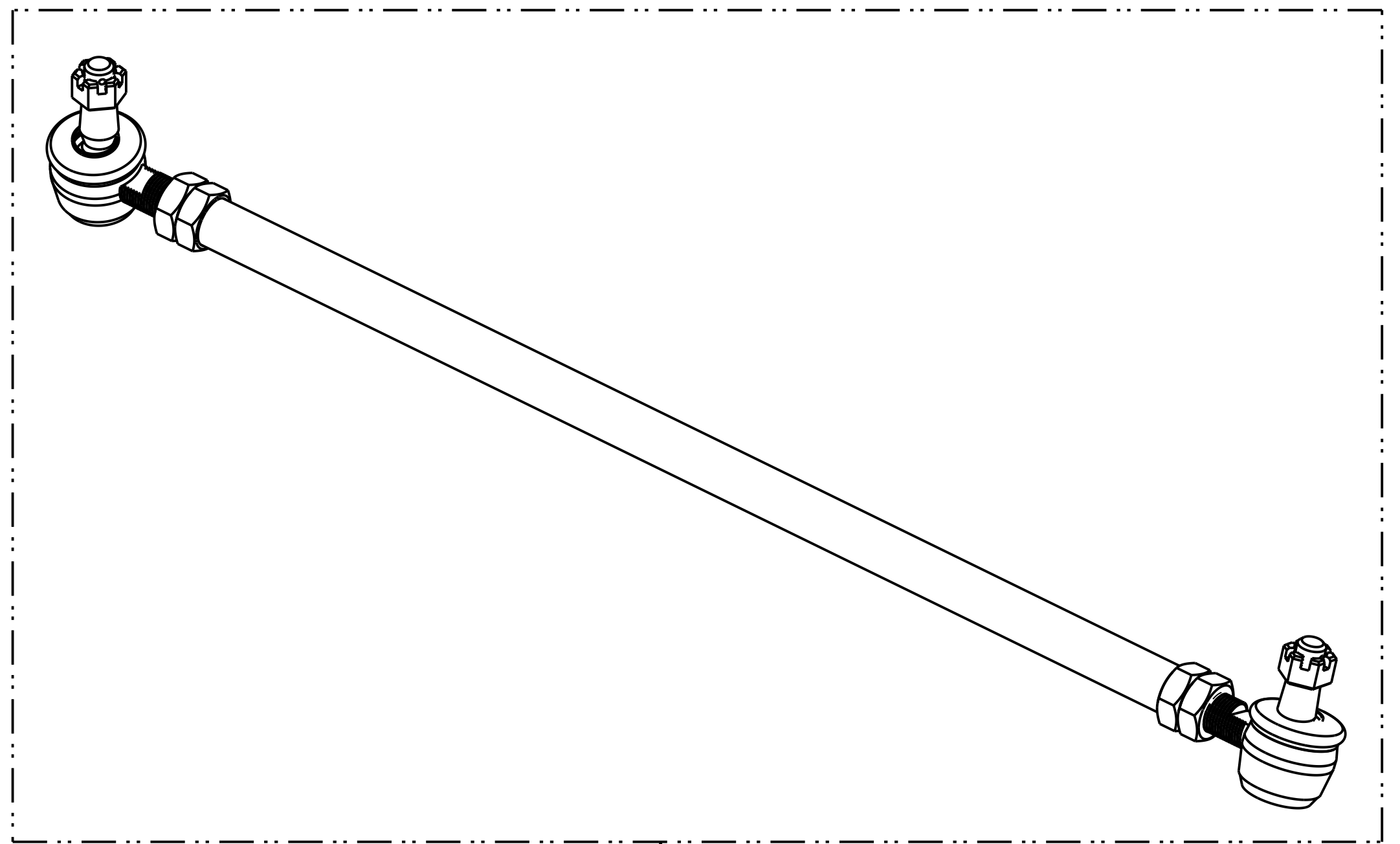
VERTICAL SHAFT HOUSING
ASSEMBLY RH

MODEL - 283



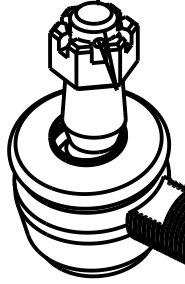
VERTICAL SHAFT HOUSING ASSEMBLY RH

MODEL :- 283,283 NT			ASSY. NO.:-11305656	
SR. NO.	PART NO.	DESCRIPTION	QTY.	REMARKS
1	11204555	HOUSING FOR VERTICAL SHAFT RH	1	
2	11205072	BEVEL GEAR 14 T	1	
3	11201132	SHIMS Ø29xØ37x0.3	1	QTY:-AR
4	11501121	TAPPER ROLLER BEARING 30304	2	
5	11201138	GASKET FOR BEARING COVER	2	
6	11201096	TOP COVER FOR VERTICAL SHAFT	1	
7	11500052	SPRING WASHER - 8mm	14	
8	11500051	HEX. BOLT M8 X 25 (F.T.)	14	
9	11205123	STEERING ARM BUSH	1	
10	11205084	STEERING ARM (SINGLE)	1	
11	11205107	WASHER FOR STEERING ARM	1	
12	11502088	GREASE NIPPLE M8x1	1	
13	11500118	SPRING WASHER 12 mm	2	
14	11500768	HEX. BOLT M12X35 (F.T.)	2	
15	11500024	HEX NUT M10	1	
16	11504704	HEX BOLT M10 x 30 (F.T)10.9	1	
17	11501122	OIL SEAL Ø52xØ42x8	1	
18	11205030	BUSH FOR VERTICAL HOUSING	1	
19	11203217	HOUSING FOR AXLE FLANGE RH	1	
20	11501119	BALL BEARING 6204	1	
21	11204549	BEVEL GEAR 29 T -78°	1	
22	11201136	GASKET FOR AXLE FLANGE HOUSING	1	
23	11201095	FLANGE FOR AXLE FLANGE HOUSING	1	
24	11501126	CIRCLIP, INTERNAL Ø62X2	1	
25	11501118	BALL BEARING 6206	1	
26	11501123	OIL SEAL Ø52XØ35X10	1	
27	11501255	CIRCLIP EXTERNAL Ø28 X 2	1	
28	11201139	AXLE FLANGE	1	
29	11201111	VERTICAL SHAFT	1	
30	11204550	BEVEL PINION GEAR 15 T -78°	1	
31	11201133	SHIMS Ø26xØ37XØ0.5	1	QTY:-AR
32	11204551	BOTTOM COVER FOR VERTICAL SHAFT -78°	1	
33	11500112	COPPER WASHER Ø8XØ12X1	2	
34	11500489	HEX BOLT M8 X 12 (F.T.)	2	



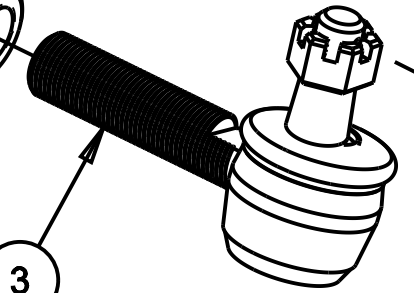
1

4



2

3



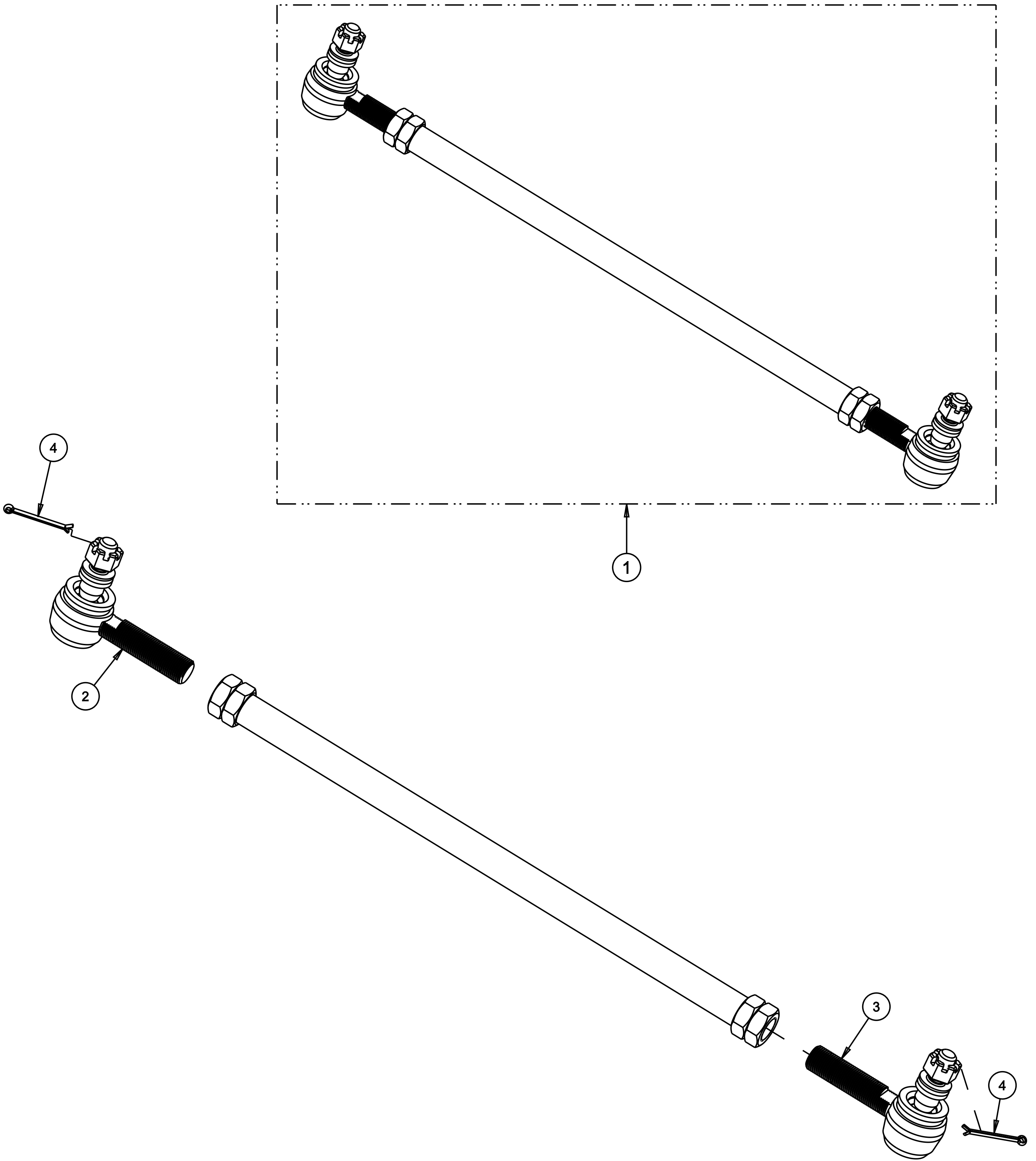
4

TIE ROD ASSEMBLY 508

MODEL :- 263, 283

ASSY. NO.:-11305629

SR. NO.	PART NO.	DESCRIPTION	QTY.	REMARKS
1	11305108	TIE ROD ASSEMBLY 508	1	
2	11200789	TIE ROD END LH SIDE	1	
3	11200790	TIE ROD END RH SIDE	1	
4	11500357	SPLIT PIN 1/8" x 1.1/2"	2	



TIE ROD ASSEMBLY 408

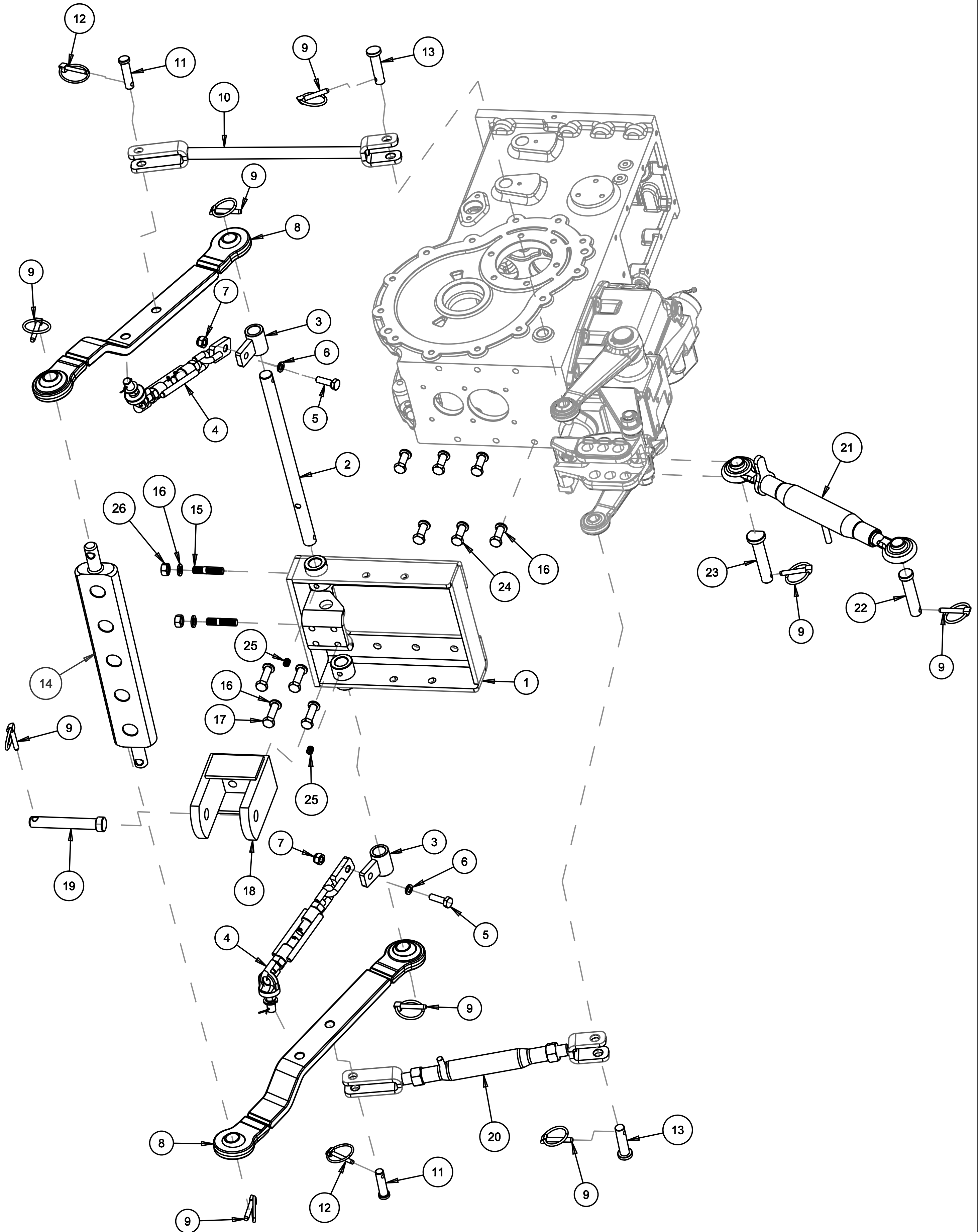
MODEL :- 283 NT

ASSY. NO.:-11305733

SR. NO.	PART NO.	DESCRIPTION	QTY.	REMARKS
1	11305315	TIE ROD ASSEMBLY 408	1	
2	11200789	TIE ROD END LH SIDE	1	
3	11200790	TIE ROD END RH SIDE	1	
4	11500357	SPLIT PIN 1/8" x 1.1/2"	2	

THREE POINT LINKAGE

MODEL - 263

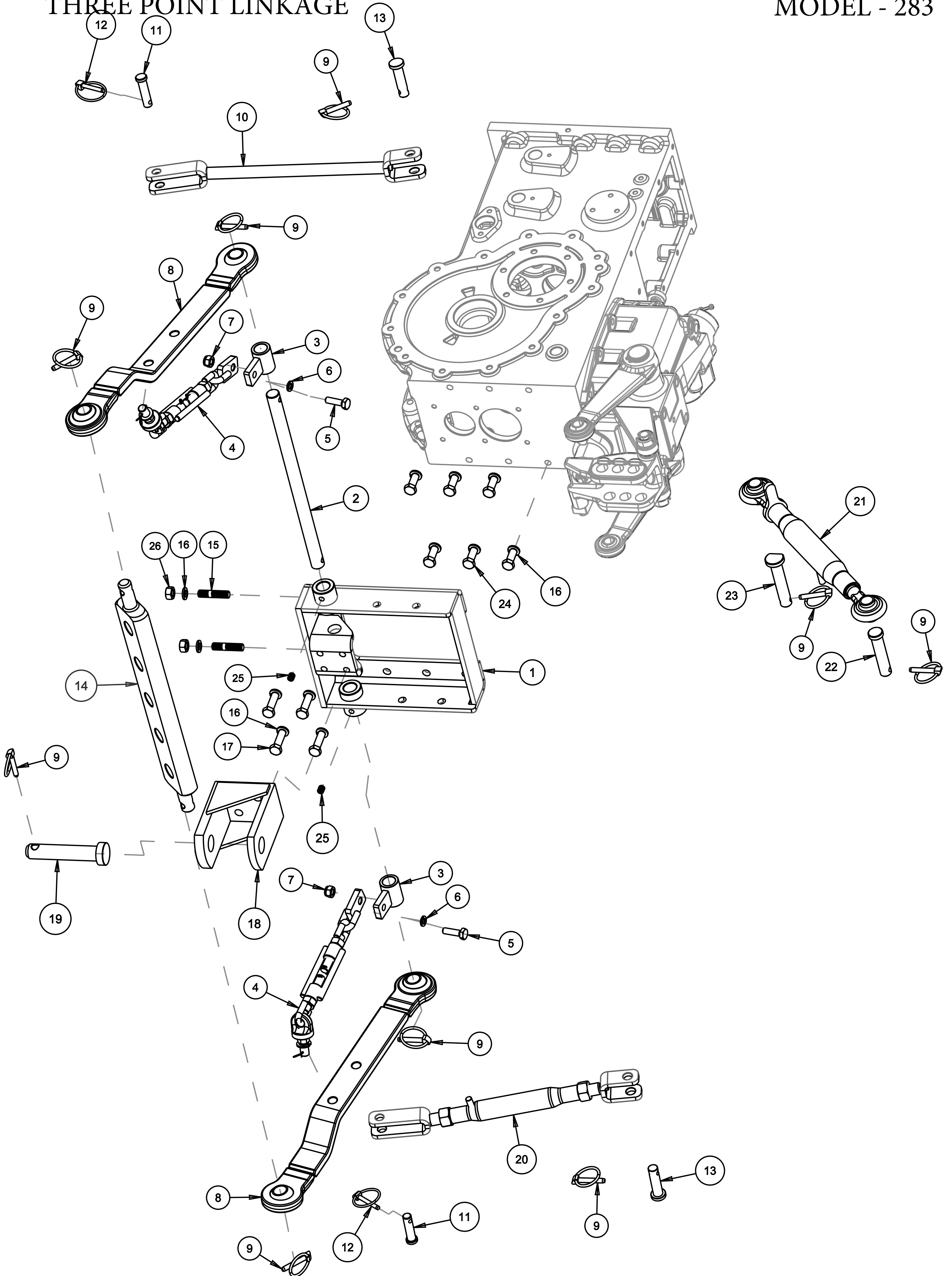


THREE POINT LINKAGE
MODEL :- 263
ASSY. NO.:-11305594

SR. NO.	PART NO.	DESCRIPTION	QTY.	REMARKS
1	11205105	BRACKET, LOWER LINK	1	
2	11201383	BAR LOWER LINK	1	
3	11201930	BRACKET STABILIZER CHAIN	2	
4	11203150	STABILZER CHAIN LOWER LINK (NT)	2	
5	11500979	HEX. BOLT M10x35 (H.T.) 10.9	2	
6	11500062	SPRING WASHER 10 mm	2	
7	11500676	NYLOCK HEX. NUT M10	2	
8	11203219	LOWER LINK (500)	2	
9	11200590	LINCH PIN	9	
10	11202388	SIDE LINK FIX	1	
11	11201330	HITCH PIN (DIA. 14MM)	2	
12	11201300	LINCH PIN (SMALL)	2	
13	11203223	HITCH PIN BIG (Ø 16 mm)	2	
14	11205482	DRAWBAR	1	
15	11501052	STUD M12 X 35	2	
16	11500118	SPRING WASHER 12 mm	12	
17	11500307	HEX. BOLT M12X40 (H.T.)	4	
18	11202214	REAR COUPLING	1	
19	11202215	HITCH PIN, REAR COUPLING	1	
20	11202389	SIDE LINK ADJUSTABLE	1	
21	11300584	TOP LINK	1	
22	11200589	HITCH PIN BIG	1	
23	11203271	HITCH PIN BIG	1	
24	11502079	HEX. BOLT M12 X 30 (F.T.) 8.8	6	
25	11501777	GRUB BOLT M10X12	2	
26	11500117	HEX NUT M12	2	

THREE POINT LINKAGE

MODEL - 283

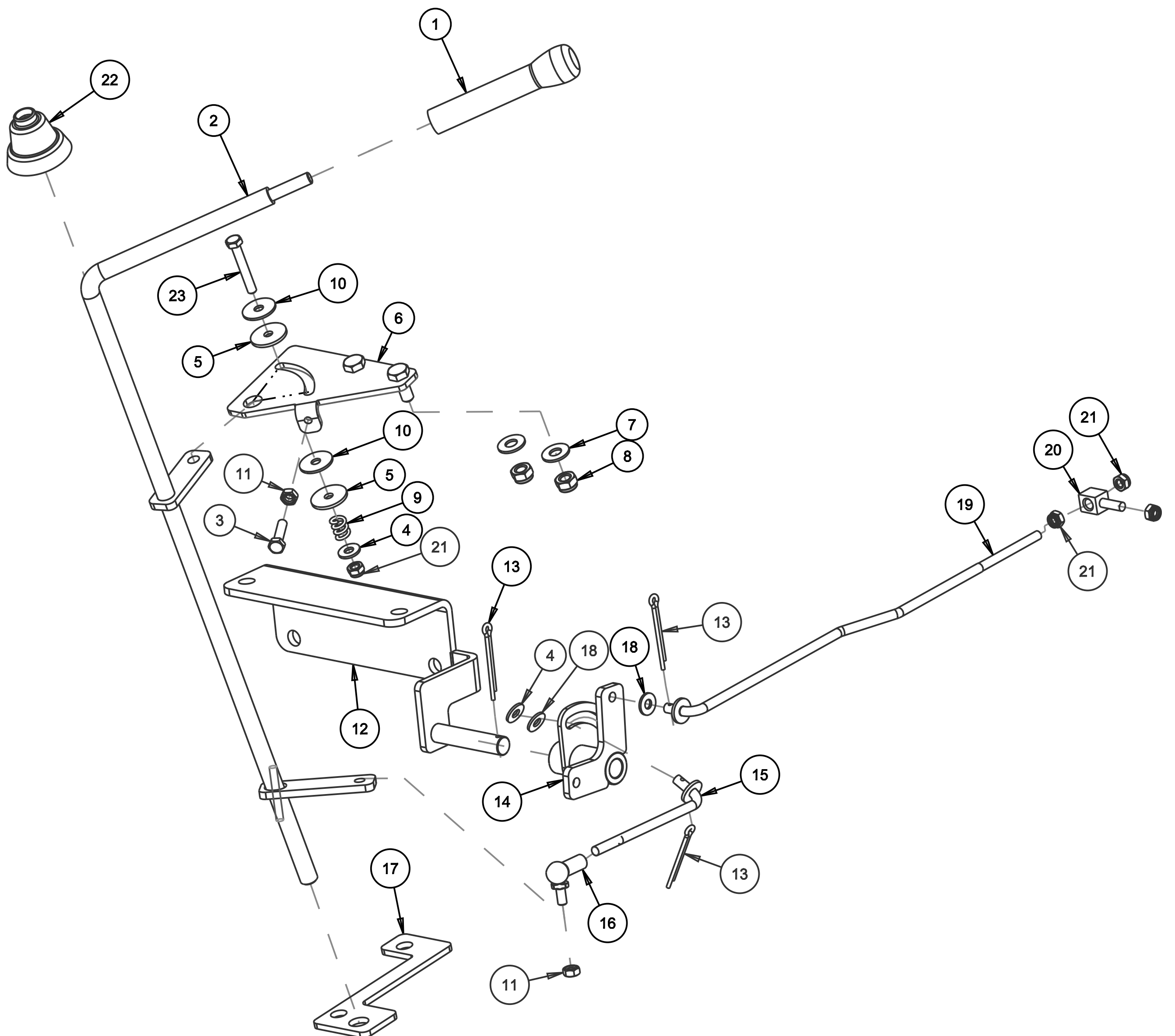
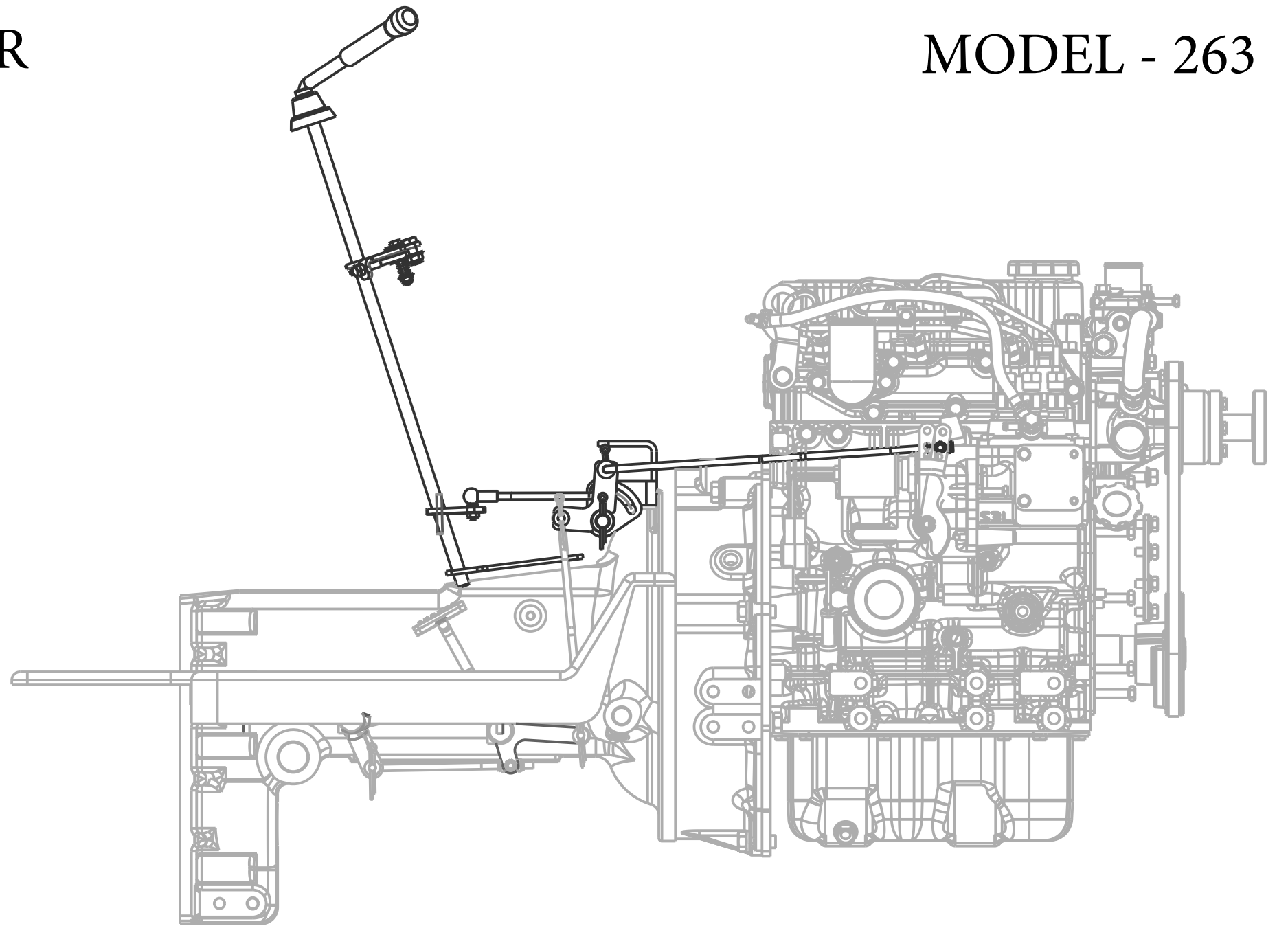


THREE POINT LINKAGE

MODEL :- 283, 283 NT			ASSY. NO.:-11305677	
SR. NO.	PART NO.	DESCRIPTION	QTY.	REMARKS
1	11203120	BRACKET, LOWER LINK (3+1)	1	
2	11203250	BAR, LOWER LINK (3+1)	1	
3	11201930	BRACKET STABILIZER CHAIN	2	
4	11203150	STABILZER CHAIN LOWER LINK (NT)	2	
5	11500979	HEX. BOLT M10x35 (H.T.) 10.9	2	
6	11500062	SPRING WASHER 10 mm	2	
7	11500676	NYLOCK HEX. NUT M10	2	
8	11203219	LOWER LINK (500)	2	
9	11200590	LINCH PIN	9	
10	11202388	SIDE LINK FIX	1	
11	11201330	HITCH PIN (DIA. 14MM)	2	
12	11201300	LINCH PIN (SMALL)	2	
13	11203223	HITCH PIN BIG (Ø 16 mm)	2	
14	11205482	DRAWBAR	1	
15	11501052	STUD M12 X 35	2	
16	11500118	SPRING WASHER 12 mm	12	
17	11500307	HEX. BOLT M12X40 (H.T.)	4	
18	11201929	HOOK TRAILER	1	
19	11200630	TRAILER PIN	1	
20	11202389	SIDE LINK ADJUSTABLE	1	
21	11300584	TOP LINK	1	
22	11200589	HITCH PIN BIG	1	
23	11203271	HITCH PIN BIG	1	
24	11502079	HEX. BOLT M12 X 30 (F.T.) 8.8	6	
25	11501777	GRUB BOLT M10X12	2	
26	11500117	HEX NUT M12	2	

HAND ACCELERATOR

MODEL - 263

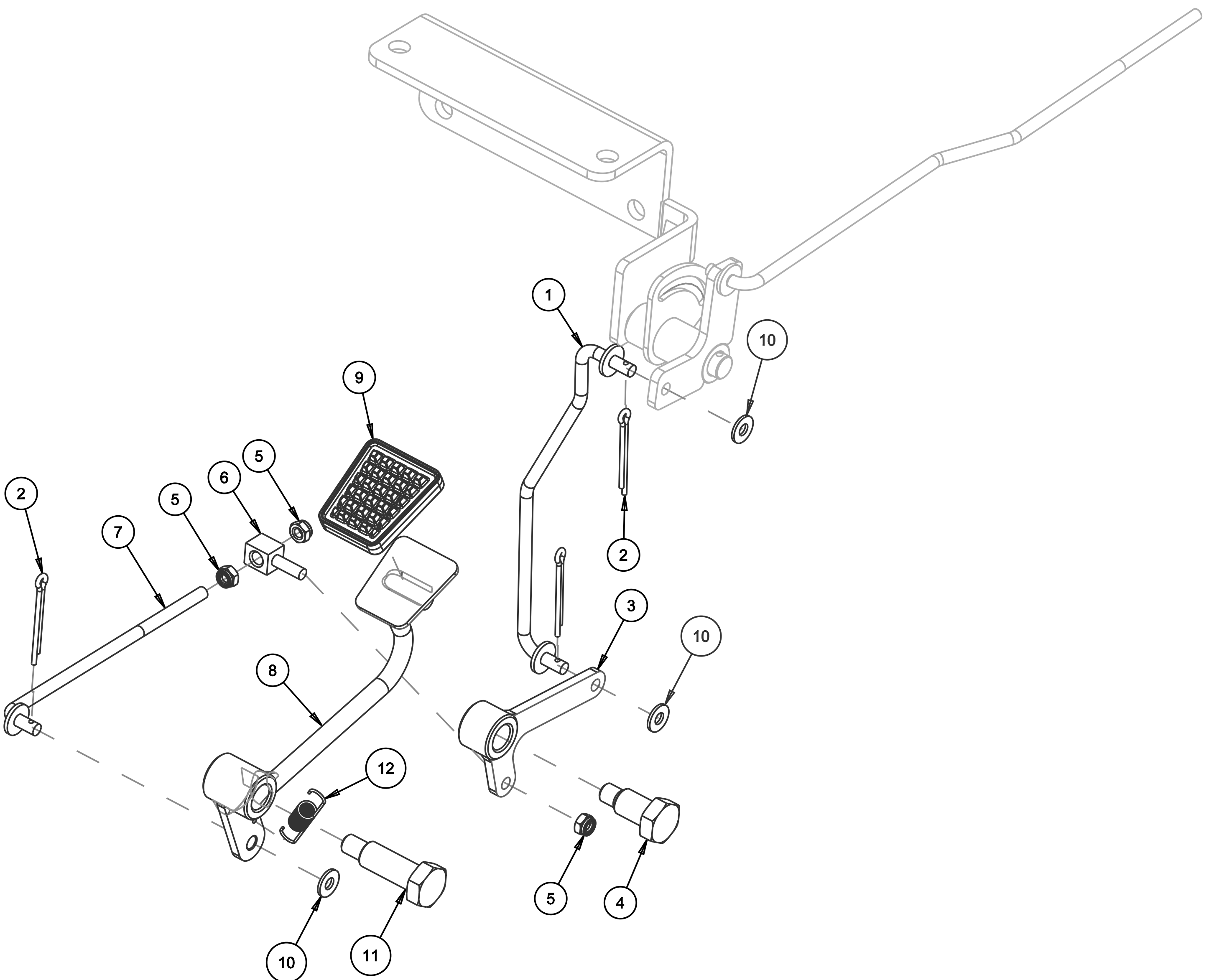
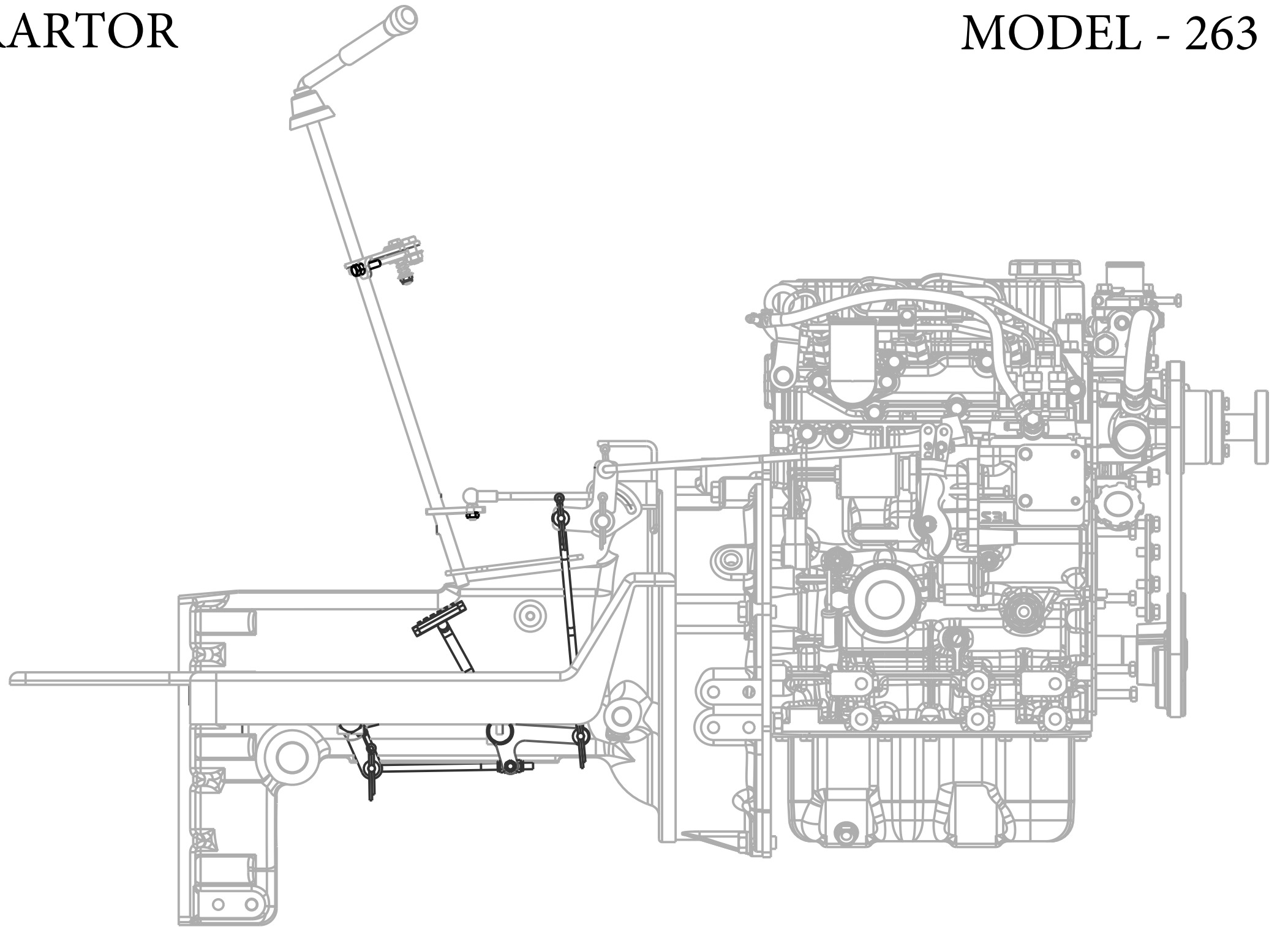


HAND ACCELERATOR
MODEL :- 263, 283, 283 NT
ASSY. NO.:-11305575

SR. NO.	PART NO.	DESCRIPTION	QTY.	REMARKS
1	11202125	GRIP HAND THROTTEL LEVER	1	
2	11205148	HAND ACCELERATOR ASSY	1	
3	11500195	HEX. BOLT M6x25 (F.T.)8.8	1	
4	11501015	PLAIN WASHER Ø6.5xØ15x1.5	2	
5	11201531	WASHER FRICTION	2	
6	11203186	HAND LEVER SUPPORT	1	
7	11501068	PLAIN WASHER Ø8.5XØ19X1.5	2	
8	11500520	NYLOCK HEX NUT M8	2	
9	11201004	SPRING DRAFT & POSITION LEVER	1	
10	11500485	PLAIN WASHER Ø6.5 X Ø23 X 1.5	2	
11	11500037	HEX. NUT M6	2	
12	11205146	BRACKET CAGE MOUNTING	1	
13	11500619	SPLIT PIN 3/32" x 1"	3	
14	11205141	ACCELERATOR ARM	1	
15	11202458	LINK,HAND THROTTLE LEVER	1	
16	11503278	ANGULAR BALL JOINT L-TYPE	1	
17	11205149	SUPPORT ,HAND ACCELERATOR	1	
18	11204991	WASHER, FRICTION Ø6.5 X Ø15 X 1.5	2	
19	11205136	ROD, ACCELERATOR (334 L)	1	
20	11201849	SWIVEL 6mm	1	
21	11500947	NYLOCK HEX. NUT M6	4	
22	11202124	RUBBER COVER HAND THROTTEL LEVER	1	
23	11501077	HEX. BOLT M6x40 (F.T.) 8.8	1	

FOOT ACCELERATOR

MODEL - 263



FOOT ACCELERATOR

MODEL :- 263, 283, 283 NT			ASSY. NO.:-11305567	
SR. NO.	PART NO.	DESCRIPTION	QTY.	REMARKS
1	11205142	LINK, FOOT ACCELERATOR	1	
2	11500619	SPLIT PIN 3/32" x 1"	3	
3	11203185	SUPPORT ARM, FOOT LEVER	1	
4	11202993	SPECIAL BOLT - PARKING BRAKE	1	
5	11500947	NYLOCK HEX. NUT M6	3	
6	11201849	SWIVEL 6mm	1	
7	11202461	LINK, ACCELERATOR CONTROL	1	
8	11202453	PEDAL, ACCELETERATOR	1	
9	11203130	PEDAL PAD (FOOT THROTTLE)	1	
10	11501015	PLAIN WASHER Ø6.5xØ15x1.5	3	
11	11203180	SPECIAL BOLT, PEDAL ACCELERATOR	1	
12	11203255	SPRING FOR ACCELERATOR	1	

1
263 4WD

2
CAPTAIN

3
4X4



5


⚠ DANGER

- KEEP FLAMES AWAY FROM BATTERY.
- DISCONNECT -ve CABLE OF BATTERY BEFORE ANY WELDING OPERATION.
- PROTECT YOURSELF FROM BATTERY, FLAME BURNS CAN RESULT FROM BATTERY ACID.
- IN CASE OF CONTACT WITH ACID, FLUSH WITH PLENTY OF WATER IMMEDIATELY.
- DO NOT JUMP START THE TRACTOR BY SHORTING ACROSS STARTER TERMINALS AS TRACTOR WILL MOVE IF IN GEAR.

11203031.01

6

⚠ WARNING

 <p>FASTEN SEAT BELT</p>	SEAT BELT MUST BE WORN BECAUSE THIS TRACTOR IS EQUIPPED WITH ROLL OVER PROTECTION.
FAILURE TO FASTEN SEAT BELT COULD RESULT IN SERIOUS INJURY OR DEATH	

11203032

7

⚠ WARNING

- READ THE OPERATING MANUAL CAREFULLY BEFORE STARTING THE TRACTOR. FOR QUERIES CONTACT AUTHORIZED DEALER.
- CLEAR THE AREA OF BY STANDERS.
- UNDERSTAND OPERATION AND LOCATION OF CONTROLS.
- START ENGINE ONLY FROM DRIVER SEAT WITH GEAR LEVER IN NEUTRAL POSITION BY PRESSING CLUTCH PEDAL.
- WHILE DRIVING ON ROAD, BRAKE PEDALS SHOULD BE LOCKED TOGETHER, USE SLOW MOVING VEHICLE EMBLEM AND WARNING LIGHTS.
- DO NOT RUN FAST ON ROUGH GROUND, TURNS AND SLOPES TO AVOID JERKS.
- SITTING IS PROHIBITED ON FENDERS IF THERE IS NO SPECIFIC SEAT PROVIDED.
- DISENGAGE PTO AND STOP ENGINE BEFORE ATTACHING OR DETACHING IMPLEMENTS.
- BEFORE LEAVING THE TRACTOR SEAT, LOWER THE EQUIPMENT, POSITION GEAR LEVER IN NEUTRAL, STOP ENGINE AND APPLY PARKING BRAKE.

8

⚠ WARNING

- PULL ONLY FROM DRAWBAR. PULLING FROM ANY OTHER POINT CAN CAUSE REAR OVERTURN.
- DO NOT OPERATE THE PTO WITHOUT GUARD.
- USE SAFETY CHAIN WHEN TOWING EQUIPMENT

FAILURE TO FOLLOW ANY OF THE ABOVE INSTRUCTIONS, CAN RESULT IN SERIOUS INJURY TO OPERATOR OR OTHER PERSON.

9



10

⚠ SAFETY INSTRUCTIONS

- It is essential to read the manual carefully.
- Do not take off belt or adjustment while Tractor is running.
- Do not enter or exit from the Tractor when it is in the motion except the emergency.
- Do not stand in-between the Tractor and Equipment while operating the control.
- Keep clothing hand and feet away from moving parts.
- Do not make any adjustment when tractor is in the operation.
- Wear adequate Footwear and snug-fitting clothing. Do not sit or stand on the unsafe place when Tractor is running.
- Keep Display Boards, Handles and Driver seat clean.
- Keep All Safety Guards at the place while working.
- Make sure that no train is coming while crossing the unguarded railway crossing.

11

CAPTAIN ⚠ WARNING

ENGINE PRECAUTION

- FOR FIRST 100 HRS. OPERATE TRACTOR WITH LOAD ONLY (LIKE CULTIVATOR, LOADED TROLLEY ETC.)
- AVOID UNNECESSARY ENGINE IDLING

PTO PRECAUTION

- KEEP HANDS, FEET AND CLOTHING AWAY FROM PTO AND OTHER MOVING PARTS.
- DISENGAGE PTO AND SHUT OFF ENGINE BEFORE SERVICING TRACTOR OR IMPLEMENTS.
- KEEP PTO COVER SHIELDS IN PLACE IN CASE OF NOT USE OF PTO.

TYRE INFLATION PRESSURE

		TYRE SIZE	INFLATION PRESSURE (KG/CM ²)
FRONT		180/85D12 (Agricultural)	2.53
		23x8.5-12 (Wider F-Agr)	1.00
		6.5/80-12 (Agricultural - Wide)	2.53
		23x8.5-12 (Turf)	1.54
		23x8.5-12 (Flotation)	2.46
REAR		220/55 R12 (Galaxy Garden Pro)	1.79
		8.3 x 20 (Agricultural)	2.46
		280/70R18 (Agricultural - Wide)	1.54
		33x15.5-16.5 (Turf)	1.54
		33x15.5-16.5 (Flotation)	1.54
	280/70 R16 (Galaxy Garden Pro)	1.58	

12



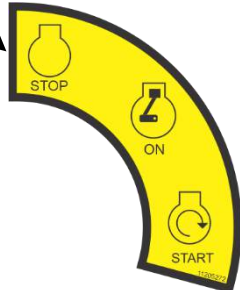
13



14



15



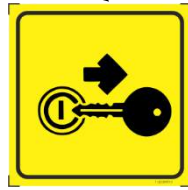
16



17



18



19



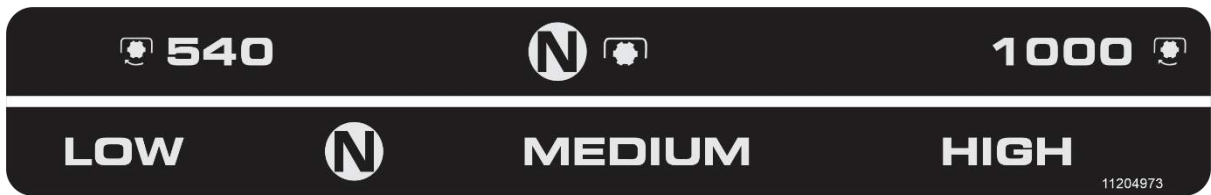
20



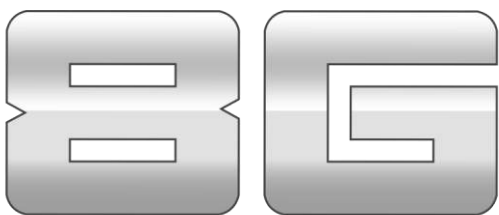
21



22



23



24



25

STAGE V

26

FINAL APPROVAL

Product Code : _____

Date : _____ Sign : _____

CAPTAIN TRACTORS PVT. LTD.
11205165.00

27

PRE DELIVERY INSPECTION

Date : _____ Sign : _____

CAPTAIN TRACTORS PVT. LTD.
11205164.00

28



29



30

Powered by



**MITSUBISHI
DIESEL ENGINE**

31

Ⓢ SERVICE INSTRUCTIONS

1. CLEAN THE PRIMARY FILTER ELEMENT AFTER EVERY 250 HRS OF OPERATION OR IMMEDIATELY WHEN THE RED BAND APPEARS ON THE SERVICE INDICATOR.
2. NEVER REMOVE THE SECONDARY ELEMENT FOR CLEANING. ONLY REMOVE WHEN REPLACEMENT OF IT IS REQUIRED.
3. REPLACE PRIMARY & SECONDARY ELEMENT UPON 3RD CLEANING REQUIREMENT OF THE PRIMARY ELEMENT OR AT 750 HOURS (WHICHEVER OCCURS EARLIER).
4. GENTLY PULL FILTER ELEMENT BACKWARDS TO REMOVE FILTER OUT FROM HOUSING.

⚠ CAUTION:

5. CLEAN PRIMARY ELEMENT ONLY BY TAPPING VERTICALLY ONLY ON CLEAN FLOOR. DON'T TAP DIAGONALLY/AT AN INCLINED ANGLE.
6. SECONDARY ELEMENT SHOULD NOT BE CLEANED OR REMOVED DURING CLEANING OF PRIMARY ELEMENT.
7. USE CLEAN CLOTH TO WIPE SEALING AREAS OF FILTER ELEMENT WITHOUT REMOVING SECONDARY ELEMENT.
8. ENSURE PROPER SEATING OF FILTER INTO HOUSING BEFORE LATCHING THE COVER. DO NOT USE LATCHES ON THE COVER TO FORCE THE FILTER INTO AIR CLEANER WHICH COULD CAUSE DAMAGE TO HOUSING AND WILL VOID THE WARRANTY.
9. THE VACUATOR VALVE SHOULD ALWAYS BE IN PERFECTLY DOWNWARD DIRECTION.



11203016

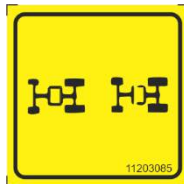
32

⚠ WARNING

- COOLING SYSTEM REMAINS UNDER PRESSURE.
- DO NOT REMOVE RADIATOR CAP WHEN SYSTEM IS HOT.
- ALWAYS TURN THE CAP SLOWLY AND ALLOW PRESSURE TO ESCAPE BEFORE REMOVING THE CAP COMPLETELY.
- WHEN OPERATING BELOW 0°C, USE SUITABLE ANTIFREEZE WITH WATER.

11203030

33



34



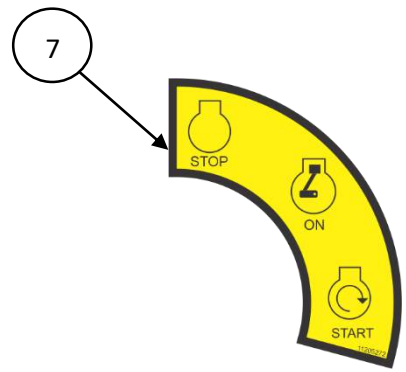
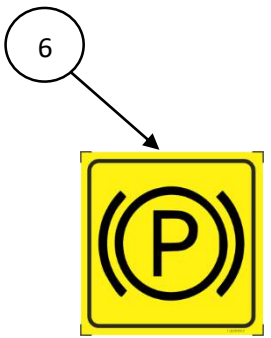
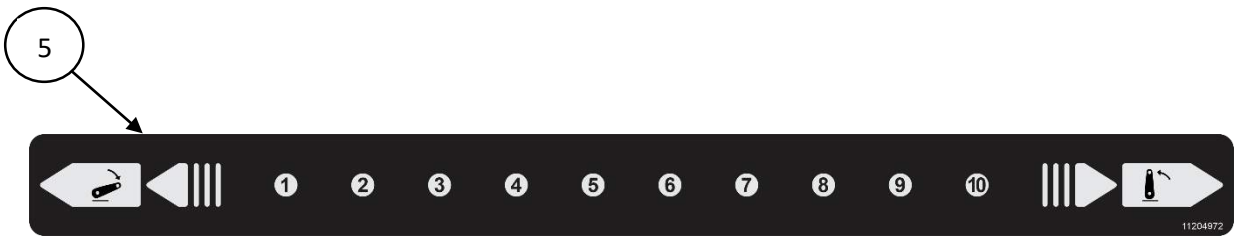
DECALS & STICKERS				
MODEL :- 263			ASSY. NO.:-11305598	
SR. NO.	PART NO.	DESCRIPTION	QTY	REMARKS
1	11205271	DECALS "263 4WD"	2	
2	11202140	DECALS 3D "CAPTAIN"	2	
3	11202144	DECALS "4X4"	2	
4	11203288	STICKERS OIB	1	
5	11203031	STICKER BATTERY	1	
6	11203032	STICKERS SEAT	1	
7	11203033	STICKER WARNING	1	
8	11203034	STICKER DRAWBAR	1	
9	11204972	STICKER POSITION LEVER	1	
10	11203036	STICKER SAFETY INSTRUCTION	1	
11	11203037	STICKER TYRE INFLATION PRESSURE	1	
12	11203077	STICKER JACK POINT	3	
13	11203078	STICKER PARKING BRAKE	1	
14	11203079	STICKER PTO SAFETY	1	
15	11205272	STICKER IGNITION	1	
16	11203083	STICKER HAND THROTTLE LEVER	1	
17	11203086	STICKER READ OPERATOR MANUAL	1	
18	11203087	STICKER BONNET LOCK	1	
19	11203388	STICKER MOVING PART WARNING	1	
20	11202768	STICKER WARNING SIGNAL	1	
21	11202784	STICKER REAR COUPLING	1	
22	11204973	STICKER, HML & PTO	1	
23	11205198	DECALS 8G	2	
24	11205398	THE EIGHT GENERATION (DOME) LABEL	2	
25	11205507	DECALS (STAGE -V)	1	
26	11205165	STICKER, FINAL APPROVAL	1	
27	11205164	STICKER, PRE DELIVERY INSPECTION	1	
28	11204826	DECALS DIFFERENTIAL LOCK (STAGE -V)	1	
29	11203258	3D " C " EMBLEM	1	
30	11204827	DECALS MITSUBISHI (STAGE -V)	2	
31	11203018	INSTRUCTION STICKER DRY AIR CLEANER	1	
32	11203030	STICKER RADIATOR (273)	1	
33	11203085	STICKER 4WD-2WD	1	
34	11203287	STICKER, DIFFERENTIAL LOCK (3+1)	1	

1
283 4WD

2
CAPTAIN

3
4X4

4
OIB
OIL IMMERSSED BRAKES



8



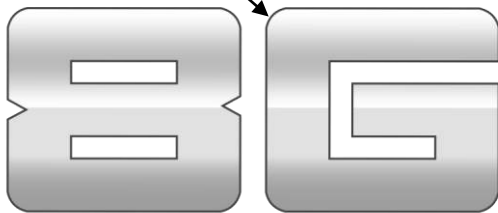
9



10



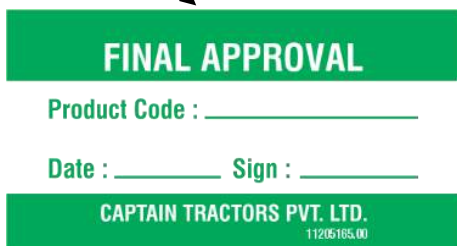
11



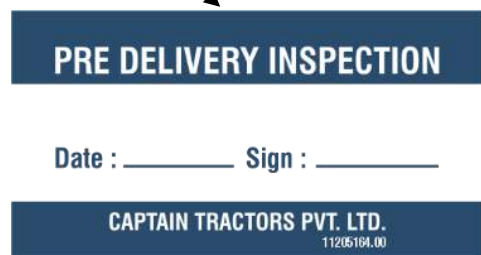
12

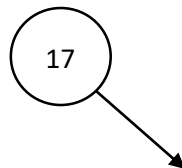
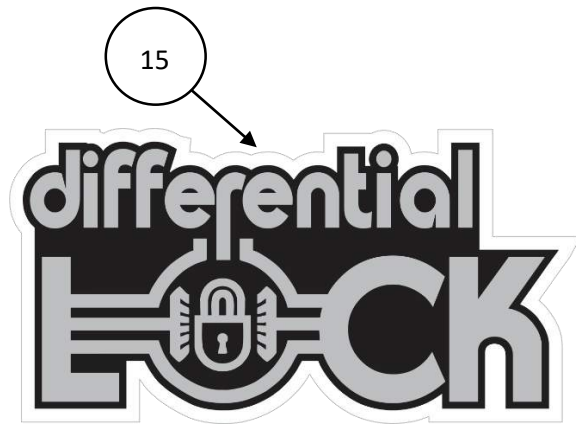


13



14





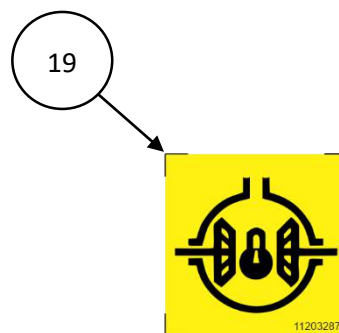
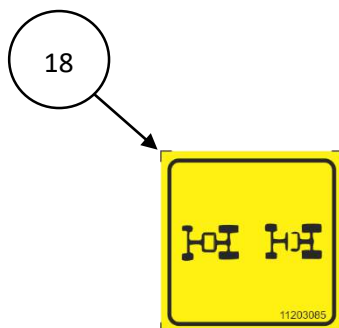
Ⓢ SERVICE INSTRUCTIONS

1. CLEAN THE PRIMARY FILTER ELEMENT AFTER EVERY 250 HRS OF OPERATION OR IMMEDIATELY WHEN THE RED BAND APPEARS ON THE SERVICE INDICATOR.
2. NEVER REMOVE THE SECONDARY ELEMENT FOR CLEANING. ONLY REMOVE WHEN REPLACEMENT OF IT IS REQUIRED.
3. REPLACE PRIMARY & SECONDARY ELEMENT UPON 3RD CLEANING REQUIREMENT OF THE PRIMARY ELEMENT OR AT 750 HOURS (WHICHEVER OCCURS EARLIER).
4. GENTLY PULL FILTER ELEMENT BACKWARDS TO REMOVE FILTER OUT FROM HOUSING.

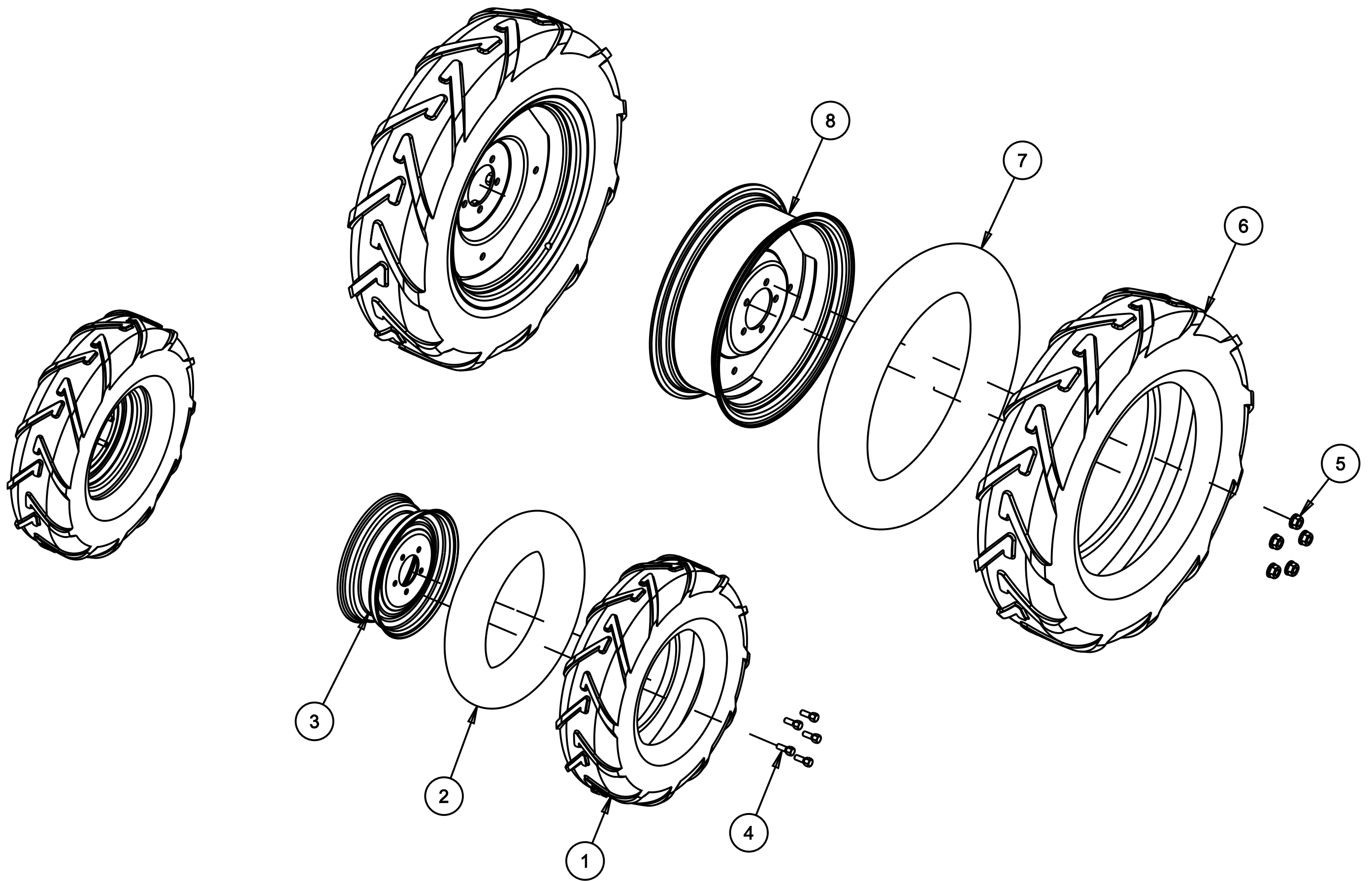
⚠ CAUTION:

5. CLEAN PRIMARY ELEMENT ONLY BY TAPPING VERTICALLY ONLY ON CLEAN FLOOR. DON'T TAP DIAGONALLY/AT AN INCLINED ANGLE.
6. SECONDARY ELEMENT SHOULD NOT BE CLEANED OR REMOVED DURING CLEANING OF PRIMARY ELEMENT.
7. USE CLEAN CLOTH TO WIPE SEALING AREAS OF FILTER ELEMENT WITHOUT REMOVING SECONDARY ELEMENT.
8. ENSURE PROPER SEATING OF FILTER INTO HOUSING BEFORE LATCHING THE COVER. DO NOT USE LATCHES ON THE COVER TO FORCE THE FILTER INTO AIR CLEANER WHICH COULD CAUSE DAMAGE TO HOUSING AND WILL VOID THE WARRANTY.
9. THE VACUATOR VALVE SHOULD ALWAYS BE IN PERFECTLY DOWNWARD DIRECTION.

11203016



DECALS & STICKERS				
MODEL :- 283, 283 NT			ASSY. NO.:-11305682	
SR. NO.	PART NO.	DESCRIPTION	QTY	REMARKS
1	11202828	DECALS "283 4WD"	2	
2	11202140	DECALS 3D "CAPTAIN"	2	
3	11202144	DECALS "4X4"	2	
4	11203288	STICKERS OIB	2	
5	11204972	STICKER POSITION LEVER	1	
6	11203078	STICKER PARKING BRAKE	1	
7	11205272	STICKER IGNITION	1	
8	11203083	STICKER HAND THROTTLE LEVER	1	
9	11205623	PULL TO OPEN BONNET	1	
10	11204973	STICKER, HML & PTO	1	
11	11205198	DECALS 8G	2	
12	11205398	THE EIGHT GENERATION (DOME) LABEL	2	
13	11205165	STICKER, FINAL APPROVAL	1	
14	11205164	STICKER, PRE DELIVERY INSPECTION	1	
15	11204826	DECALS DIFFERENTIAL LOCK (STAGE -V)	1	
16	11203258	3D " C " EMBLEM	1	
17	11203018	INSTRUCTION STICKER DRY AIR CLEANER	1	
18	11203085	STICKER 4WD-2WD	1	
19	11203287	STICKER, DIFFERENTIAL LOCK (3+1)	1	

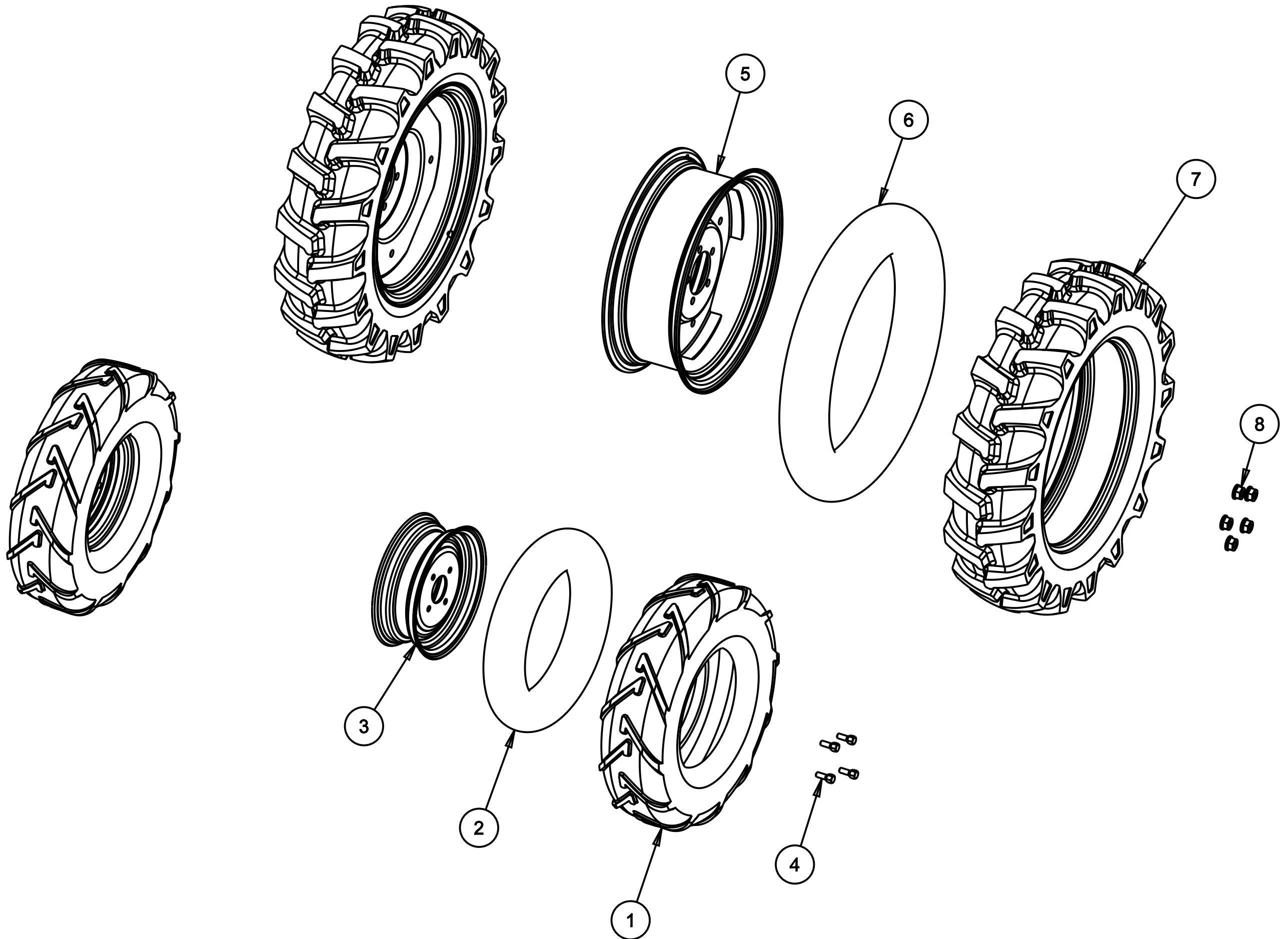


FRONT & REAR WHEEL ASSEMBLY

MODEL :- 263

ASSY. NO.:-11305568

SR. NO.	PART NO.	DESCRIPTION	QTY.	REMARKS
1	11404727	TYRE 180/85 D12, TR-128 (BKT)	2	
2	11401878	TUBE- 6.00 X 12	2	
3	11403038	WHEEL RIM 4JA X 12	2	
4	11501144	HEX. BOLT 1/2" UNF 20 TPI (10.9)	10	
5	11202778	NUT FLANGE HEADED, REAR WHEEL	10	
6	11402459	TYRE, 8.3 X 20 (BKT)	2	
7	11402756	TUBE, REAR 8.3 x 20 (BKT)	2	
8	11401866	WHEEL RIM REAR - W7 x 20	2	

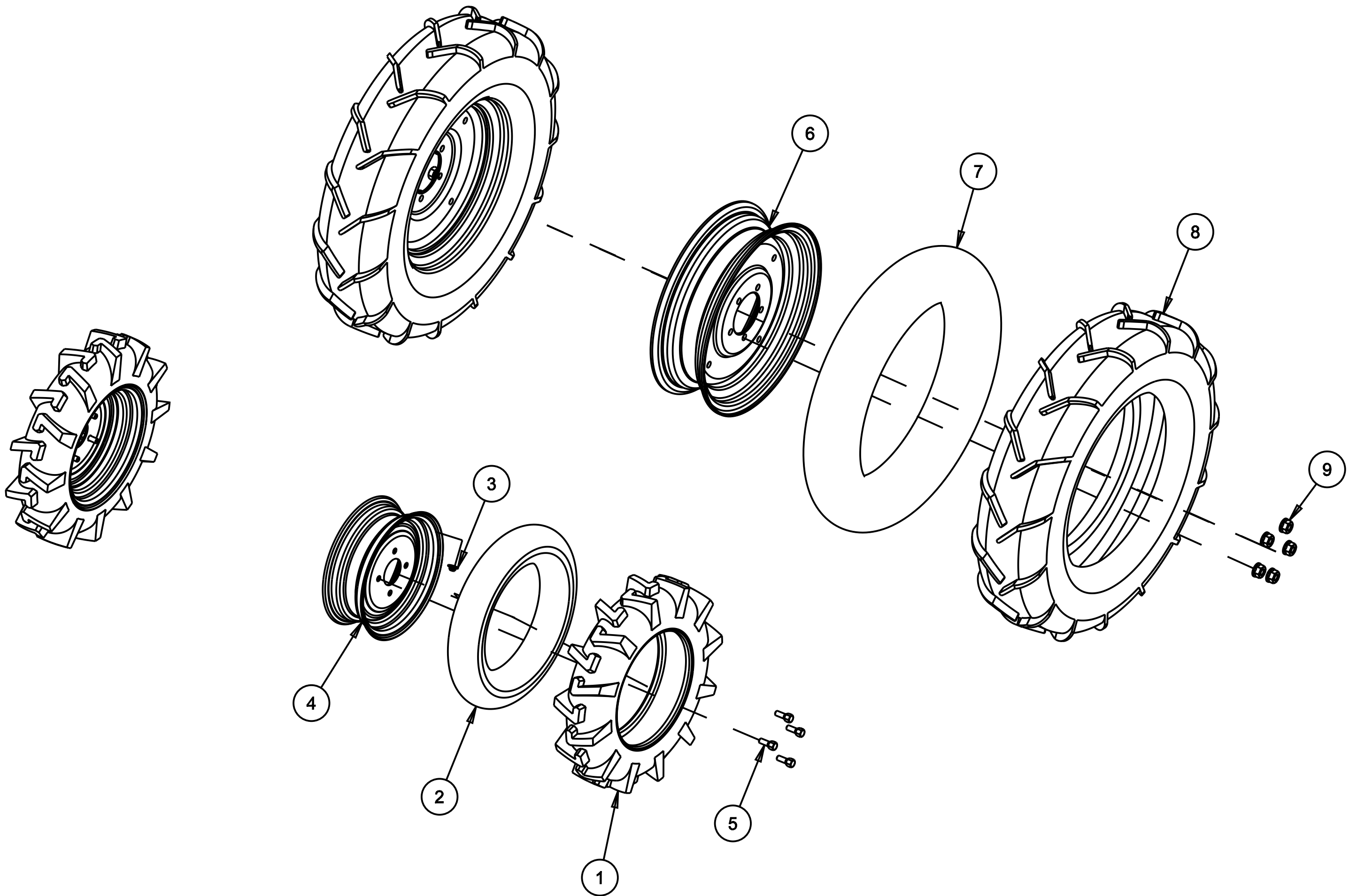


FRONT & REAR WHEEL ASSEMBLY

MODEL :- 283

ASSY. NO.:-11305676

SR. NO.	PART NO.	DESCRIPTION	QTY.	REMARKS
1	11404944	TYRE FRONT 180/85D12 - 6 PR	2	
2	11404945	TUBE FRONT 180/85D12	2	
3	11402060	WHEEL RIM 4JA X 12	2	
4	11501144	HEX. BOLT 1/2" UNF 20 TPI (10.9)	8	
5	11401866	WHEEL RIM REAR - W7 x 20	2	
6	11401880	TUBE REAR 8.3 x 20	2	
7	11401879	TYRE, REAR 8.3 X 20	2	
8	11202778	NUT FLANGE HEADED, REAR WHEEL	10	

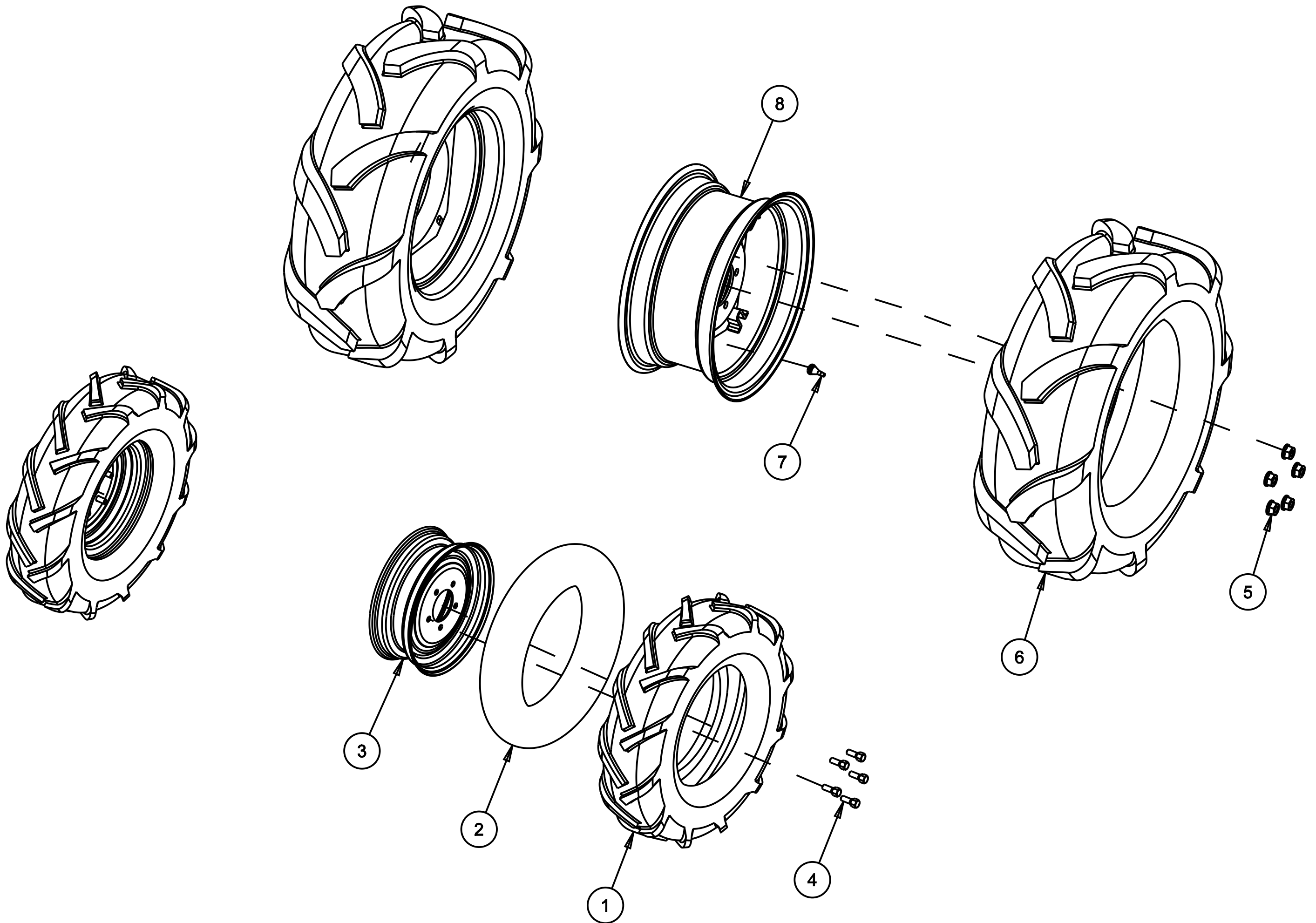


FRONT & REAR WHEEL ASSEMBLY

MODEL :- 283 NT

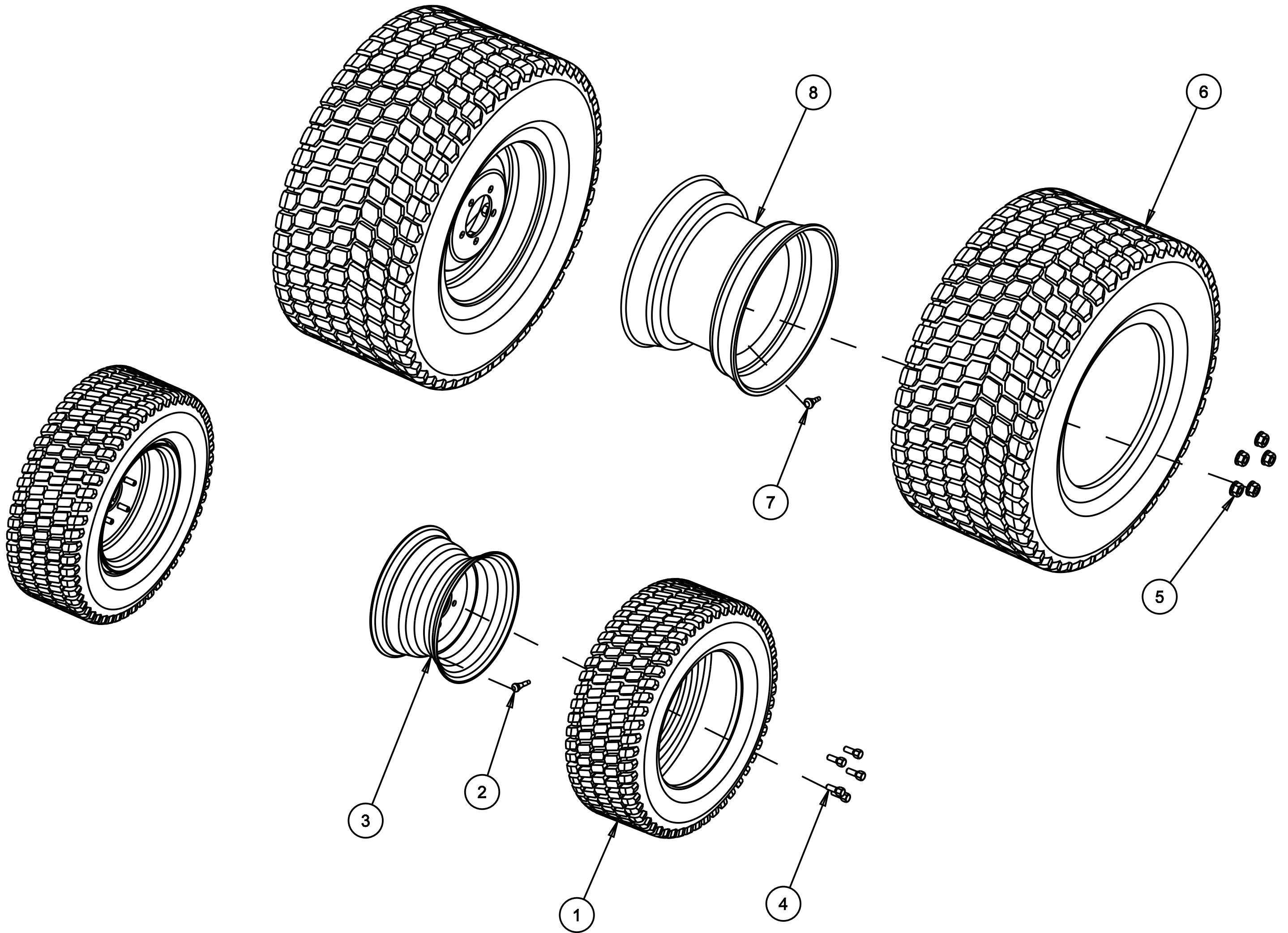
ASSY. NO.:-11305925

SR. NO.	PART NO.	DESCRIPTION	QTY.	REMARKS
1	11401154	TYRE - 5.00x12	2	
2	11401153	TUBE- 5.00x12	2	
3	11403197	PLASTIC BUSHING TR B6	2	
4	11402060	WHEEL RIM 4JA X 12	2	
5	11501144	HEX. BOLT 1/2" UNF 20 TPI (10.9)	8	
6	11400291	REAR TRACTOR WHEEL RIM - 5.5FX18	2	
7	11400301	REAR TRACTOR TYRE TUBE - 8.00 X 18	2	
8	11400302	REAR TRACTOR TYRE - 8.00 X 18	2	
9	11202778	NUT FLANGE HEADED, REAR WHEEL	10	



FRONT & REAR WHEEL ASSY (AGRI-WIDE)

MODEL :- 263			ASSY. NO.:-11305630	
SR. NO.	PART NO.	DESCRIPTION	QTY.	REMARKS
1	11404729	TYRE 6.5/80-12 (AGRICULTURAL WIDE)	2	
2	11401878	TUBE- 6.00 X 12	2	
3	11403038	WHEEL RIM 4JA X 12	2	
4	11501144	HEX. BOLT 1/2" UNF 20 TPI (10.9)	10	
5	11202778	NUT FLANGE HEADED, REAR WHEEL	10	
6	11404726	TYRE 280/70 R18 (AGRICULTURAL WIDE)	2	
7	11202287	VALVE TR 415	2	
8	11404707	WHEEL RIM -W9x18	2	

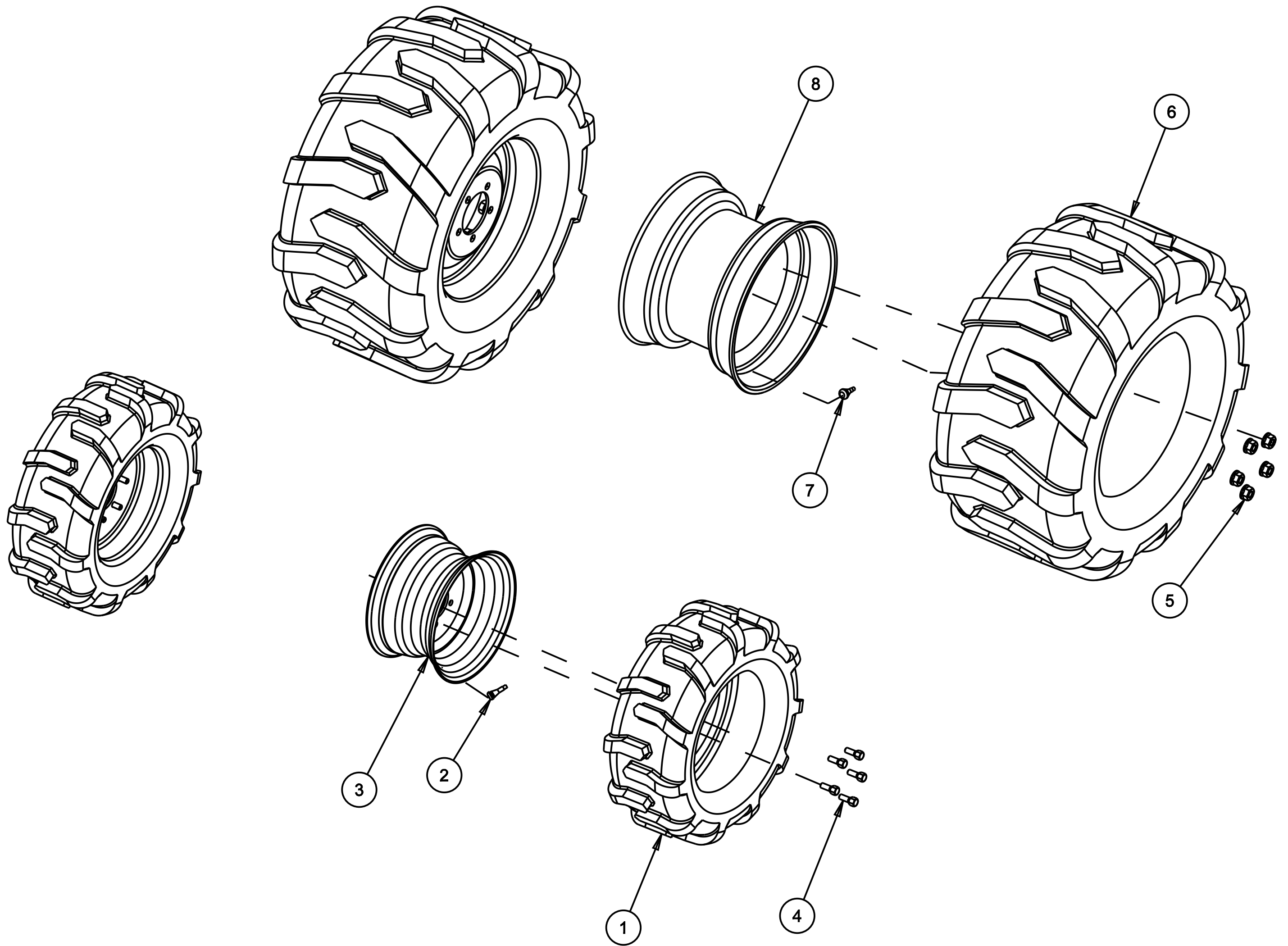


FRONT & REAR WHEEL ASSY (TURF)

MODEL :- 263

ASSY. NO.:-11305631

SR. NO.	PART NO.	DESCRIPTION	QTY.	REMARKS
1	11402112	TYRE 23 X 8.5-12 (TURF)	2	
2	11402309	VALVE TR 414	2	
3	11402116	WHEEL RIM - 7.00 X 12	2	
4	11501144	HEX. BOLT 1/2" UNF 20 TPI (10.9)	10	
5	11202778	NUT FLANGE HEADED, REAR WHEEL	10	
6	11402114	TYRE 33 X 15.5-16.5 (TURF)	2	
7	11202287	VALVE TR 415	2	
8	11402118	REAR TRACTOR WHEEL RIM - 16.5 X 12.00	2	

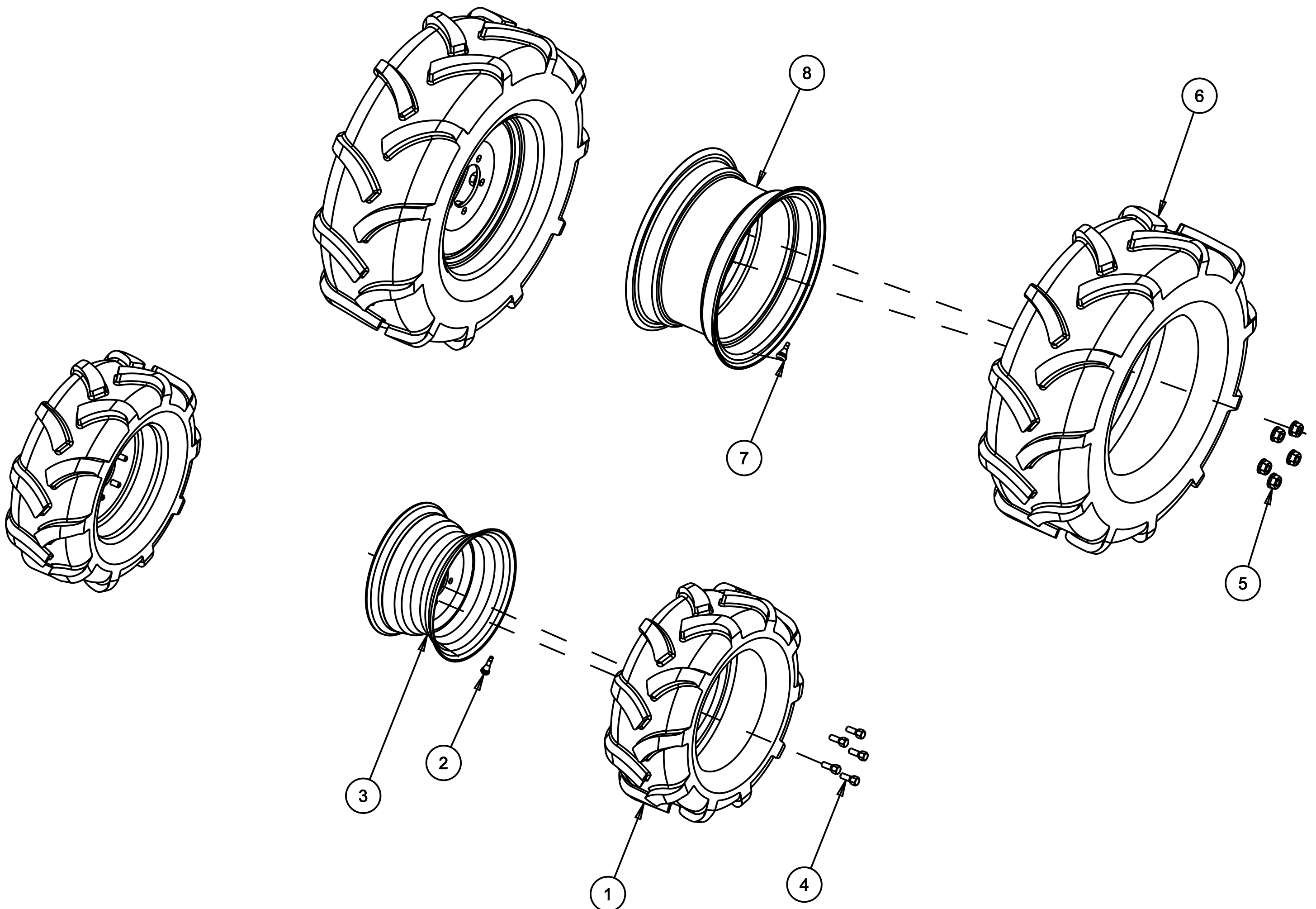


FRONT & REAR WHEEL ASSY (FLOTATION)

MODEL :- 263

ASSY. NO.:-11305632

SR. NO.	PART NO.	DESCRIPTION	QTY.	REMARKS
1	11402113	TYRE, 23x8.5-12 (FLOTATION)	2	
2	11402309	VALVE TR 414	2	
3	11402116	WHEEL RIM - 7.00 X 12	2	
4	11501144	HEX. BOLT 1/2" UNF 20 TPI (10.9)	10	
5	11202778	NUT FLANGE HEADED, REAR WHEEL	10	
6	11404728	TYRE, 33x15.5-16.5 (FLOTATION)	2	
7	11202287	VALVE TR 415	2	
8	11402118	REAR TRACTOR WHEEL RIM - 16.5 X 12.00	2	

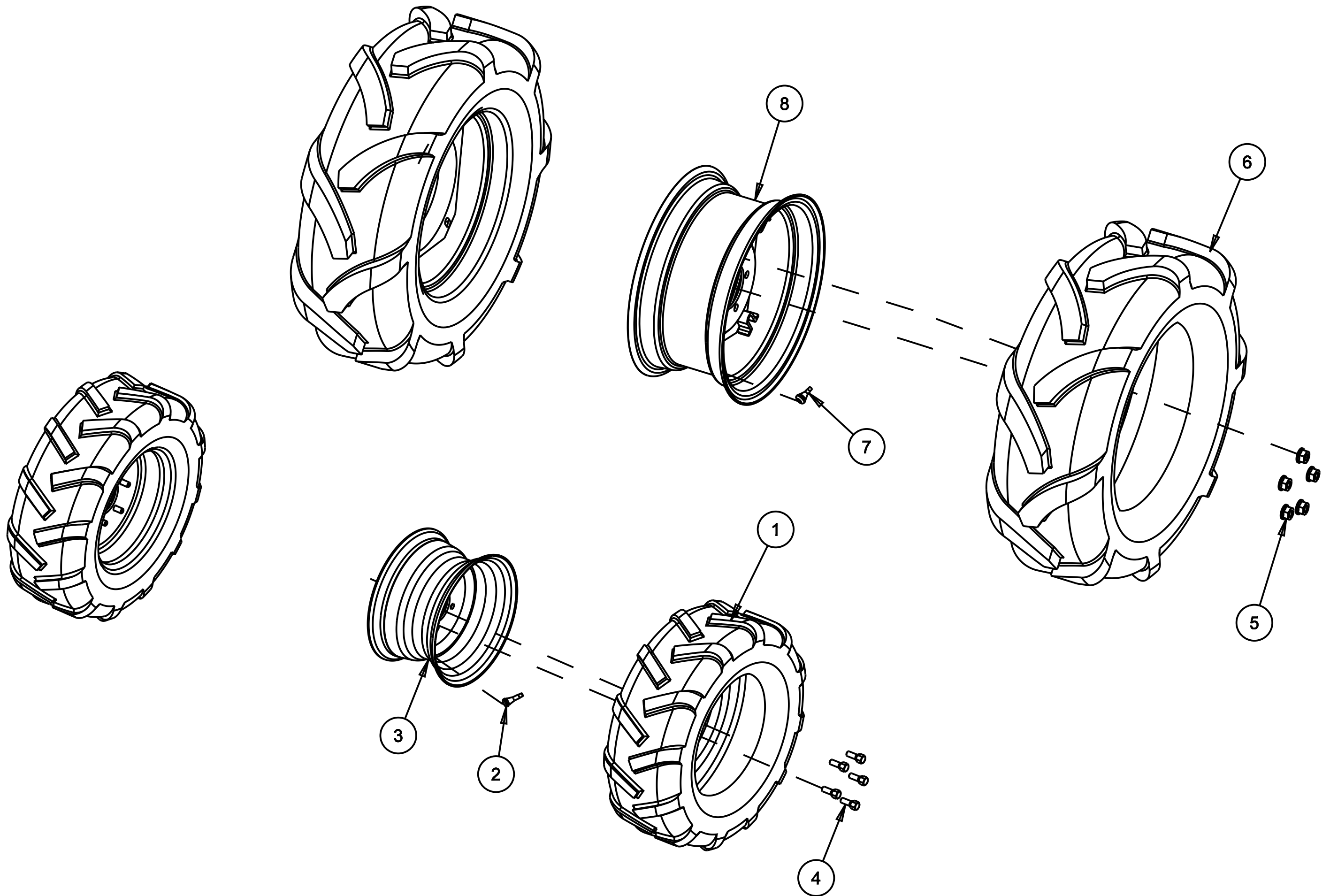


FRONT & REAR WHEEL ASSY (GARDEN GALAXY PRO)

MODEL :- 263

ASSY. NO.:-11305633

SR. NO.	PART NO.	DESCRIPTION	QTY.	REMARKS
1	11404867	TYRE 220/55R12 (GALAXY GARDEN PRO)	2	
2	11402309	VALVE TR 414	2	
3	11402116	WHEEL RIM - 7.00 X 12	2	
4	11501144	HEX. BOLT 1/2" UNF 20 TPI (10.9)	10	
5	11202778	NUT FLANGE HEADED, REAR WHEEL	10	
6	11404866	TYRE 280/70R16 (GALAXY GARDEN PRO)	2	
7	11202287	VALVE TR 415	2	
8	11404853	WHEEL RIM -W9x16	2	

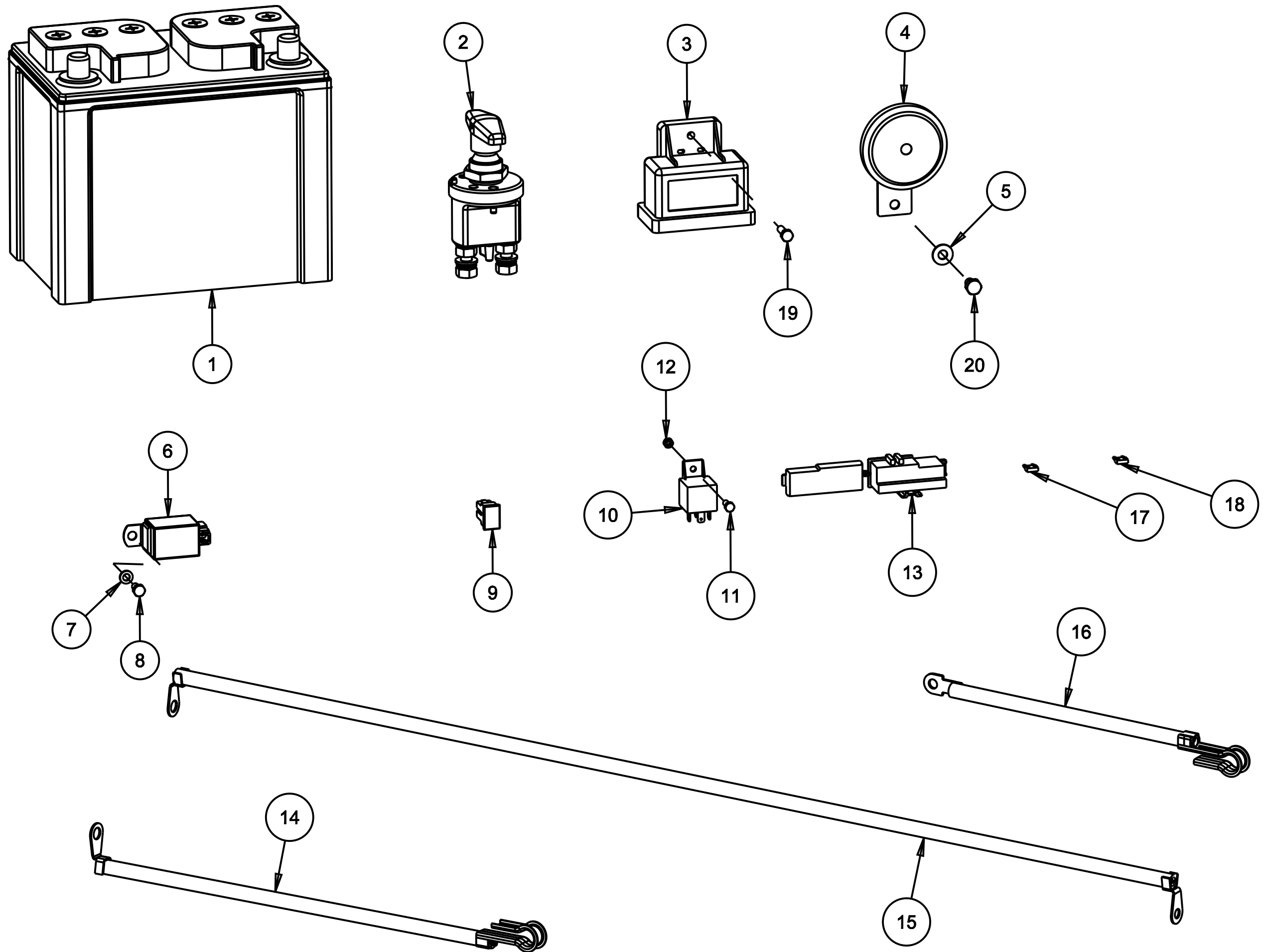


FRONT & REAR WHEEL ASSY (WIDER F- AGR)

MODEL :- 263

ASSY. NO.:-11305634

SR. NO.	PART NO.	DESCRIPTION	QTY.	REMARKS
1	11405088	TYRE 23 X 8.5-12 TR315	2	
2	11402309	VALVE TR 414	2	
3	11402116	WHEEL RIM - 7.00 X 12	2	
4	11501144	HEX. BOLT 1/2" UNF 20 TPI (10.9)	10	
5	11202778	NUT FLANGE HEADED, REAR WHEEL	10	
6	11404726	TYRE 280/70 R18 (AGRICULTURAL WIDE)	2	
7	11202287	VALVE TR 415	2	
8	11404707	WHEEL RIM -W9x18	2	

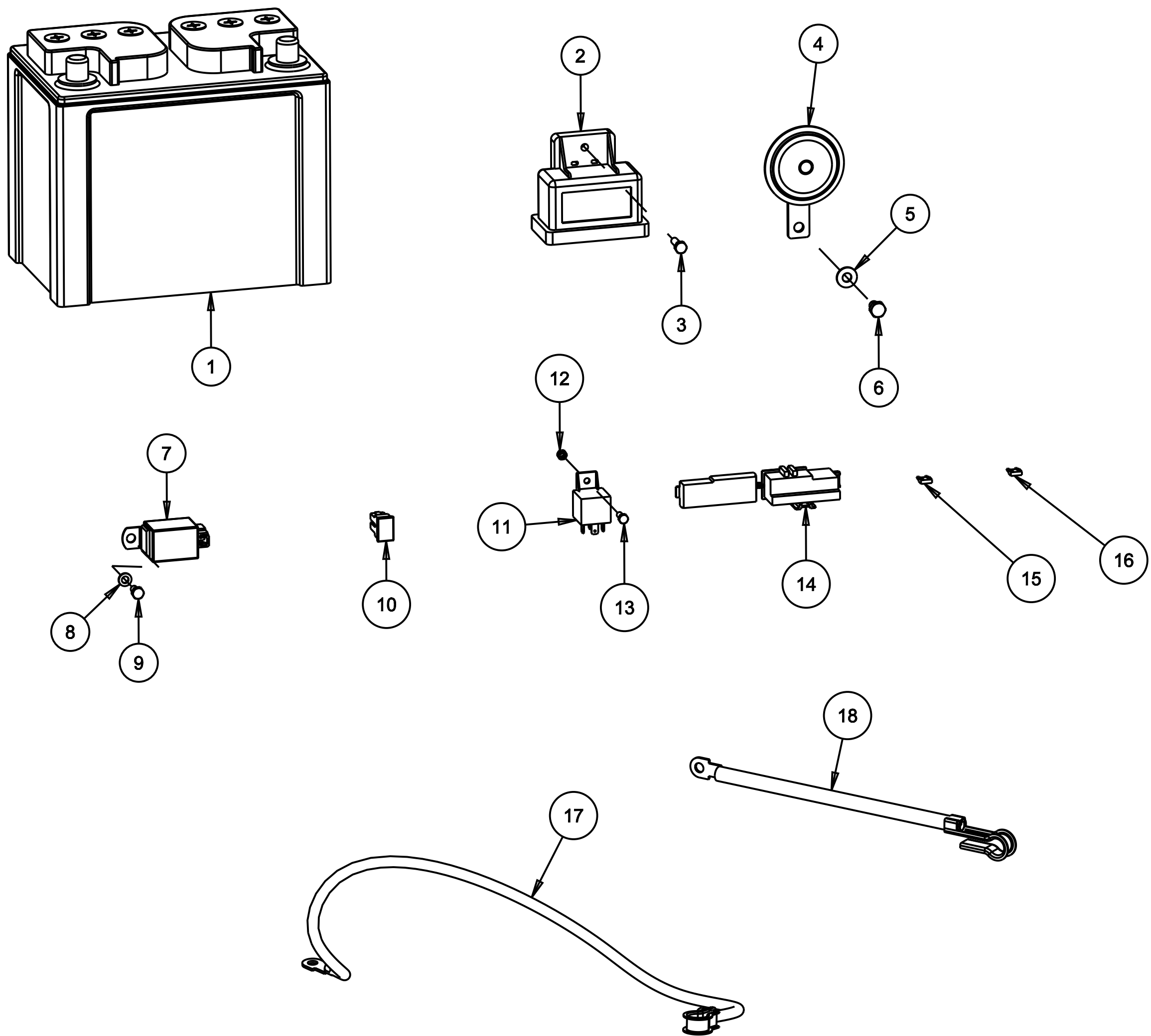


ELECTRICAL COMPONENT 1

MODEL :- 263

ASSY. NO.:-11305557

SR. NO.	PART NO.	DESCRIPTION	QTY.	REMARKS
1	11400548	BATTERY (FEF2-MFS70)	1	
2	11405170	BATTERY CUT-OFF SWITCH	1	
3	11404993	GLOW DURATION UNIT	1	
4	11401992	HORN 12V	1	
5	11501068	PLAIN WASHER Ø8.5XØ19X1.5	1	
6	11405124	ELECTRONIC FLASHER-LED	1	
7	11500073	SPRING WASHER - 6 mm	1	
8	11500484	HEX. BOLT M6 X 12 (F.T.)	1	
9	11404793	FUSE 60A	1	
10	11404773	RELAY 70A	1	
11	11501034	HEX. BOLT M5x12 (F.T.) 8.8	1	
12	11500931	NYLOCK HEX. NUT M5	1	
13	11405005	9 POLE FUSE BOX ASSY.	1	
14	11402515	BATTERY CABLE 481 L	1	
15	11402516	BATTERY CABLE 1061L	1	
16	11402775	BATTERY CABLE SMALL	1	
17	11402199	FUSE BLADE TYPE (15 Amp)	1	CHILD PART
18	11402200	FUSE BLADE TYPE (20 Amp)	1	CHILD PART
19	11500426	HEX. BOLT M6x20 (F.T.)8.8	1	
20	11500489	HEX BOLT M8 X 12 (F.T.)	1	

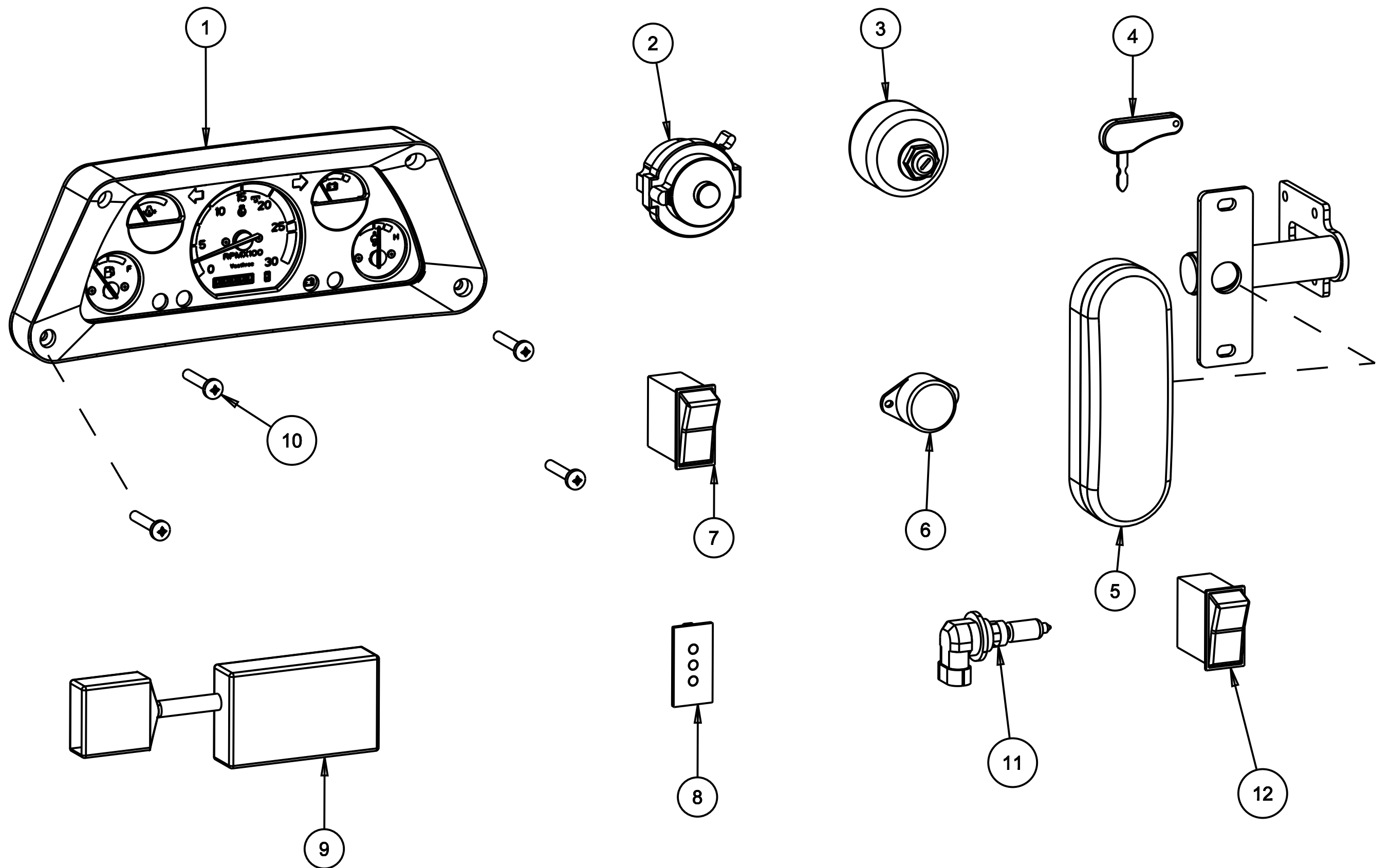


ELECTRICAL COMPONENT 1

MODEL :- 283, 283 NT

ASSY. NO.:-11305672

SR. NO.	PART NO.	DESCRIPTION	QTY.	REMARKS
1	11400548	BATTERY (FEF2-MFS70)	1	
2	11404993	GLOW DURATION UNIT	1	
3	11500426	HEX. BOLT M6x20 (F.T)8.8	1	
4	11400518	HORN (2B TYPE	1	
5	11501068	PLAIN WASHER Ø8.5XØ19X1.5	1	
6	11500489	HEX BOLT M8 X 12 (F.T.)	1	
7	11405124	ELECTRONIC FLASHER-LED	1	
8	11500073	SPRING WASHER - 6 mm	1	
9	11500484	HEX. BOLT M6 X 12 (F.T.)	1	
10	11404793	FUSE 60A	1	
11	11404773	RELAY 70A	1	
12	11500931	NYLOCK HEX. NUT M5	1	
13	11501034	HEX. BOLT M5x12 (F.T.) 8.8	1	
14	11405005	9 POLE FUSE BOX ASSY.	1	
15	11402199	FUSE BLADE TYPE (15 Amp)	1	CHILD PART
16	11402200	FUSE BLADE TYPE (20 Amp)	1	CHILD PART
17	11401794	BATTERY CABLE POSITIVE (850 L)	1	
18	11402775	BATTERY CABLE SMALL	1	

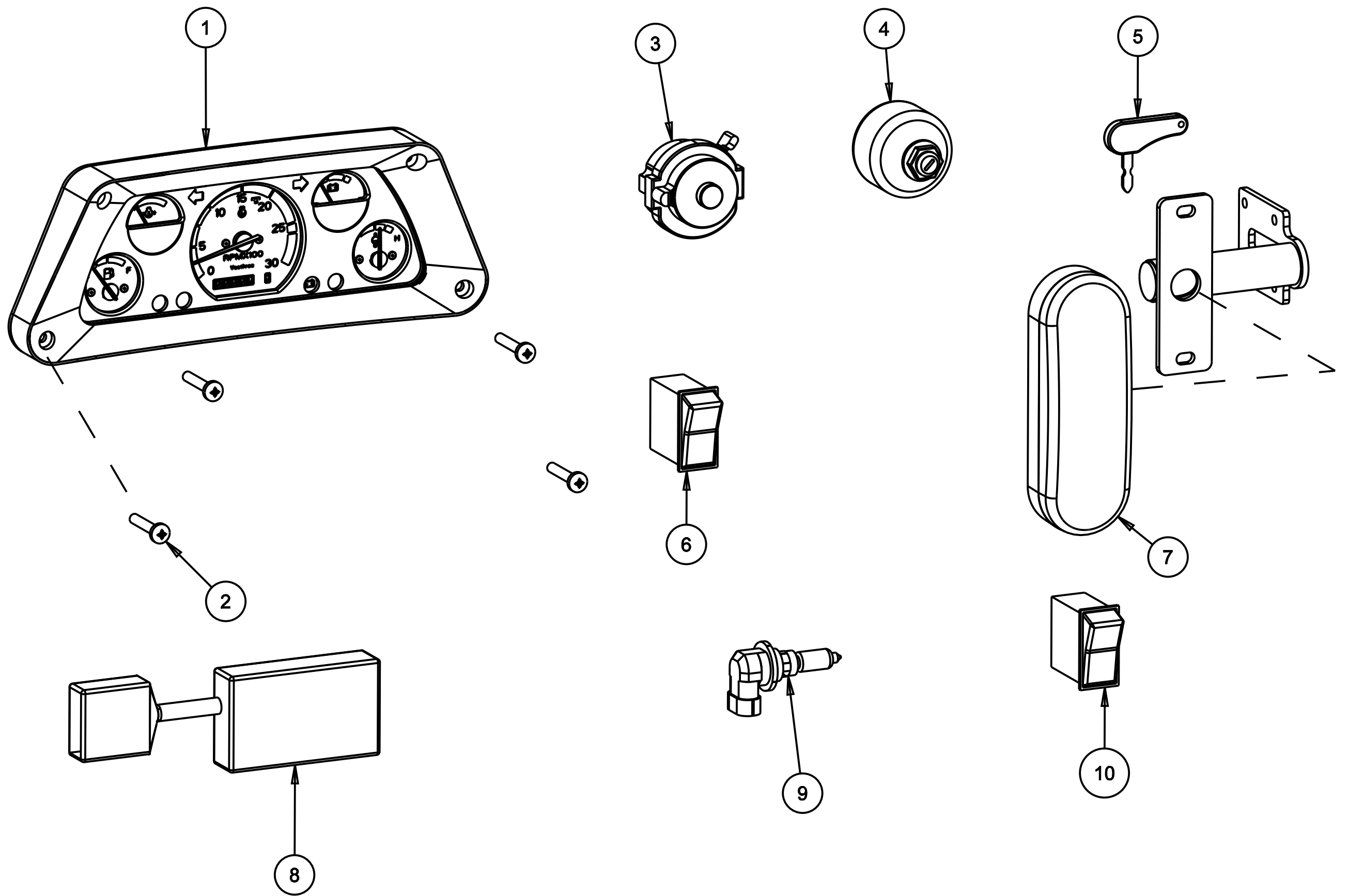


ELECTRICAL COMPONENT 2

MODEL :- 263

ASSY. NO.:-11305558

SR. NO.	PART NO.	DESCRIPTION	QTY.	REMARKS
1	11402490	INSTRUMENT CLUSTER (273)	1	
2	11405408	PANEL MOUNTED COMBINATION SWITCH ASSEMBLY	1	
3	11401990	STARTER SWITCH ASSEMBLY	1	
4	11201991	KEY (MOULDED) STARTER SWITCH	1	
5	11405080	FENDER LAMP ASSEMBLY - FRONT (LED)	2	
6	11405138	BUZZER	1	
7	11401988	HAZARD WARNING SWITCH ASSEMBLY	1	
8	11404730	LED INDICATOR	1	
9	11205209	ELECTRONIC CONTROL UNIT(ETS-TYPE)	1	
10	11502176	SCREW M6 X 35	4	
11	11405372	BULB HB3 12V 60W	1	
12	11405541	WORK LAMP SWITCH	1	



ELECTRICAL COMPONENT 2

MODEL :- 283, 283 NT

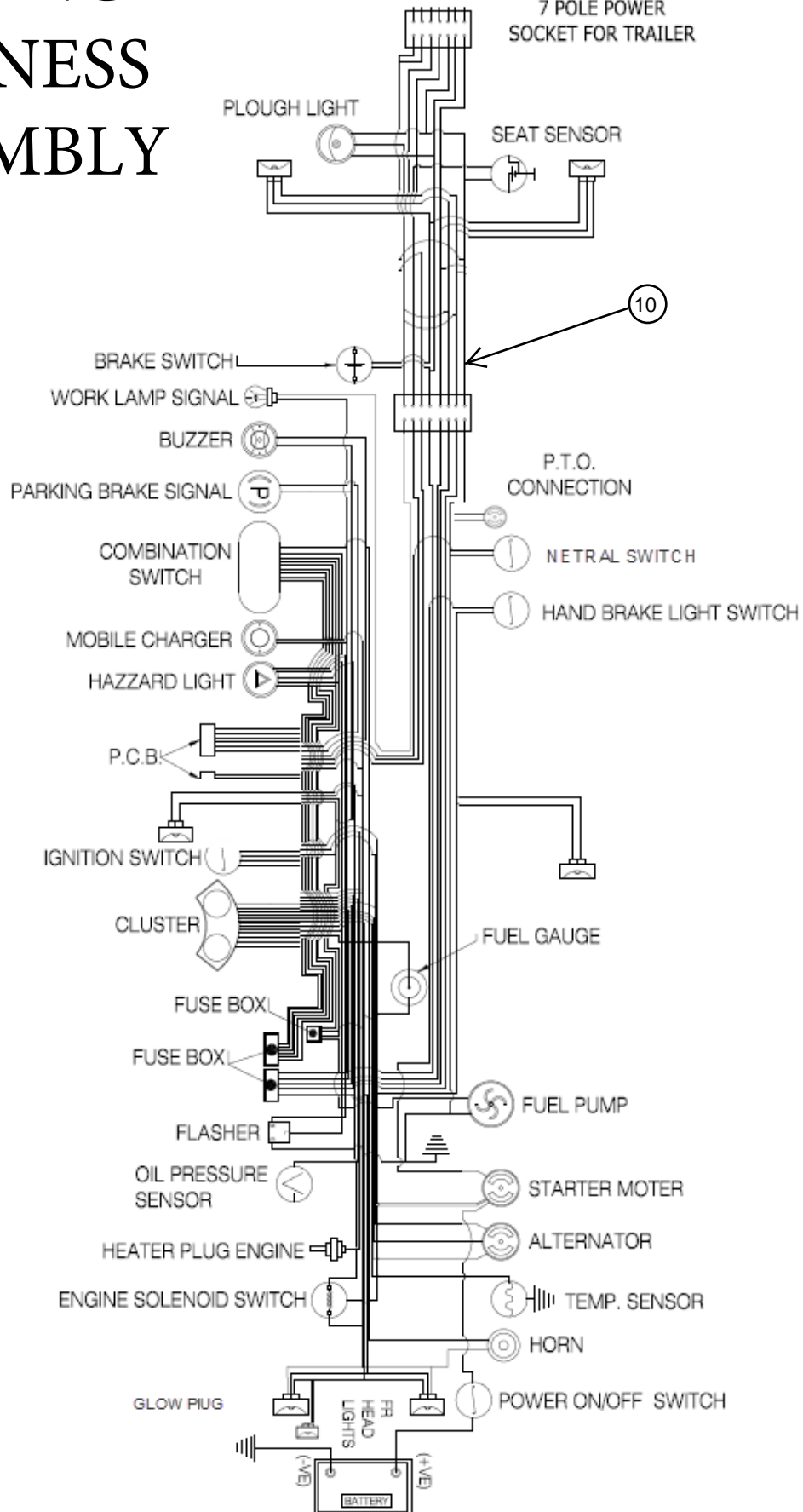
ASSY. NO.:-11305673

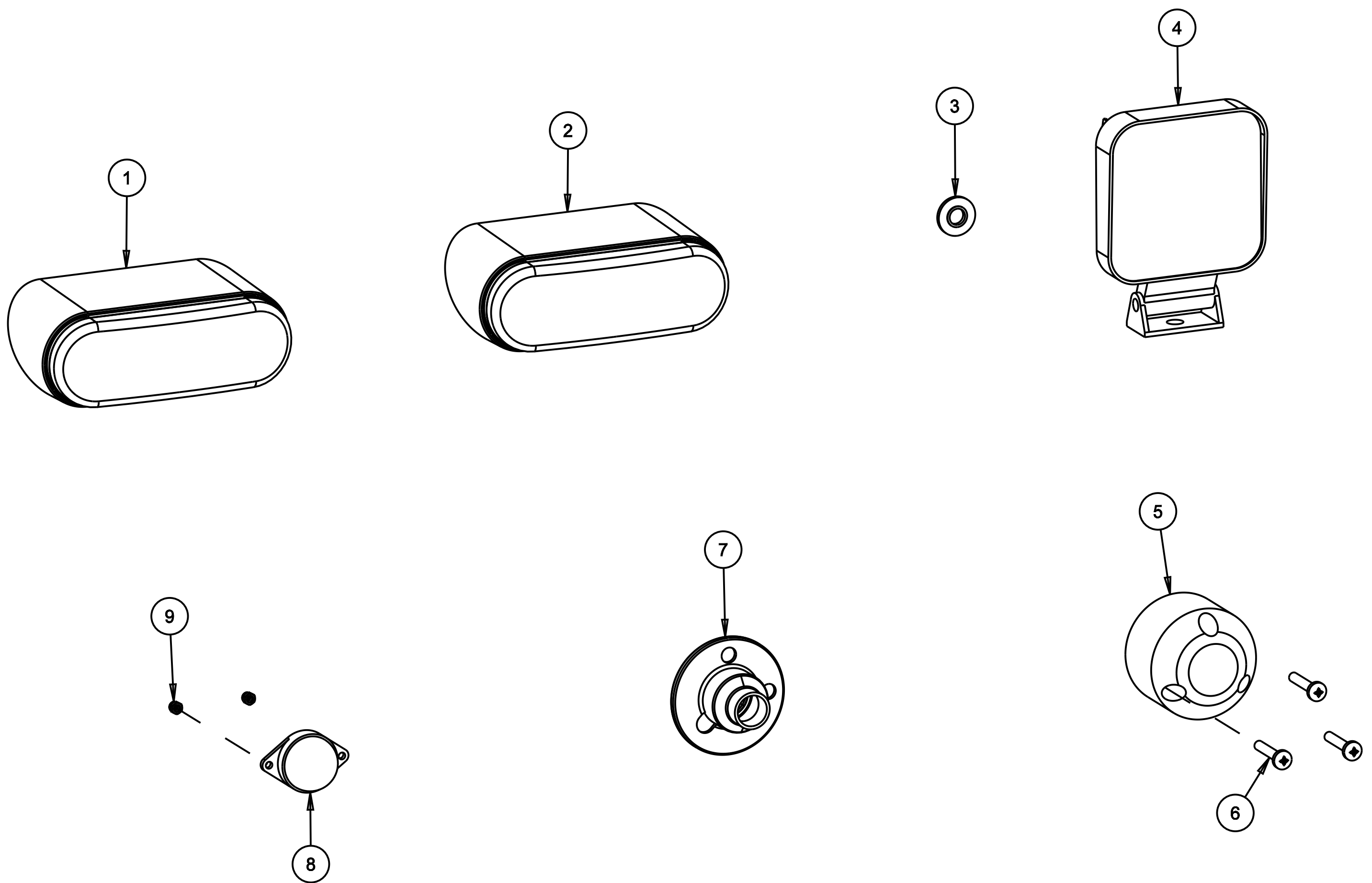
SR. NO.	PART NO.	DESCRIPTION	QTY.	REMARKS
1	11402490	INSTRUMENT CLUSTER (273)	1	
2	11502176	SCREW M6 X 35	4	
3	11405408	PANEL MOUNTED COMBINATION SWITCH ASSEMBLY	1	
4	11401990	STARTER SWITCH ASSEMBLY	1	
5	11201991	KEY (MOULDED) STARTER SWITCH	1	
6	11401988	HAZARD WARNING SWITCH ASSEMBLY	1	
7	11405080	FENDER LAMP ASSEMBLY - FRONT (LED)	2	
8	11404994	TIMER 10 SECOND	1	
9	11405372	BULB HB3 12V 60W	1	
10	11405541	WORK LAMP SWITCH	1	

WIRING HARNESS ASSEMBLY

MODEL - 263

7 POLE POWER SOCKET FOR TRAILER





ELECTRICAL COMPONENT 3

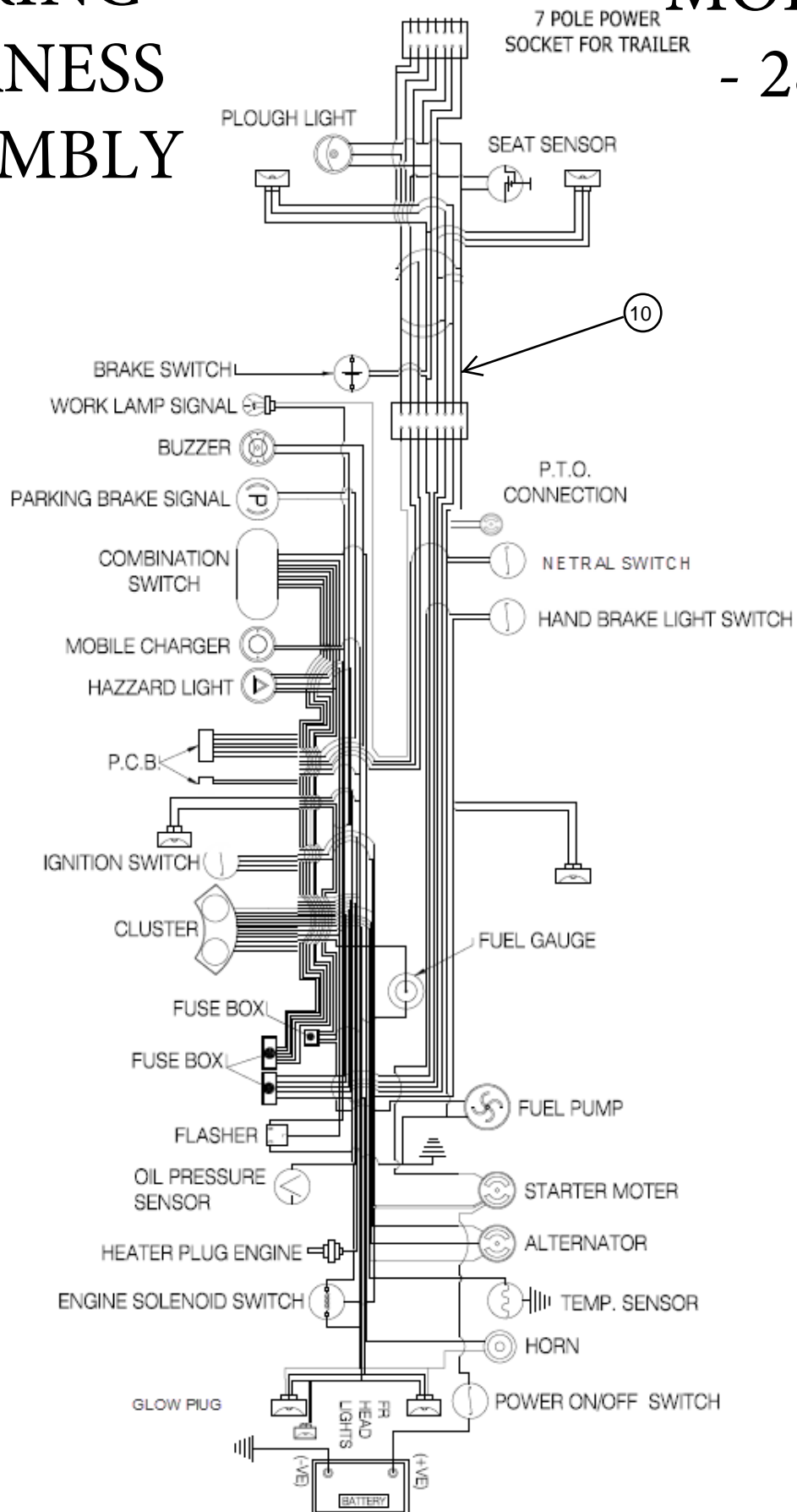
MODEL :- 263

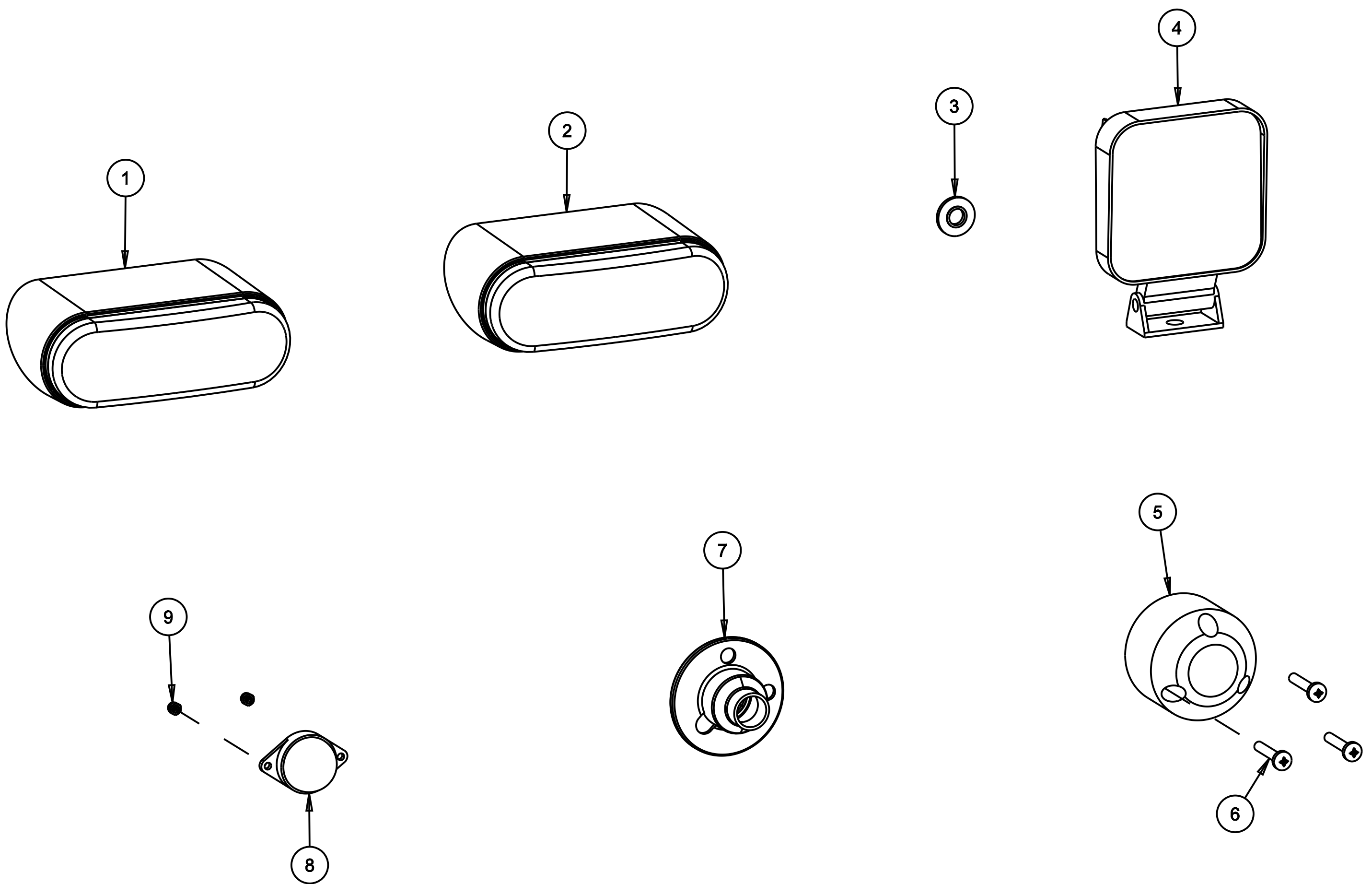
ASSY. NO.:-11305559

SR. NO.	PART NO.	DESCRIPTION	QTY.	REMARKS
1	11405081	FENDER LAMP ASSEMBLY-REAR LH (LED)	1	
2	11405082	FENDER LAMP ASSEMBLY-REAR RH (LED)	1	
3	11205509	SPECIAL WASHER PLOUGH LIGHT MOUNTING	1	
4	11405204	LED PLOUGH LAMP ASSY.(12V)	1	
5	11400541	SEVEN PIN SOCKET	1	
6	11502176	SCREW M6 X 35	3	
7	11404768	RUBBER COVER SEVEN PIN SOCKET	1	
8	11402085	LICENSE LAMP PLATE 12V-10W	1	
9	11505137	NYLOCK HEX. NUT M4	2	
10	11405270	WIRING HARNESS ASSEMBLY	1	

WIRING HARNESS ASSEMBLY

MODEL - 283





ELECTRICAL COMPONENT 3

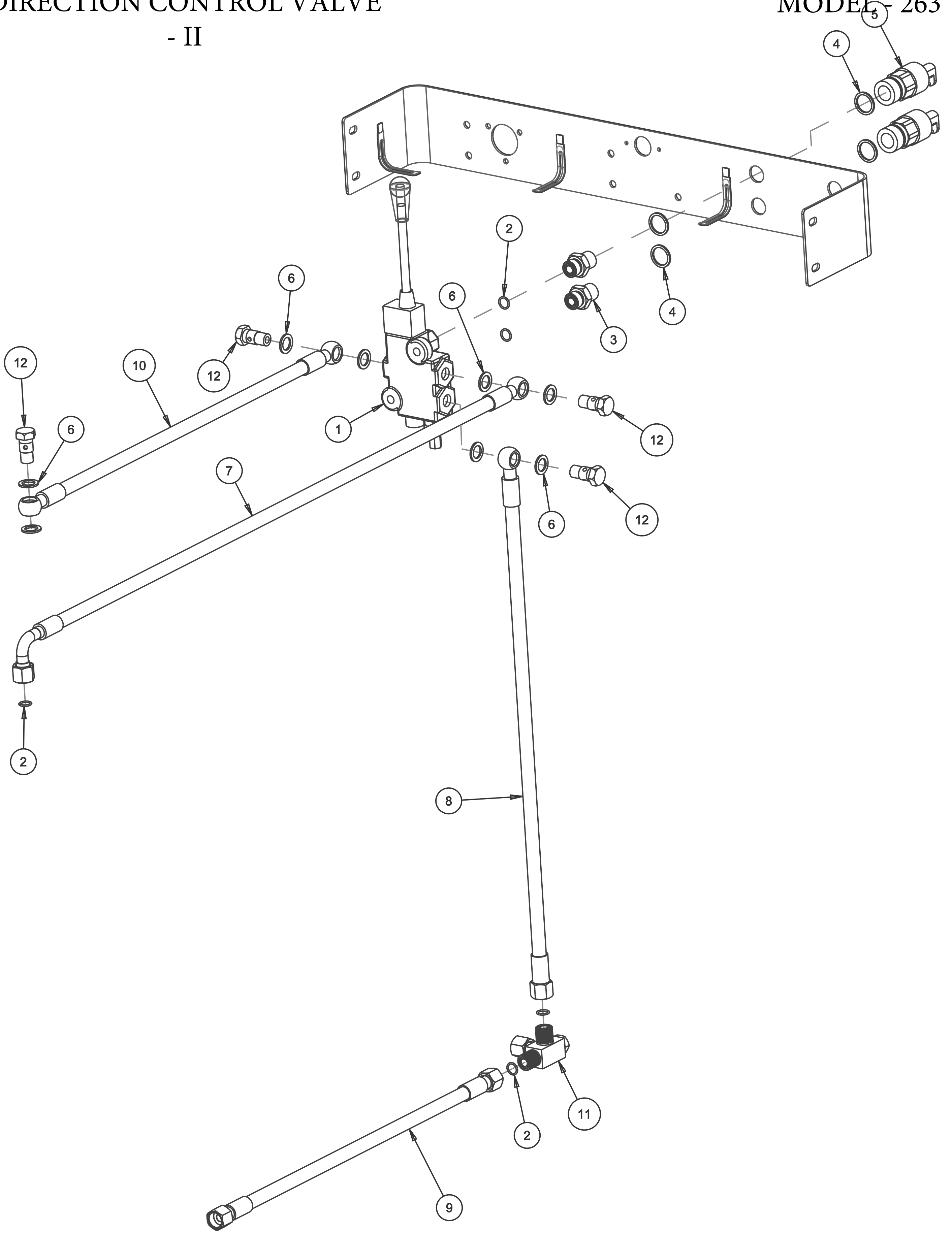
MODEL :- 283, 283 NT

ASSY. NO.:-11305674

SR. NO.	PART NO.	DESCRIPTION	QTY.	REMARKS
1	11405081	FENDER LAMP ASSEMBLY-REAR LH (LED)	1	
2	11405082	FENDER LAMP ASSEMBLY-REAR RH (LED)	1	
3	11205509	SPECIAL WASHER PLOUGH LIGHT MOUNTING	1	
4	11405204	LED PLOUGH LAMP ASSY.(12V)	1	
5	11400541	SEVEN PIN SOCKET	1	
6	11502176	SCREW M6 X 35	3	
7	11404768	RUBBER COVER SEVEN PIN SOCKET	1	
8	11402085	LICENSE LAMP PLATE 12V-10W	1	
9	11505137	NYLOCK HEX. NUT M4	2	
10	11404995	WIRING HARNESS ASSY (283) 8G	1	

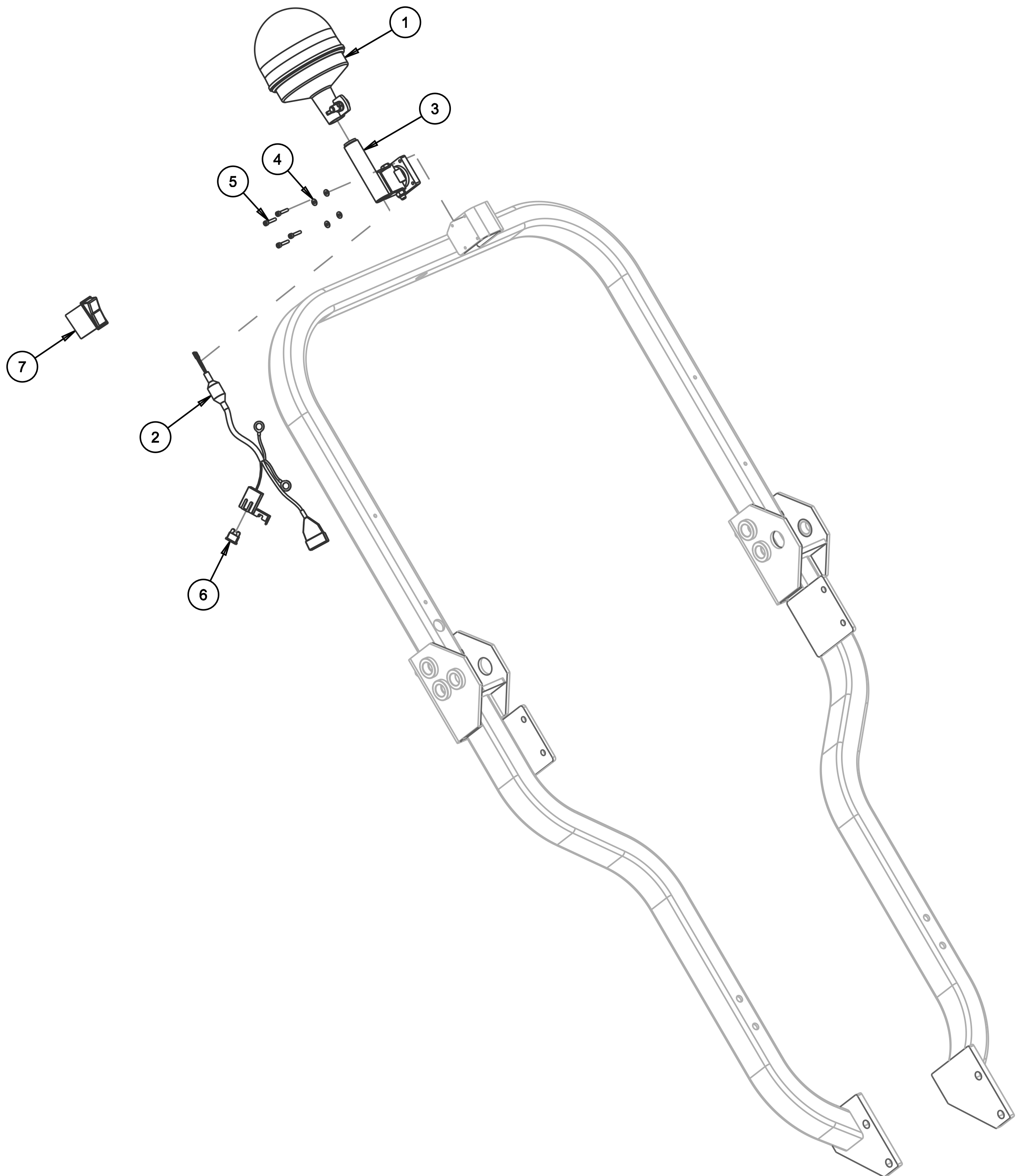
DIRECTION CONTROL VALVE
- II

MODEL 263



DIRCTION CONTROL VALVE -2
MODEL :- 263
ASSY. NO.:-11305638

SR. NO.	PART NO.	DESCRIPTION	QTY.	REMARKS
1	11205534	HYDRAULIC DISTRIBUTER VALVE SECONDARY (5K)	1	
2	11205329	O RING 12.42X1.78	5	
3	11205327	NIPPLE 1/2" BSP X 13/16" UN	2	
4	21504542	DOWTY SEAL 1/2	4	
5	11202334	FEMALE QRC	2	
6	11402783	DOWTY SEAL 3/8	8	
7	11205331	PIPE- DCV 2 TO LIFT	1	
8	11205726	PIPE-DCV-2 TO T-NIPPLE	1	
9	11205727	PIPE-PRIMARY PIPE STEERING TO T NIPPLE	1	
10	11205330	PIPE-DC1 TO DCV2	1	
11	11205641	T-NIPPLE	1	
12	11502336	BANJO BOLT 3/8	4	

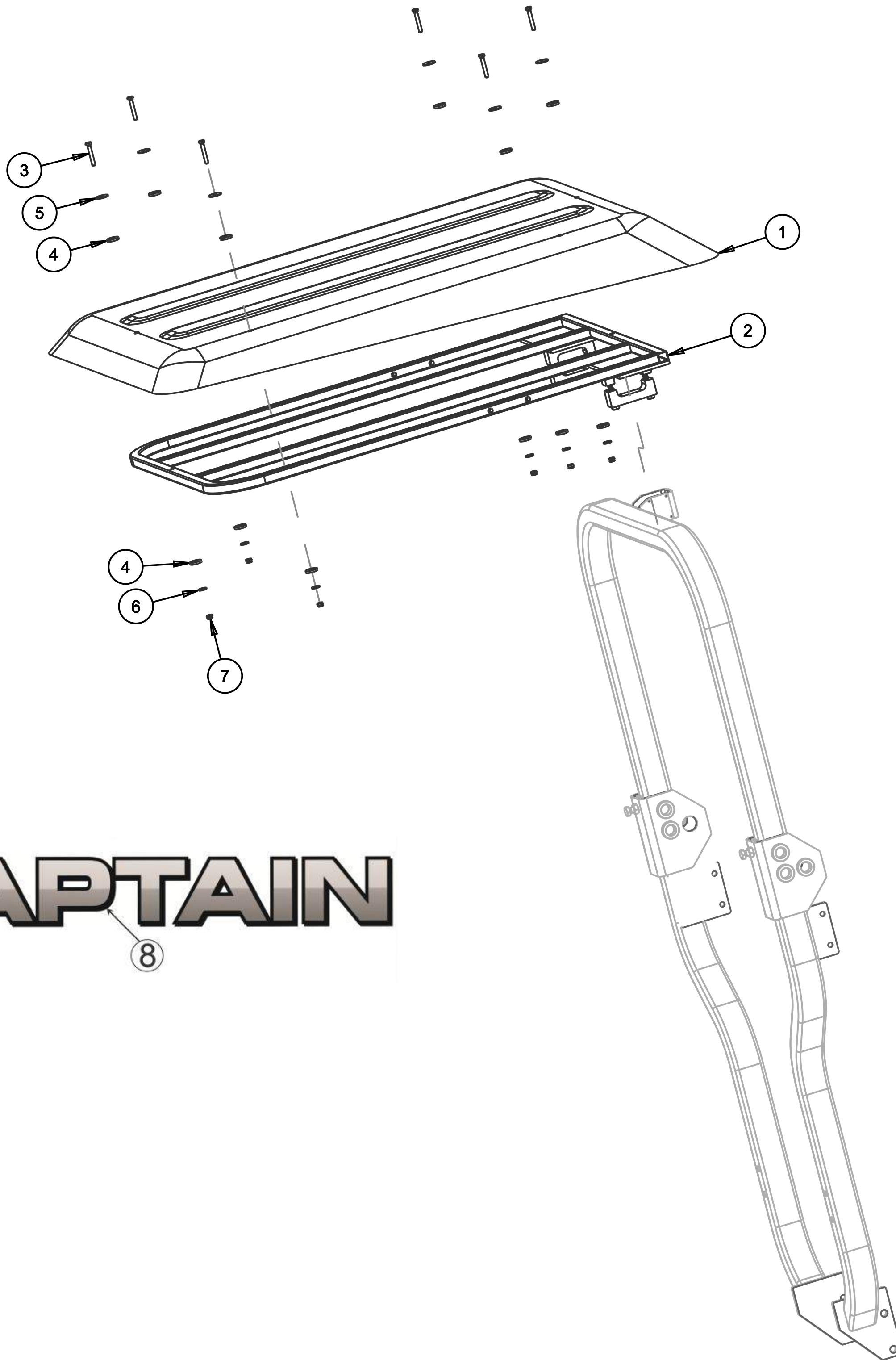


BEACON LAMP ASSEMBLY

MODEL :- 263

ASSY. NO.:-11305635

SR. NO.	PART NO.	DESCRIPTION	QTY.	REMARKS
1	11402084	BEACON LAMP ASSEMBLY	1	
2	11403164	WIRING HARNESS ASSEMBLY	1	
3	11403057	MOUNTING STAND ASSY. (BEACON LAMP)	1	
4	11503166	PLAIN WASHER Ø4 x Ø10 x 0.5	4	
5	11503159	ALLEN BOLT M4x20	4	
6	11405658	FUSE 10A	1	
7	11403161	SWITCH BEACON LAMP	1	



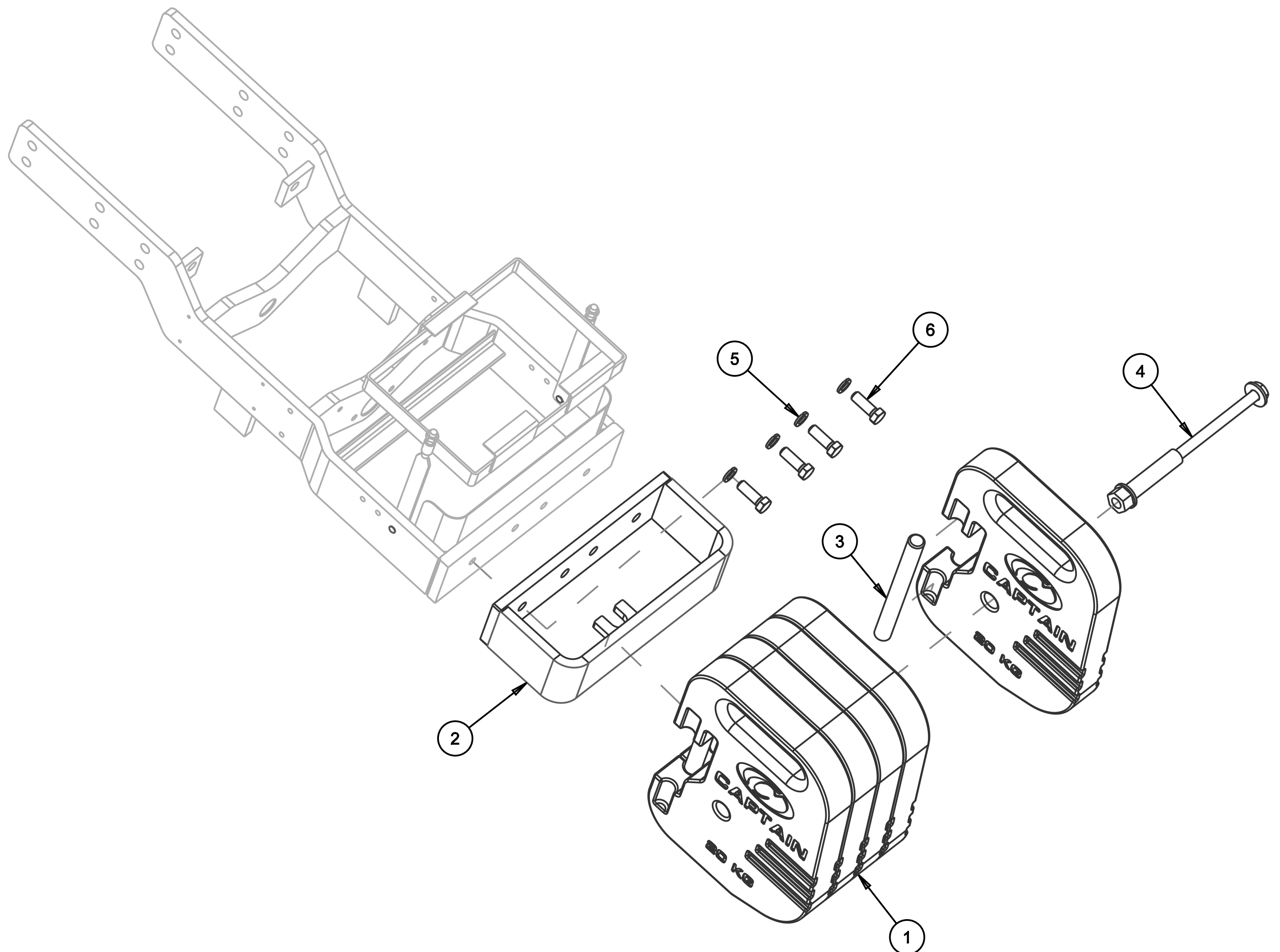
CAPTAIN
8

CANOPY FRAME ASSEMBLY

MODEL :- 263

ASSY. NO.:-11305637

SR. NO.	PART NO.	DESCRIPTION	QTY.	REMARKS
1	10901915	CANOPY	1	
2	11205601	FRAME CANOPY MOUNTING	1	
3	11501077	HEX. BOLT M6x40	6	
4	11201535	RUBBER WAHSER Ø9xØ22x3.5	12	
5	11500485	PLAIN WASHER Ø6.5 X Ø23 X 1.5	6	
6	11501015	PLAIN WASHER Ø6.5xØ15x1.5	6	
7	11500947	NYLOCK NUT M6	6	
8	11202093	DECALS, 2D CAPTAIN	2	

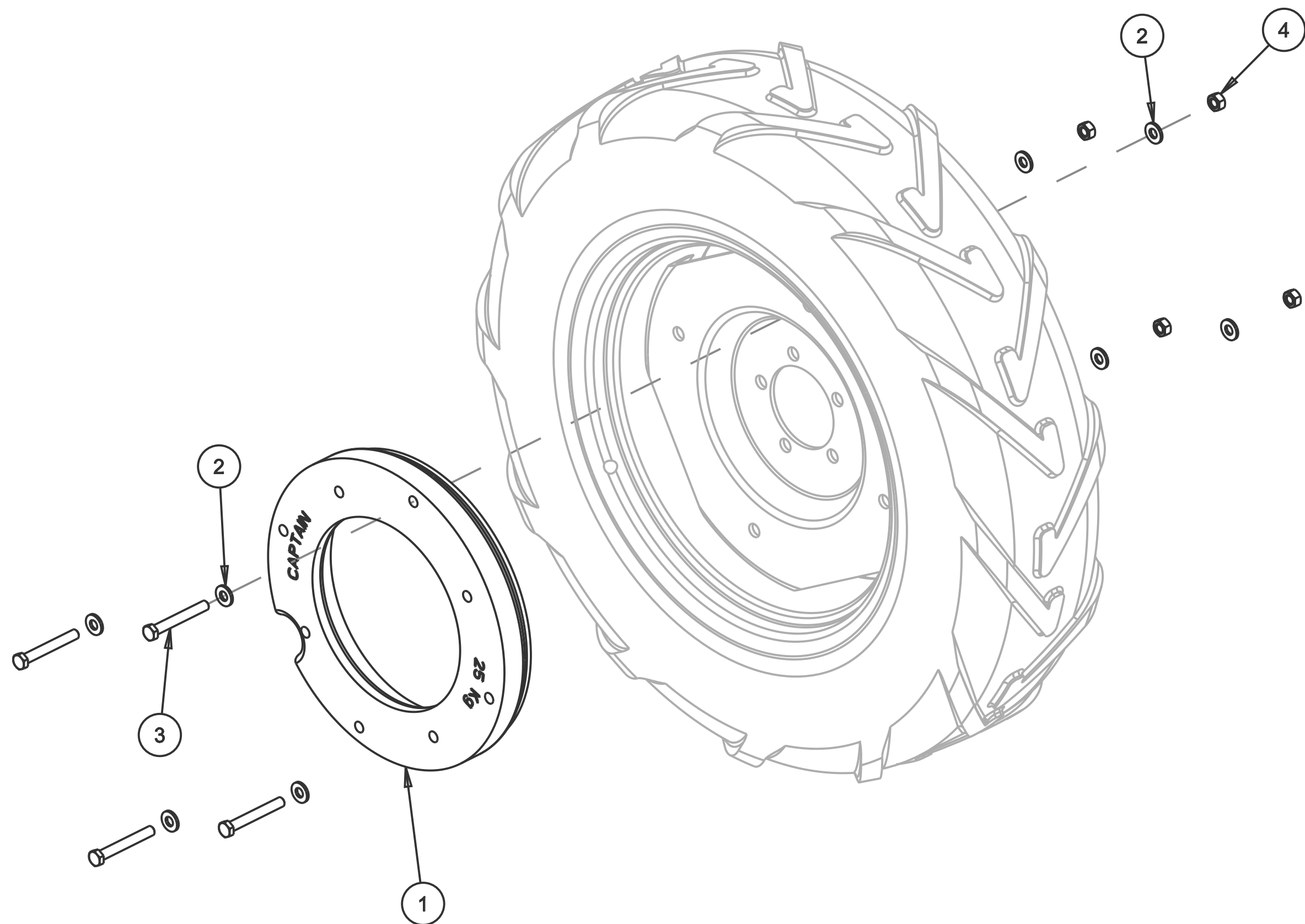


FRONT WEIGHT ASSEMBLY

MODEL :- 263

ASSY. NO.:-11305636

SR. NO.	PART NO.	DESCRIPTION	QTY.	REMARKS
1	10902167	FRONT WEIGHT (20KG)	5	
2	11203142	FRAME ,FRONT WEIGHT (273)	1	
3	10902168	ROD LOCKING (FRONT WEIGHT)	4	
4	11202169	ADJUSTABLE LOCKING BOLT	1	
5	11500118	SPRING WASHER 12 mm	4	
6	11500768	HEX. BOLT M12X35 (F.T.)	4	

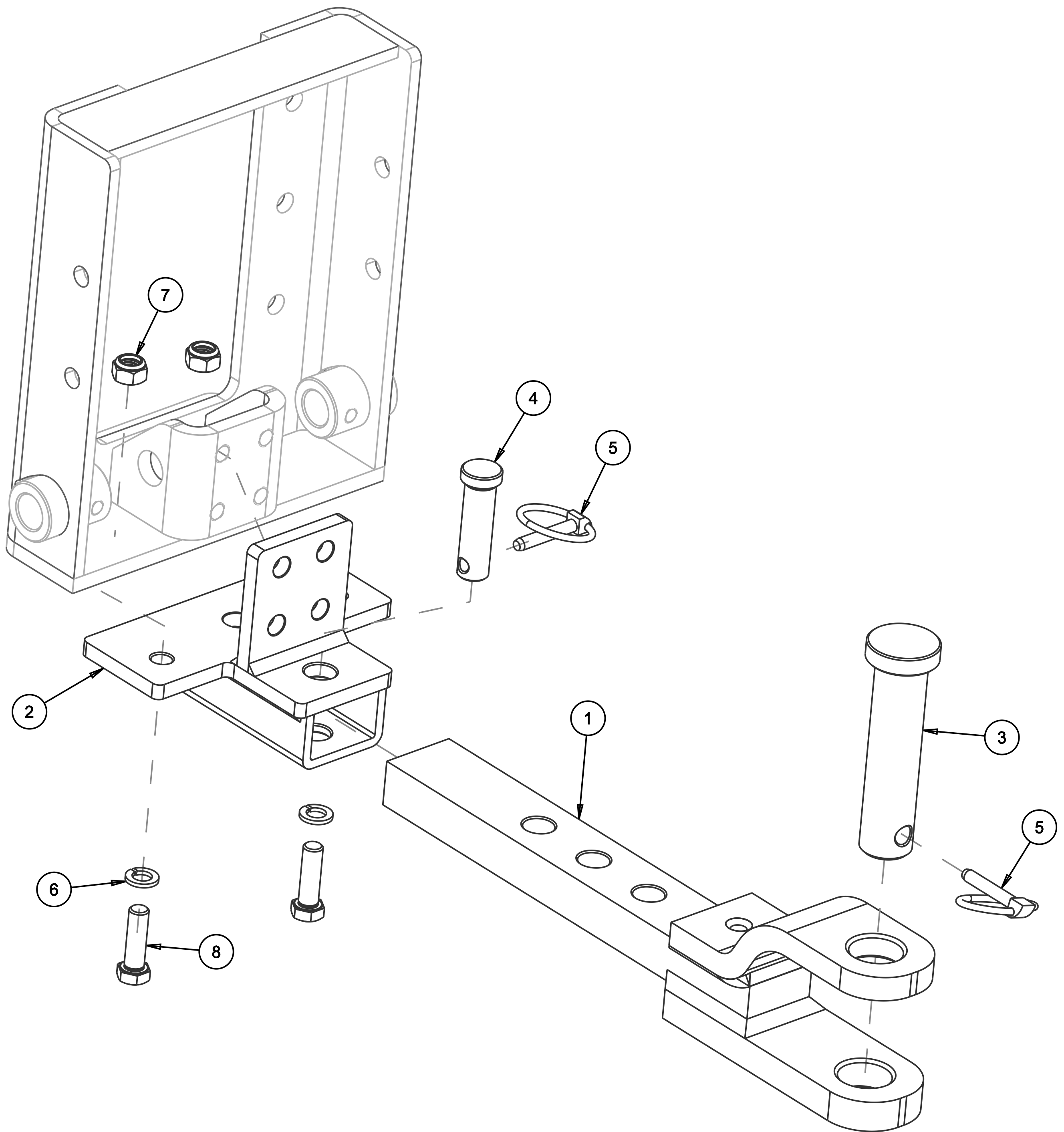


REAR WHEEL WIEGHT ASSEMBLY

MODEL :- 263, 283, 283 NT

ASSY. NO.:- 11305746

SR. NO.	PART NO.	DESCRIPTION	QTY.	REMARKS
1	10900698	WHEEL WEIGHT REAR	2	
2	11500080	PLAIN WASHER Ø12.5xØ26x3	16	
3	11500404	BOLT M12X90	8	
4	11500117	HEX NUT M12	8	



TOW HOOK ASSEMBLY

MODEL :- 263, 283, 283 NT

ASSY. NO.:-11305747

SR. NO.	PART NO.	DESCRIPTION	QTY.	REMARKS
1	11205624	TOW HOOK	1	
2	11205625	BRACKET TOW HOOK	1	
3	11205626	PIN TOW HOOK	1	
4	11205627	HITCH PIN TOW HOOK	1	
5	11200590	LINCH PIN	2	
6	115000118	SPRING WASHER 12mm	2	
7	11501024	NYLOCK HEX. NUT M12	2	
8	11500307	HEX BOLT M12x40 (H.T.)	2	



CAPTAIN

COMPACT TRACTORS

CAPTAIN TRACTORS PVT. LTD.

Padavala Road, Veraval (Shapar), Taluka : Kotda Sangani, Dist : Rajkot - 360024 (Gujarat) India.

Phone/fax : +91 2827-252547, 253916-17, 9726270707, 9099433133

Email : info@captaintractors.com, Web : www.captaintractors.com