



CAPTAIN

Pioneer of The Mini Tractor

PARTS CATALOGUE

CAPTAIN 223 EU

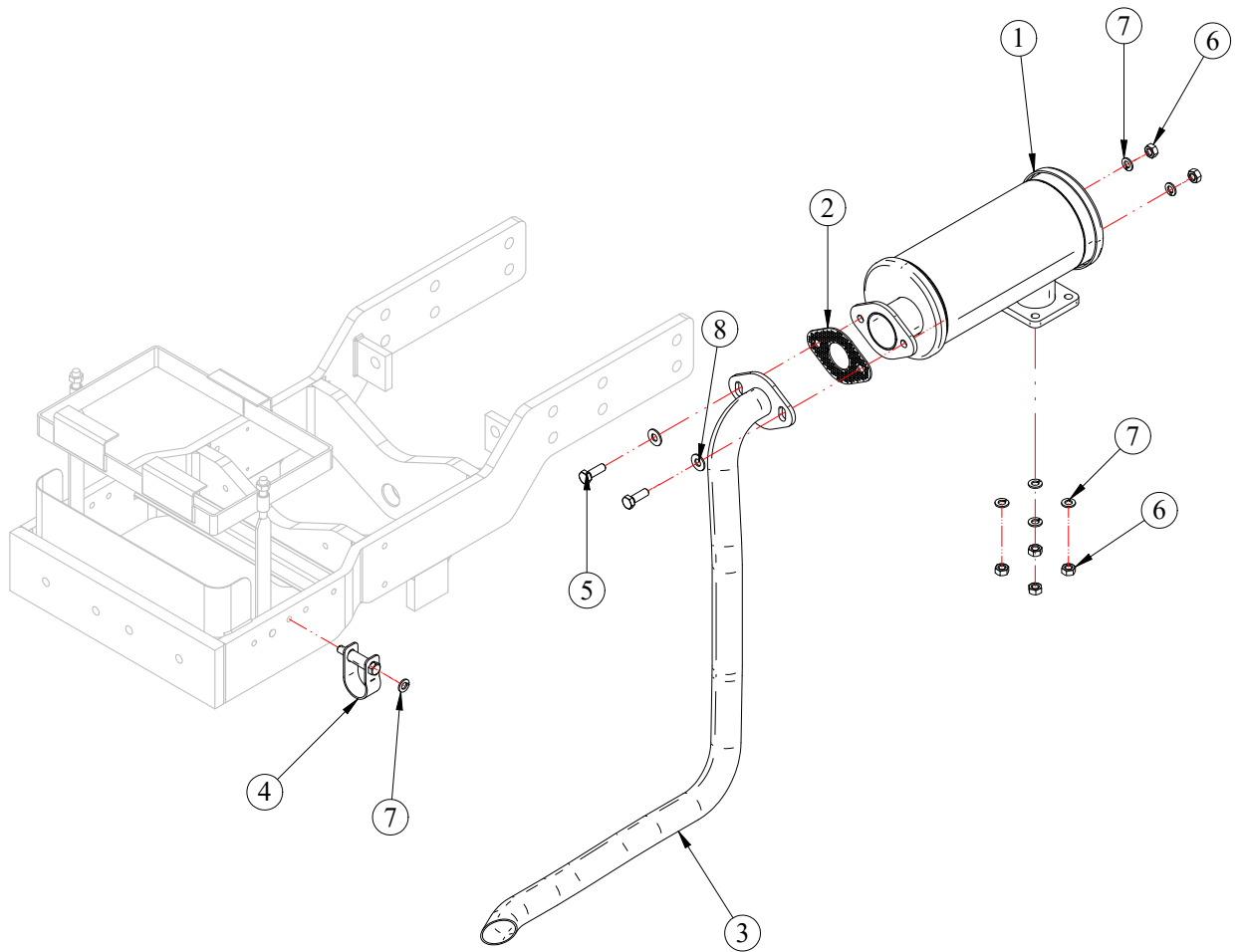
CONTENTS

SR. NO.	DESCRIPTION	PAGE NO.
01	MUFFLER ASSEMBLY.....	07
02	RADIATOR COOLANT ASSEMBLY.....	08
03	AIR CLEANER ASSEMBLY.....	09
04	DRY AIR CLEANER ASSEMBLY.....	10
05	ENGINE AND CLUTCH ASSEMBLY.....	11
06	PROPELLER SHAFT ASSEMBLY.....	12
07	CLUTCH HOUSING ASSEMBLY.....	13
08	4WD LINKAGE ASSEMBLY.....	14
09	CLUTCH RELEASE MECHANISM ASSEMBLY.....	15
10	TCA ASSEMBLY.....	16
11	TRANSMISSION HOUSING ASSEMBLY.....	18
12	DIFFERENTIAL CAGE ASSEMBLY.....	19
13	PINION SHAFT ASSEMBLY.....	21
14	MAIN SHAFT ASSEMBLY.....	22
15	PTO SHAFT ASSEMBLY.....	23
16	REVERSE GEAR ASSEMBLY.....	24
17	INPUT SHAFT & 4WD SHAFT ASSEMBLY.....	25
18	FINAL DRIVE LH.....	26
19	FINAL DRIVE RH.....	28
20	WET BRAKE ASSEMBLY.....	30
21	HYDRAULIC BODY ASSEMBLY.....	31
22	TRAILOR PIPE ASSEMBLY.....	38
23	DIRECTION CONTROL VALVE ASSEMBLY.....	39
24	HYDRAULIC PUMP & PIPE ASSEMBLY 1.....	40
25	HYDRAULIC PUMP & PIPE ASSEMBLY 2.....	41
26	PC-DC LEVER.....	43
27	FENDER & FOOTREST ASSEMBLY.....	45
28	HML PTO LEVER ASSEMBLY.....	47
29	PARKING BRAKE ASSEMBLY.....	49
30	FENDER BRACKET AND SEAT ASSEMBLY.....	50
31	ROPS ASSEMBLY.....	51
32	BONNET & FRONT MESH ASSEMBLY 1.....	53
33	BONNET & FRONT MESH ASSEMBLY 2.....	55

34	FUEL TANK ASSEMBLY.....	56
35	DASH BOARD ASSEMBLY.....	57
36	FUEL PUMP PIPE 1.....	58
37	FUEL PUMP PIPE 2.....	59
38	HEAT GUARD SEALING ASSEMBLY.....	60
39	POWER STEERING ASSEMBLY.....	61
40	STEERING CYLINDER ASSEMBLY.....	63
41	BRAKE & CLUTCH PEDAL ASSEMBLY.....	64
42	CHASIS FRAME ASSEMBLY.....	66
43	FRONT DIFFERENTIAL CAGE ASSEMBLY.....	67
44	FRONT DIFFERENTIAL PINION SHAFT ASSEMBLY.....	68
45	FLANGE DIFFERENTIAL HOUSING ASSEMBLY LH.....	69
46	FLANGE DIFFERENTIAL HOUSING ASSEMBLY RH.....	70
47	VERTICAL SHAFT HOUSING ASSEMBLY LH.....	71
48	VERTICAL SHAFT HOUSING ASSEMBLY RH.....	73
49	TIE ROD ASSEMBLY.....	75
50	THREE POINT LINKAGE.....	76
51	HAND ACCELERATOR.....	77
52	FOOT ACCELERATOR.....	79
53	DECALS & STICKERS.....	80
54	FRONT & REAR WHEEL ASSEMBLY.....	86
55	FRONT & REAR WHEEL ASSEMBLY (AGRI-WIDE).....	87
56	FRONT & REAR WHEEL ASSEMBLY (TURF).....	88
57	FRONT & REAR WHEEL ASSEMBLY (FLOTATION).....	89
58	FRONT & REAR WHEEL ASSEMBLY (GARDEN GALAXY PRO).....	90
59	FRONT & REAR WHEEL ASSEMBLY (WIDER F-AGRI).....	91
60	ELECTRICAL COMPONENT 1.....	92
61	ELECTRICAL COMPONENT 2.....	93
62	ELECTRICAL COMPONENT 3.....	94
63	DIRECTION CONTROL VALVE 2.....	96
64	BEACON LAMP ASSEMBLY.....	97
65	CANOPY FRAME ASSEMBLY.....	98
66	FRONT WEIGHT ASSEMBLY.....	99
67	REAR WHEEL WEIGHT ASSEMBLY.....	100
68	TOW HOOK ASSEMBLY.....	101

ABBREVIATIONS

AR	AS REQUIRED
ASSY	ASSEMBLY
FT	FULL THREAD
HT	HALF THREAD
FIP	FUEL INJECTION PUMP
HYD	HYDRAULIC
L	LENGTH
LH	LEFT HAND SIDE
RH	RIGHT HAND SIDE
PTO	POWER TAKE OFF
DCV	DIRECTION CONTROL VALVE
PS	POWER STEERING
RM	RAW MATERIAL
RPM	REVOLUTION PER MINUTES
T	TEETH
4WD	FOUR WHEEL DRIVE
HML	HIGH MEDIUM LOW
PC-DC	POSITION CONTRL – DRAFT CONTROL
ROPS	ROLL OVER PROTECTIVE STRUCTURE
TCA	TRANSMISSION CONTROL ASSEMBLY
LED	LIGHT EMITING DIOD
ETS	ENERGIZED TO STOP
Lt.	LITRE
QRC	QUICK RELEASE COUPLING
N/A	NOT APPLICABLE

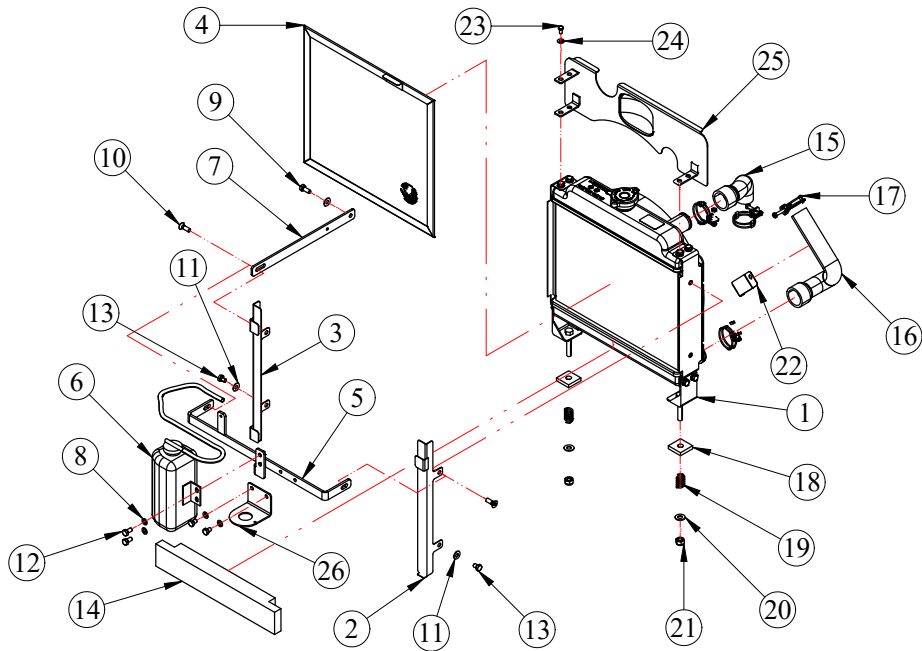


MUFFLER ASSEMBLY

MODEL :- 223,223 NT,223 EU

ASSEMBLY NO. :- 11307631

SR. NO.	PART NO.	DESCRIPTION	QTY.	REMARKS
1	11205685	SILENCER	1	
2	11203024	GASKET,EXTENSION PIPE	1	
3	11205686	EXTENTION PIPE - SILENCER	1	
4	11205953	CLAMP - SILENCER EXTENSION PIPE	1	
5	11500051	HEX. BOLT M8 X 25 (F.T.)	2	
6	11500082	HEX NUT M8	6	
7	11500052	SPRING WASHER - 8mm	7	
8	11501068	PLAIN WASHER Ø8.5XØ19X1.5	2	

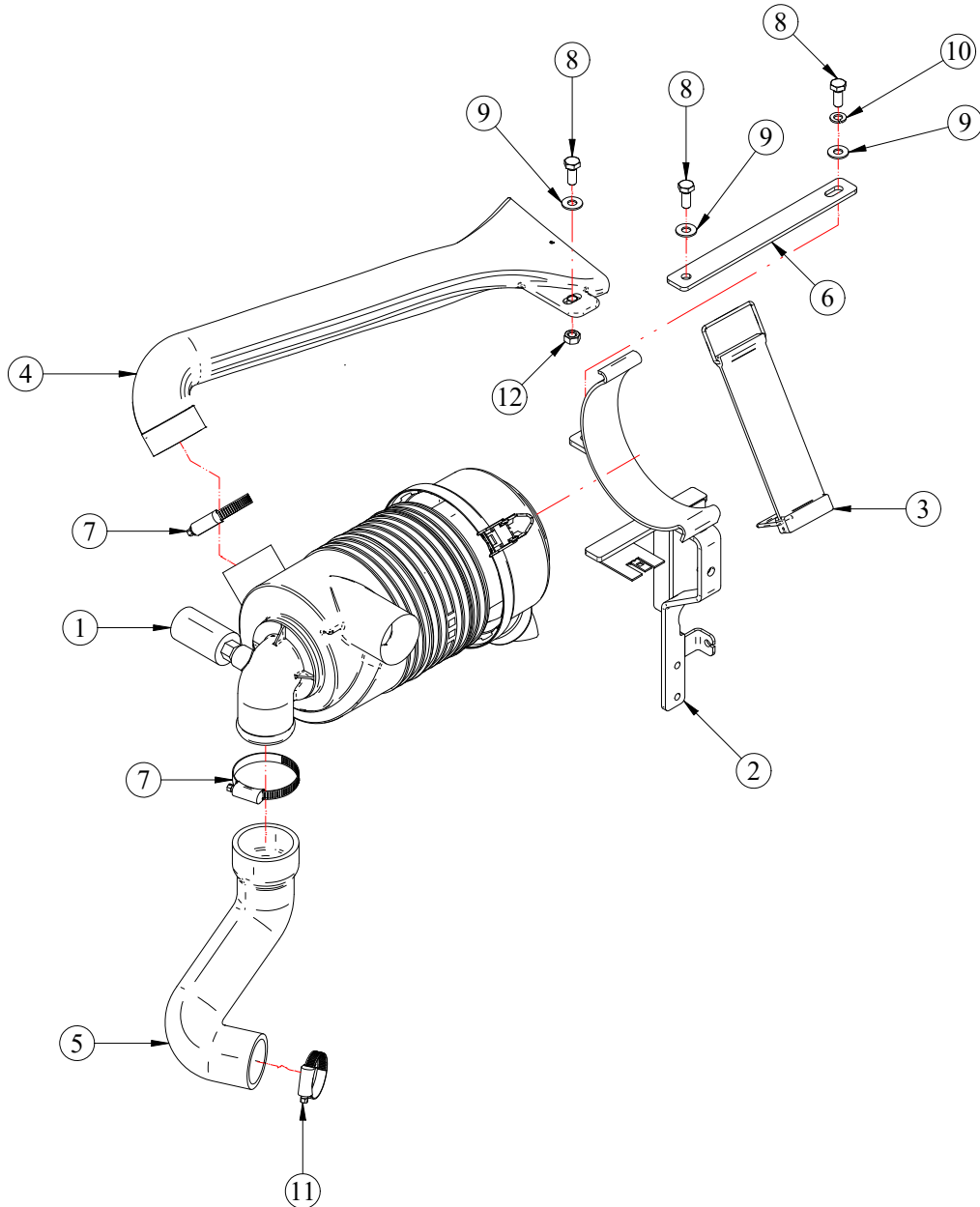


RADIATOR COOLANT ASSY

MODEL :- 223 EU

ASSEMBLY NO. :- 11307682

SR. NO.	PART NO.	DESCRIPTION	QTY.	REMARKS
1	11405147	RADIATOR ASSY	1	
2	11205115	GUARD SUPPORT LH	1	
3	11205114	GUARD SUPPORT RH	1	
4	11205122	THREADED GUARD (S.M.-2L)	1	
5	11205339	BRACKET, COOLANT RECOVERY TANK	1	
6	11402046	COOLANT RECOVERY TANK ASSEMBLY	1	
7	11205693	SUPPORT - RADIATOR	1	
8	11500052	SPRING WASHER - 8mm	4	
9	11500067	HEX. BOLT M8X20 (F.T)	1	
10	11500766	CSK HEAD SCREW WITH HEX. SOCKET M8x25	2	
11	11501068	PLAIN WASHER Ø8.5XØ19X1.5	3	
12	11500076	HEX BOLT M8 x 16	2	
13	11500489	HEX BOLT M8 X 12 (F.T.)	4	
14	11205113	FOAM FRONT SEALING	1	
15	11205691	OUTLET HOSE PIPE - CYLINDER HEAD TO RADIATOR	1	
16	11205690	INLET HOSE PIPE - RADIATOR TO WATER PUMP	1	
17	11206995	Wire Clamp Ø41-Ø48	4	
18	11201643	DAMPER, RADIATOR	2	
19	11201642	SPRING, RADIATOR	2	
20	11500078	PLAIN WASHER Ø10.5xØ22x1.5	2	
21	11500676	NYLOCK NUT M10	2	
22	11205692	CLAMP -INLET HOSE PIPE RADIATOR TO WATER PUMP	1	
23	11500484	HEX. BOLT M6 X 12 (F.T.)	1	
24	11501015	PLAIN WASHER Ø6.5xØ15x1.5	1	
25	11205703	SEALING PLATE RADIATOR	1	
26	11205340	BRACKET BATTERY CUT-OFF	1	

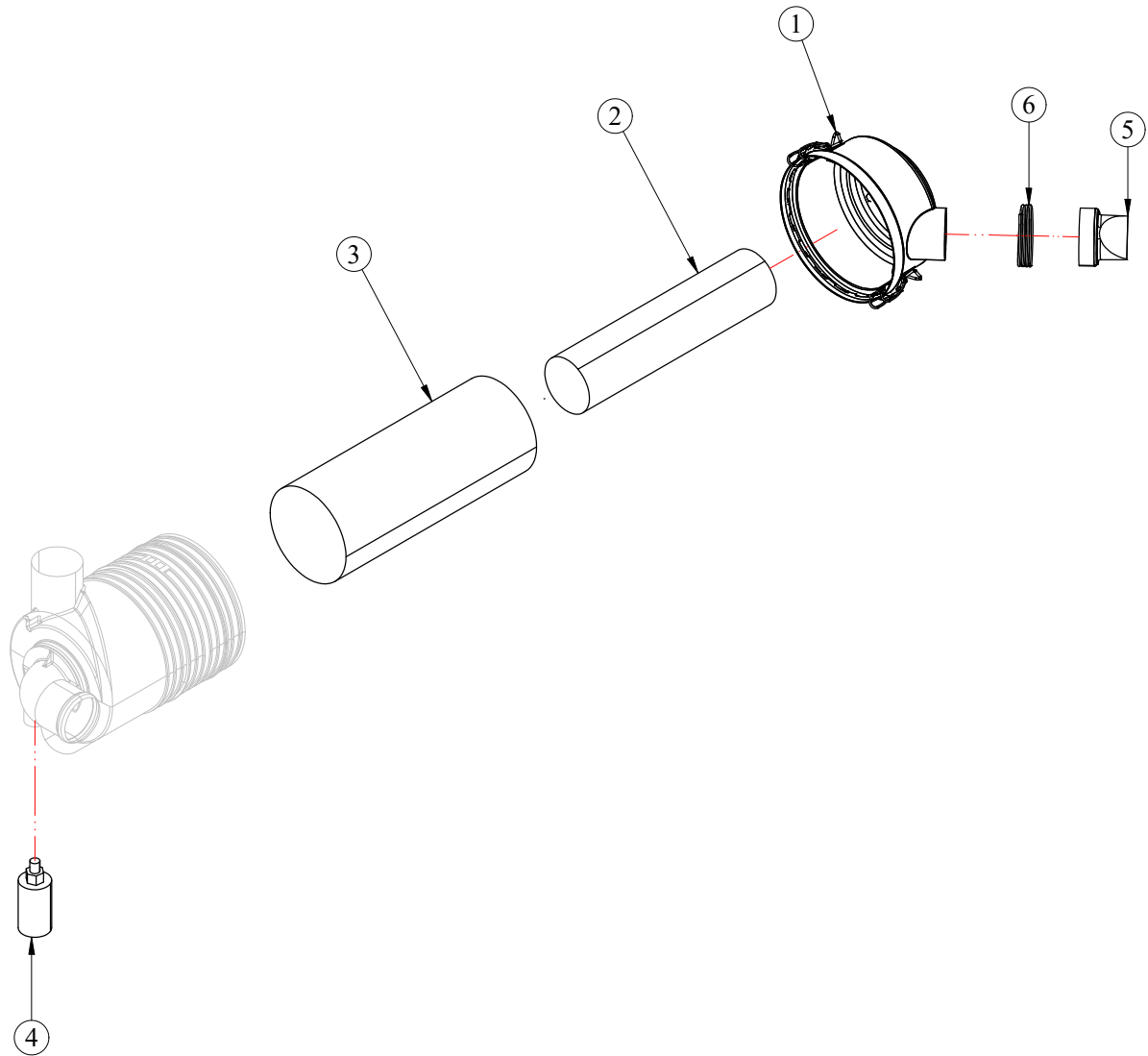


AIR CLEANER ASSEMBLY

MODEL :- 223,223 NT,223 EU

ASSEMBLY NO. :- 11307630

SR. NO.	PART NO.	DESCRIPTION	QTY.	REMARKS
1	11403022	DRY AIR CLEANER ASSY. (273)	1	
2	11205688	BRACKET - AIR CLEANER	1	
3	11205524	AIR CLEANER STRAP	1	
4	11205363	DUCT AIR CLEANER INLET	1	
5	11205687	HOSE PIPE - AIR INTAKE	1	
6	11205689	SUPPORT - AIR CLEANER	1	
7	11200022	CLAMP FOR AIR CLEANER	2	
8	11500067	HEX. BOLT M8X20 (F.T)	3	
9	11501068	PLAIN WASHER Ø8.5XØ19X1.5	3	
10	11500052	SPRING WASHER - 8mm	1	
11	11201787	CLAMP, HOSE PIPE (2A-50)	1	
12	11500082	HEX NUT M8	1	

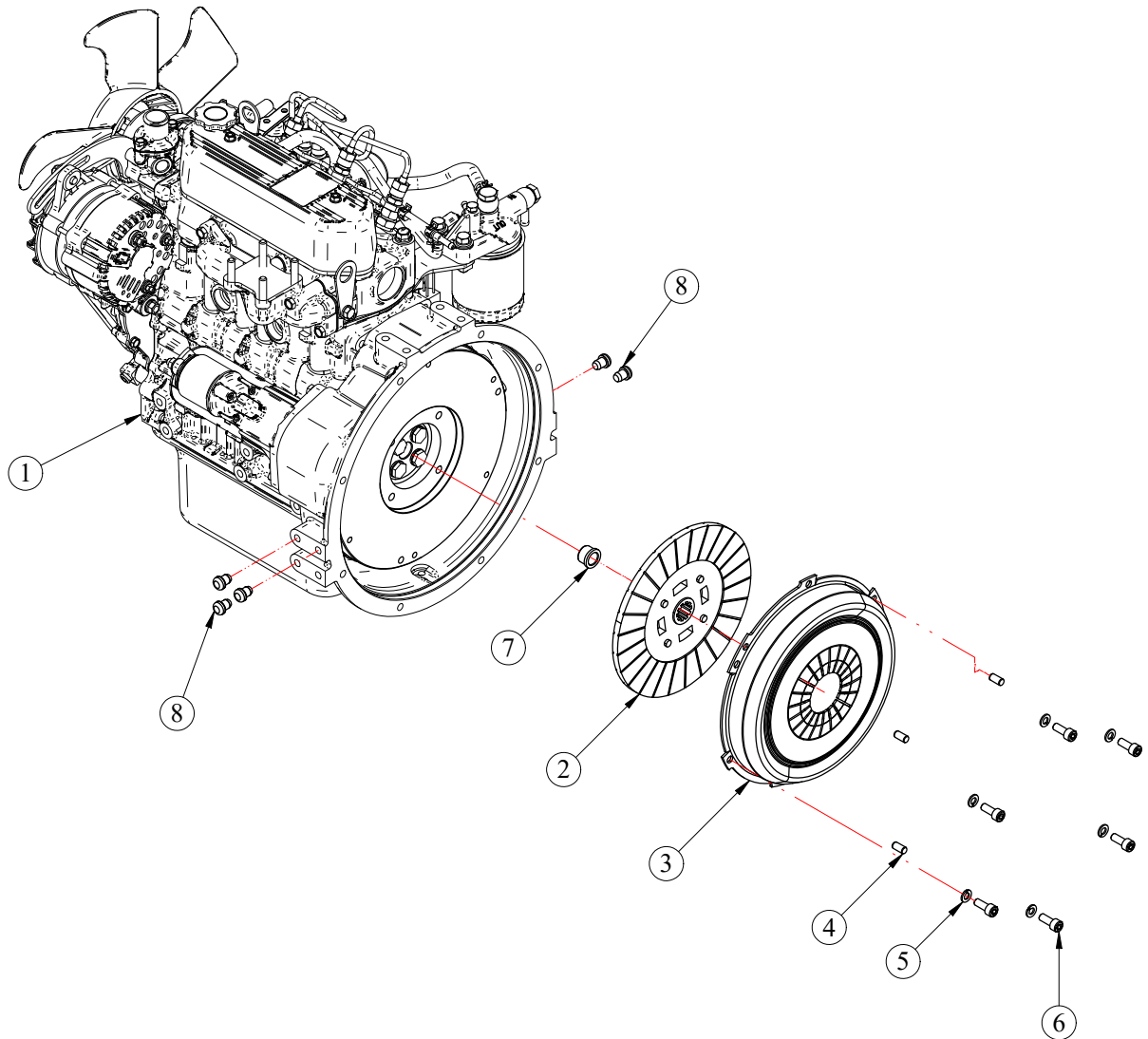


DRY AIR CLEANER ASSEMBLY

MODEL :- 223,223 NT,223 EU

ASSEMBLY NO. :- 11305556

SR. NO.	PART NO.	DESCRIPTION	QTY.	REMARKS
1	11404954	COVER ASSEMBLY	1	
2	11403300	FILTER, ASSEMBLY SECONDARY	1	
3	11403023	PRIMARY AIR ELEMENT (273)	1	
4	11404932	MECHANICAL INDICATOR	1	
5	11404931	VACUATOR VALVE	1	
6	11405407	DUST VALVE CLAMP- AIR CLEANER	1	

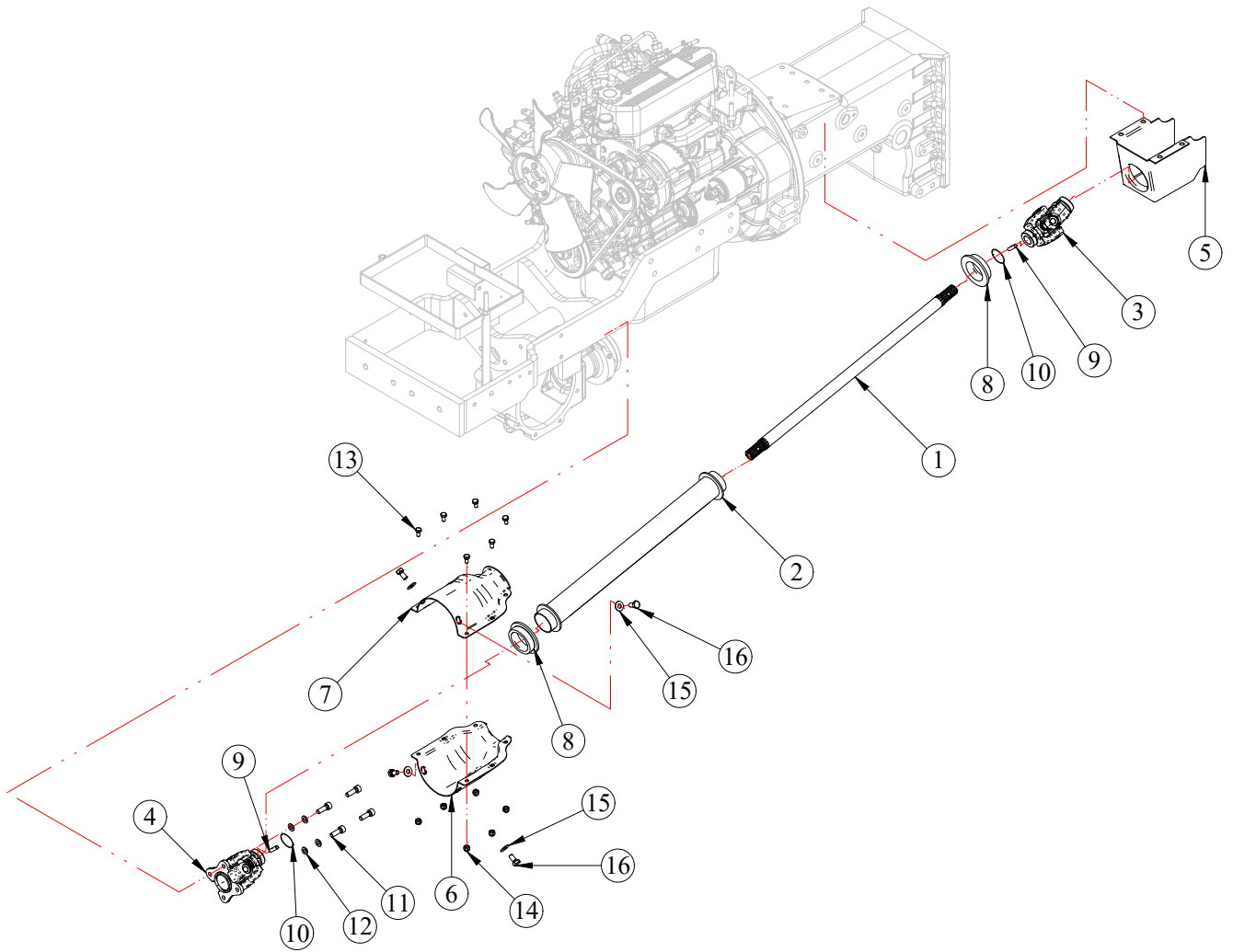


ENGINE AND CLUTCH ASSEMBLY

MODEL :- 223 EU

ASSEMBLY NO. :- 11307639

SR. NO.	PART NO.	DESCRIPTION	QTY.	REMARKS
1	31404694	ENGINE, MVL3E -15.8/3000-3 cyl (STAGE IIIA)	1	
2	11400626	CLUTCH PLATE Ø215	1	
3	11400625	PRESSURE PLATE Ø215	1	
4	11200119	PIN, DOWEL Ø8 X 16	3	
5	11500052	SPRING WASHER - 8mm	6	
6	11500599	ALLEN BOLT M8x20 (F.T)	6	
7	11205498	PILOT BUSH FOR FLY WHEEL	1	
8	11204746	RUBBER GROMMET Ø10.5 FOR FRONT AXLE	5	

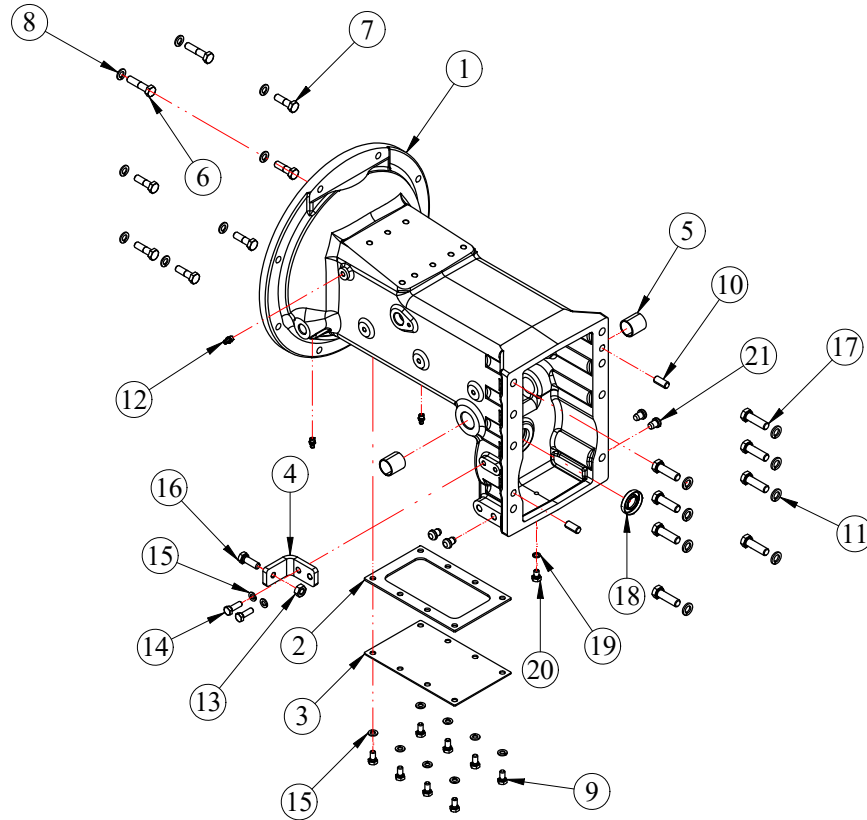


PROPELLER SHAFT ASSEMBLY

MODEL :- 223,223 NT,223 EU

ASSEMBLY NO. :- 11305588

SR. NO.	PART NO.	DESCRIPTION	QTY.	REMARKS
1	11204952	SHAFT,PROPLLER (576) (MIT.)	1	
2	11203220	SHAFT COVER, PROPELLER GUARD	1	
3	11404893	UNIVERSAL JOINT ASSY.(YOKE WITH YOKE)	1	
4	11404894	UNIVERSAL JOINT ASSY.(CROSS HOLDER WITH YOKE)	1	
5	11205016	UNIVERSAL JOINT COVER REAR	1	
6	11203222	UNIVERSAL JOINT COVER FRONT BOTTOM	1	
7	11203221	UNIVERSAL JOINT COVER FRONT TOP	1	
8	11204916	RUBBER BUSH SMALL GUARD	2	
9	11504969	DOWEL PIN UNIVERSAL JOINT	2	
10	11504970	SNAP RING FOR SHAFT DIA 32	2	
11	11500157	Allen Bolt M8x25 (F.T.)	4	
12	11500052	SPRING WASHER - 8mm	4	
13	11500484	HEX. BOLT M6 X 12 (F.T.)	6	
14	11500947	NYLOCK NUT M6	6	
15	11501068	PLAIN WASHER Ø8.5XØ19X1.5	4	
16	11500076	HEX BOLT M8 x 16	4	

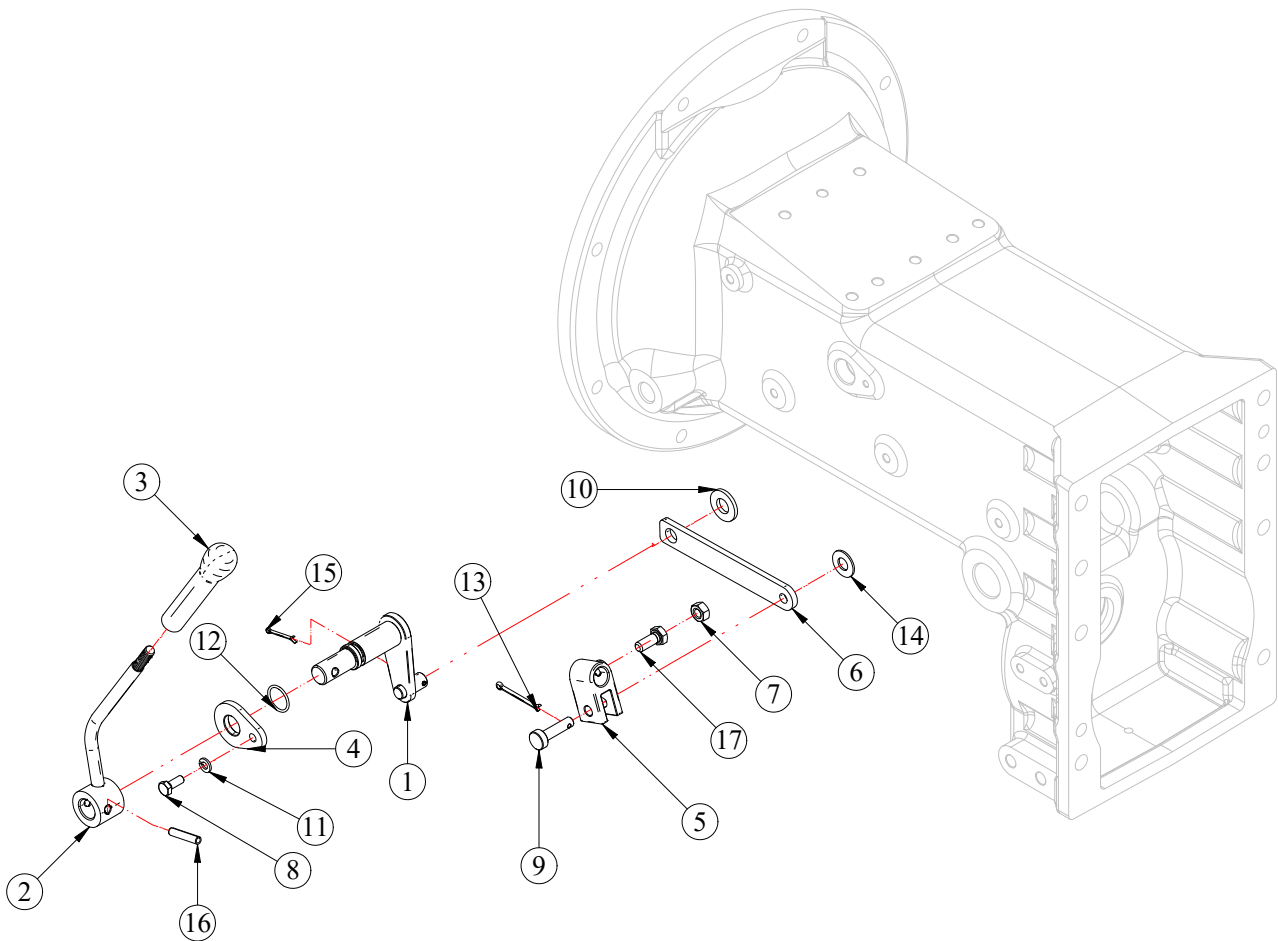


CLUTCH HOUSING ASSEMBLY

MODEL :- 223,223 NT,223 EU

ASSEMBLY NO. :- 11305551

SR. NO.	PART NO.	DESCRIPTION	QTY.	REMARKS
1	11204872	TRACTOR CENTER HOUSING-MIT.(4WD)	1	
2	11202400	RUBBER GASKET,CLUTCH HOUSING	1	
3	11202399	BOTTOM PLATE, CLUTCH HOUSING	1	
4	11203019	CLUTCH STOPER	1	
5	11202430	BUSH, PEDAL IGUS (Ø25 x Ø28 x 30)	2	
6	11505035	HEX.BOLT 10x45x1.25P(H.T)	2	
7	11503270	HEX BOLT M10x35x1.25P [10.9]	6	
8	11500062	SPRING WASHER - 10mm	8	
9	11500076	HEX BOLT M8 x 16	8	
10	11201458	PIN, DOWEL Ø11X25	2	
11	11500118	SPRING WASHER 12 mm	8	
12	11502088	GREASE NIPPLE M8x1	3	
13	11500024	HEX NUT M10	1	
14	11500051	HEX. BOLT M8 X 25 (F.T.)	2	
15	11500052	SPRING WASHER - 8mm	10	
16	11500232	HEX. BOLT M10 X 30 (F.T.)	1	
17	11501772	HEX. BOLT M12x40 (H.T.)- GRADE- 10.9	8	
18	11502984	OIL SEAL Ø40XØ20X7	1	
19	11500112	COPPER WASHER Ø8XØ12X1	1	
20	11500489	HEX BOLT M8 X 12 (F.T.)	1	
21	11204746	RUBBER GROMMET Ø10.5 FOR FRONT AXLE	4	

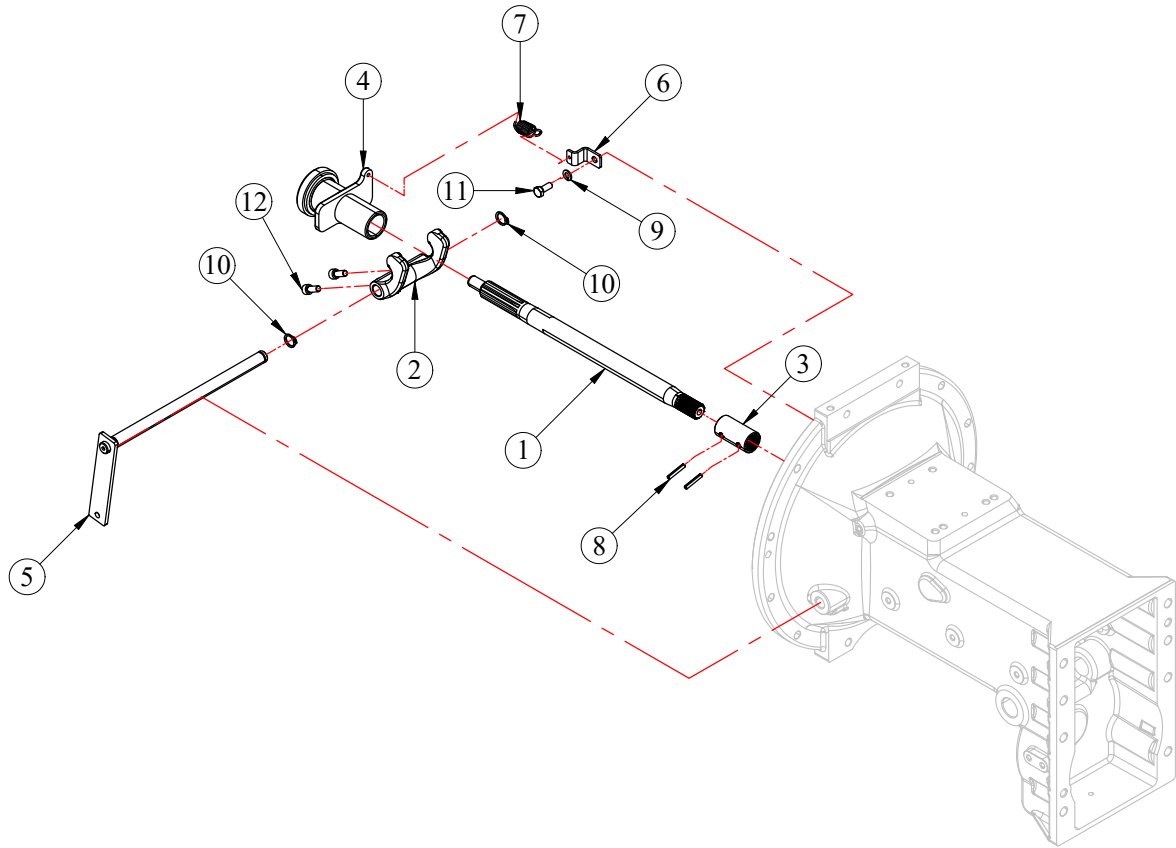


4WD LINKAGE ASSY

MODEL :- 223,223 NT,223 EU

ASSEMBLY NO. :- 11305545

SR. NO.	PART NO.	DESCRIPTION	QTY.	REMARKS
1	11203097	SHIFTER,4WD	1	
2	11203098	LEVER, 4WD SHIFTING	1	
3	11202125	GRIP HAND THROTTLE LEVER	1	
4	11202406	LOCK WASHER , DIFFERENTIAL LOCK	1	
5	11203125	SHIFTER, GUIDE , 4WD	1	
6	11203133	LINK ,4WD	1	
7	11500082	HEX NUT M8	1	
8	11500071	HEX. BOLT M6x15 (F.T.)8.8	1	
9	11203135	PIN ,4WD	1	
10	11500080	PLAIN WASHER Ø12.5xØ26x3	1	
11	11500073	SPRING WASHER - 6 mm	1	
12	11504884	O-RING Ø18.77 x 1.78	1	
13	11500357	SPLIT PIN 1/8" x 1.1/2"	1	
14	11500078	PLAIN WASHER Ø10.5xØ22x1.5	1	
15	11500619	SPLIT PIN 3/32" x 1"	1	
16	11502531	SLOTTED SPRING PIN Ø6X30	1	
17	11500067	HEX. BOLT M8X20 (F.T)	1	

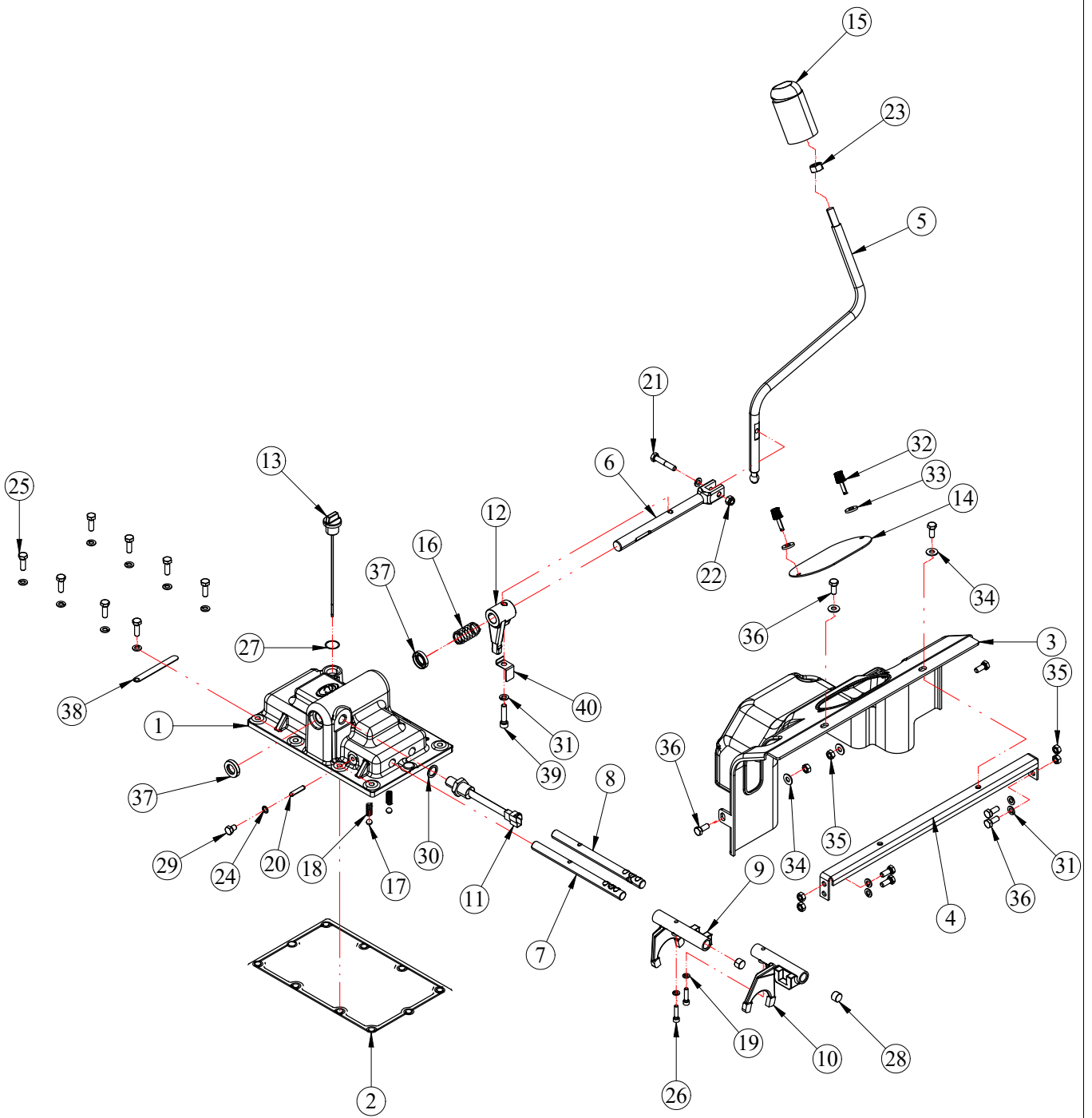


CLUTCH RELEASE MECHANISMS

MODEL :- 223,223 NT,223 EU

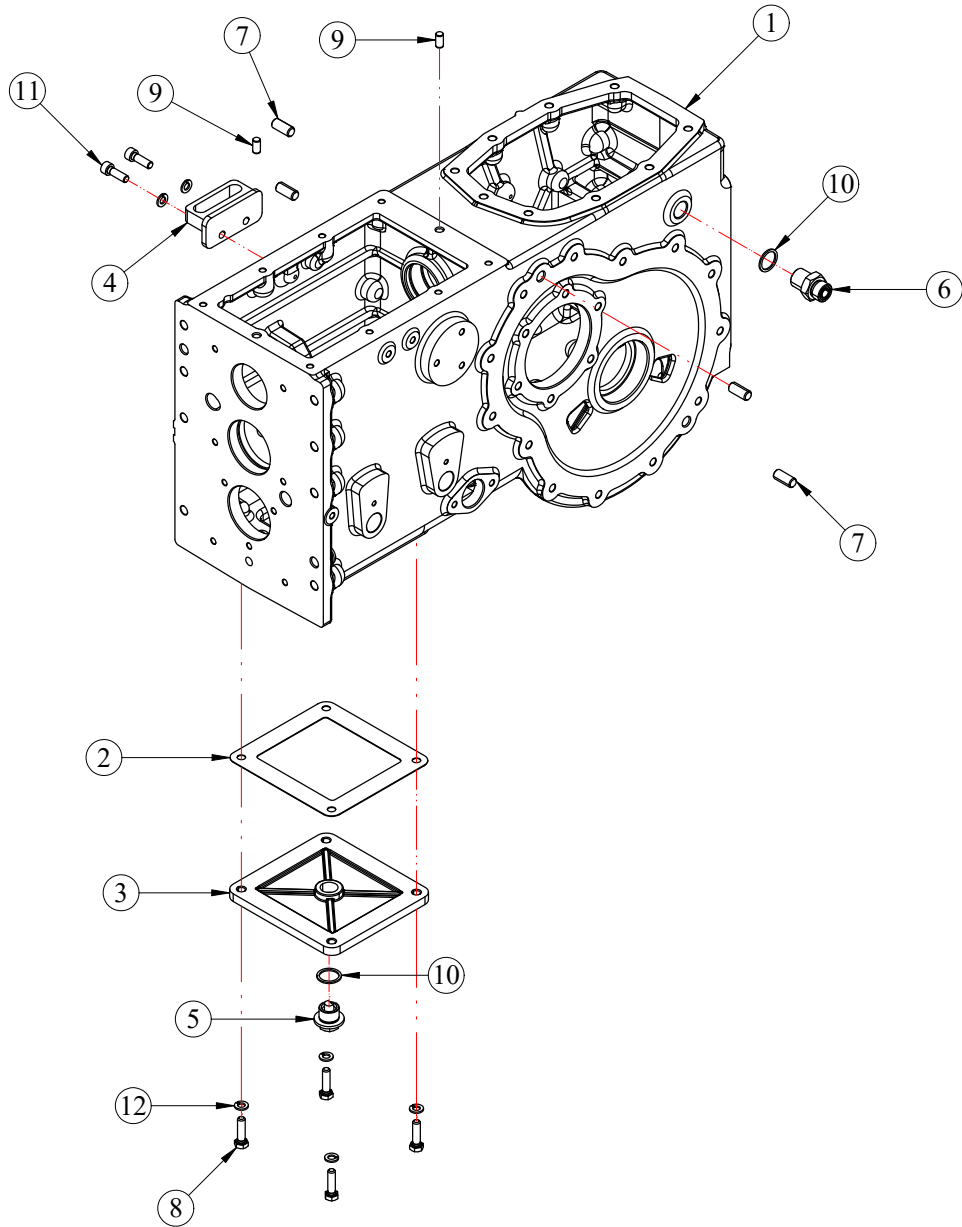
ASSEMBLY NO. :- 11305552

SR. NO.	PART NO.	DESCRIPTION	QTY.	REMARKS
1	11202381	SHAFT, INPUT	1	
2	11202468	FORK, CLUTCH RELEASE	1	
3	11202379	COUPLING, INPUT SHAFT	1	
4	11203096	HUB, CLUTCH RELEASE	1	
5	11202469	SHAFT, CLUTCH RELEASE	1	
6	11202401	BRACKET ,SPRING HOLDING	1	
7	11200057	SPRING CLUTCH HUB	1	
8	11502524	SLOTTED SPRING PIN Ø5X30	2	
9	11500052	SPRING WASHER - 8mm	1	
10	11503276	CIRCLIP EXTERNAL Ø16X1.5	2	
11	11500067	HEX. BOLT M8X20 (F.T)	1	
12	11500599	ALLEN BOLT M8x20 (F.T)	2	



TCA ASSEMBLY
MODEL :- 223 EU
ASSEMBLY NO. :- 11307683

SR. NO.	PART NO.	DESCRIPTION	QTY.	REMARKS
1	11202349	HOUSING TCA	1	
2	11202395	GASKET TCA	1	
3	11205773	TCA COVER - 488 (RH LEVER GEAR SHIFTING)	1	
4	11205225	SUPPORT - TCA COVER	1	
5	11205764	LEVER - GEAR SHIFTING RH	1	
6	11205763	SHAFT - SHIFTING TCA RH	1	
7	11202391	SHIFT RAIL 2-3	1	
8	11202390	SHIFT RAIL 1-R	1	
9	11202351	FORK 2-3	1	
10	11202350	FORK 1-R	1	
11	11402494	NEUTRAL SAFETY SWITCH	1	
12	11203099	SHIFTER, TCA	1	
13	11302410	DIPSTICK, TCA	1	
14	11205320	WINDOW TCA COVER	1	
15	11202432	KNOB, GEAR SHIFTING LEVER	1	
16	11203100	SPRING, L-41	1	
17	11500089	BALL - Ø3/8"	2	
18	11200090	SPRING SHIFT RAIL	2	
19	11500073	SPRING WASHER - 6 mm	2	
20	11202990	INTER LOCK PIN, TCA	1	
21	11505403	HEX BOLT M8 X 45 HT 10.9	1	
22	11500520	NYLOCK HEX NUT M8	1	
23	11500117	HEX NUT M12	1	
24	11500112	COPPER WASHER Ø8XØ12X1	1	
25	11500051	HEX. BOLT M8 X 25 (F.T.)	8	
26	11504743	ALLEN BOLT M6X25 (F.T)	2	
27	11504885	O RING Ø20.35 X 1.78	1	
28	11200097	SEALING CAP	2	
29	11500489	HEX BOLT M8 X 12 (F.T.)	1	
30	11504908	COPPER WASHER Ø22 X Ø16 X 1.5	1	
31	11500052	SPRING WASHER - 8mm	14	
32	11205321	KNOB M6X25	2	
33	11201535	RUBBER WAHSER Ø9xØ22x3.5	2	
34	11501068	PLAIN WASHER Ø8.5XØ19X1.5	4	
35	11500082	HEX NUT M8	6	
36	11500067	HEX. BOLT M8X20 (F.T)	8	
37	11502753	OIL SEAL Ø18XØ30X7	2	
38	11205377	CLIP FOR WIRING HARNESS	1	
39	11503264	ALLEN BOLT M8x35 (F.T.)	1	
40	11206735	LOCKING FLAP,SHIFTER TCA	1	

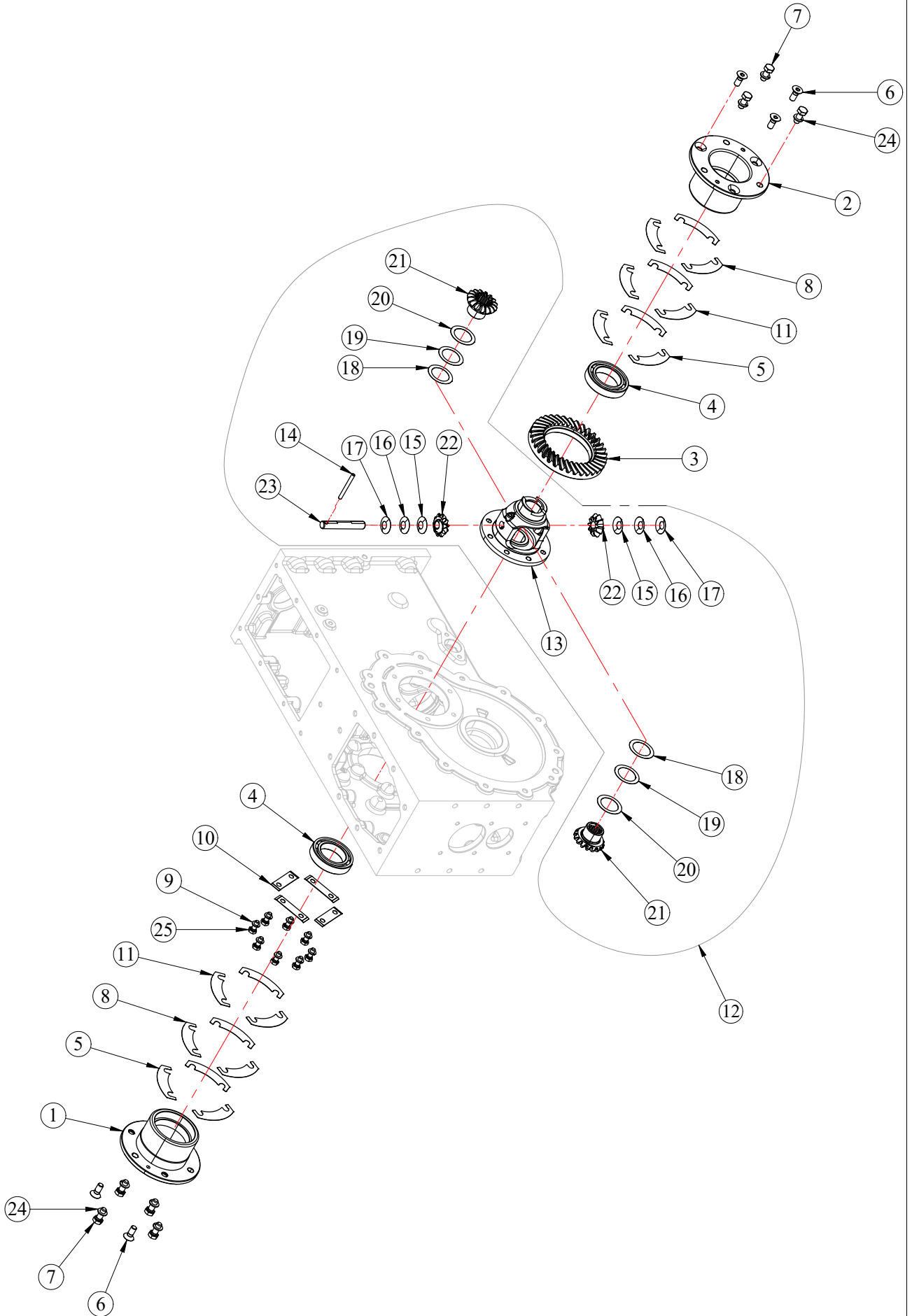


TRANSMISSION HOUSING ASSEMBLY

MODEL :- 223 EU

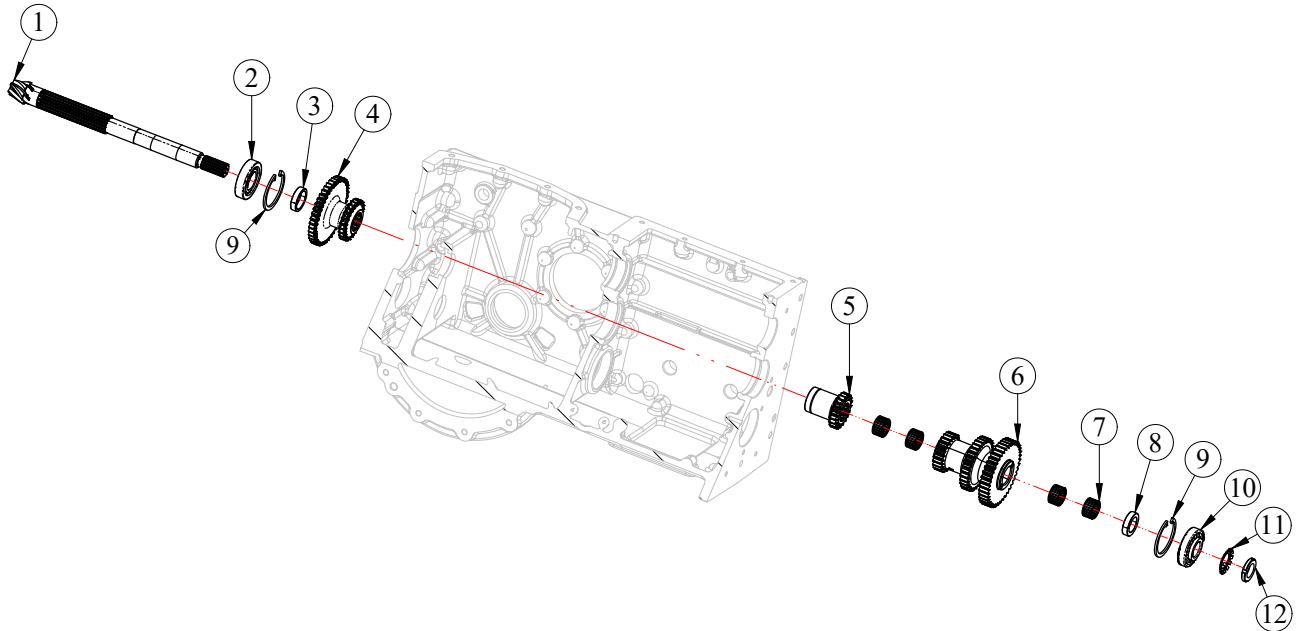
ASSEMBLY NO. :- 11307690

SR. NO.	PART NO.	DESCRIPTION	QTY.	REMARKS
1	11206740	TRACTOR HOUSING TRANSMISSION	1	
2	11202397	GASKET, PLATE BOTTOM	1	
3	11203114	PLATE, BOTTOM	1	
4	11205998	GUIDE PLATE RH - LEVER GEAR SHIFTING	1	
5	11200121	DRAIN PLUG MAGNETIC	1	
6	11205327	NIPPLE 1/2" BSP X 13/16" UN	1	
7	11201458	PIN, DOWEL Ø11X25	4	
8	11500580	HEX BOLT M8x30 (F.T) [8.8]	4	
9	11200119	PIN, DOWEL Ø8 X 16	2	
10	11500430	COPPER WASHER Ø21XØ26X1.5	2	
11	11500157	Allen Bolt M8x25 (F.T.)	2	
12	11500052	SPRING WASHER - 8mm	6	



DIFFERENTIAL CAGE ASSEMBLY
MODEL :- 223,223 NT,223 EU
ASSEMBLY NO. :- 11305554

SR. NO.	PART NO.	DESCRIPTION	QTY.	REMARKS
1	11203112	FLANGE,BEARING LH	1	
2	11203113	FLANGE,BEARING RH	1	
3	11301276	CROWN-PINION SET 6X35	1	
4	11502519	BALL BEARING 6010	2	
5	11202463	SHIM, FLANGE BEARING (0.15)	6	QTY:- AR
6	11501450	CSK BOLT M10 X 25	5	
7	11500156	HEX. BOLT M10X25 (F.T.)	7	
8	11203298	SHIM, FLANGE BEARING (0.20)	6	QTY:- AR
9	11500052	SPRING WASHER - 8mm	8	
10	11202462	LOCK WASHER , CROWN WHEEL	4	
11	11202464	SHIM, FLANGE BEARING (0.50)	6	QTY:- AR
12	11406062	CAGE ASSEMBLY	1	
13	11202411	CAGE - DIFFERENTIAL	1	
14	11502409	SLOTTED SPRING PIN Ø6 x 60	1	
15	11202415	SHIM, BEVEL GEAR 10T (0.15)	2	QTY:- AR
16	11205065	SHIM, BEVEL GEAR 10T (0.20)	2	QTY:- AR
17	11202416	SHIM, BEVEL GEAR 10T (0.50)	2	QTY:- AR
18	11202413	SHIM, BEVEL GEAR 16T (0.15)	2	QTY:- AR
19	11205066	SHIM, BEVEL GEAR 16T (0.20)	2	QTY:- AR
20	11202414	SHIM, BEVEL GEAR 16T (0.50)	2	QTY:- AR
21	11202394	BEVEL GEAR 16 T	2	
22	11202393	BEVEL GEAR 10 T	2	
23	11202412	SHAFT, BEVEL GEAR 10T	1	
24	11500062	SPRING WASHER - 10mm	7	
25	11505602	HEX. BOLT M8X20 (F.T) 10.9 GRADE	8	

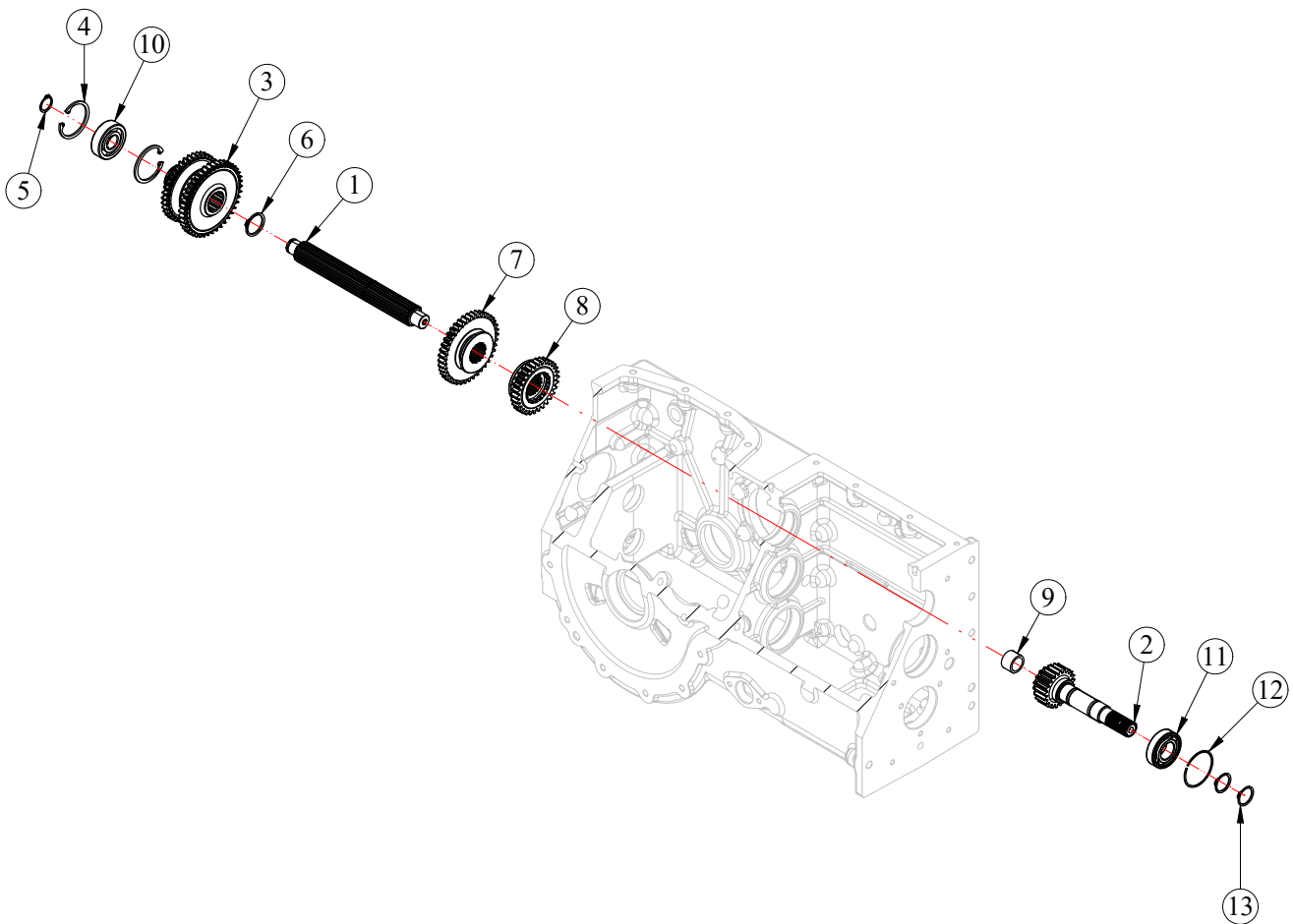


PINION SHAFT ASSEMBLY

MODEL :- 223,223 NT,223 EU

ASSEMBLY NO. :- 11305586

SR. NO.	PART NO.	DESCRIPTION	QTY.	REMARKS
1	11301276	CROWN-PINION SET 6X35	1	
2	11501566	TAPPER ROLLER BEARING 30206	1	
3	11202421	COLLER WASHER Ø38.1XØ30X9	1	
4	11202366	GEAR , COUNTER M-L (2700 RPM)	1	
5	11202365	GEAR, COUNTER H (2700 RPM)	1	
6	11202362	GEAR COUNTER	1	
7	11502521	NEEDLE BEARING K Ø25XØ30X17	4	
8	11202422	SPACER FOR PINION SHAFT (38.1X 25X10)	1	
9	11502528	CIRCLIP, INTERNAL Ø62X3.00	2	
10	11501462	TAPPER ROLLER BEARING - 30305	1	
11	11203101	LOCKING WASHER Ø25.9	1	
12	11203102	RING NUT M25x1.5P	1	

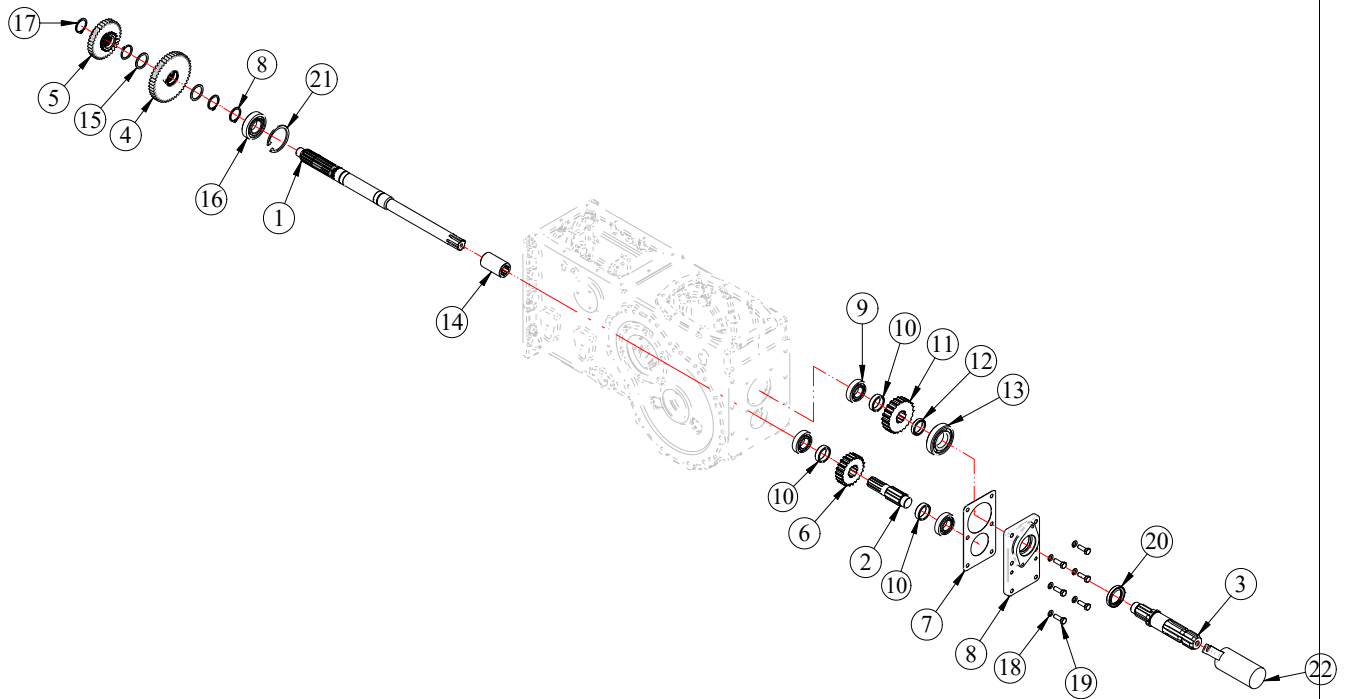


MAIN SHAFT ASSEMBLY

MODEL :- 223,223 NT,223 EU

ASSEMBLY NO. :- 11305582

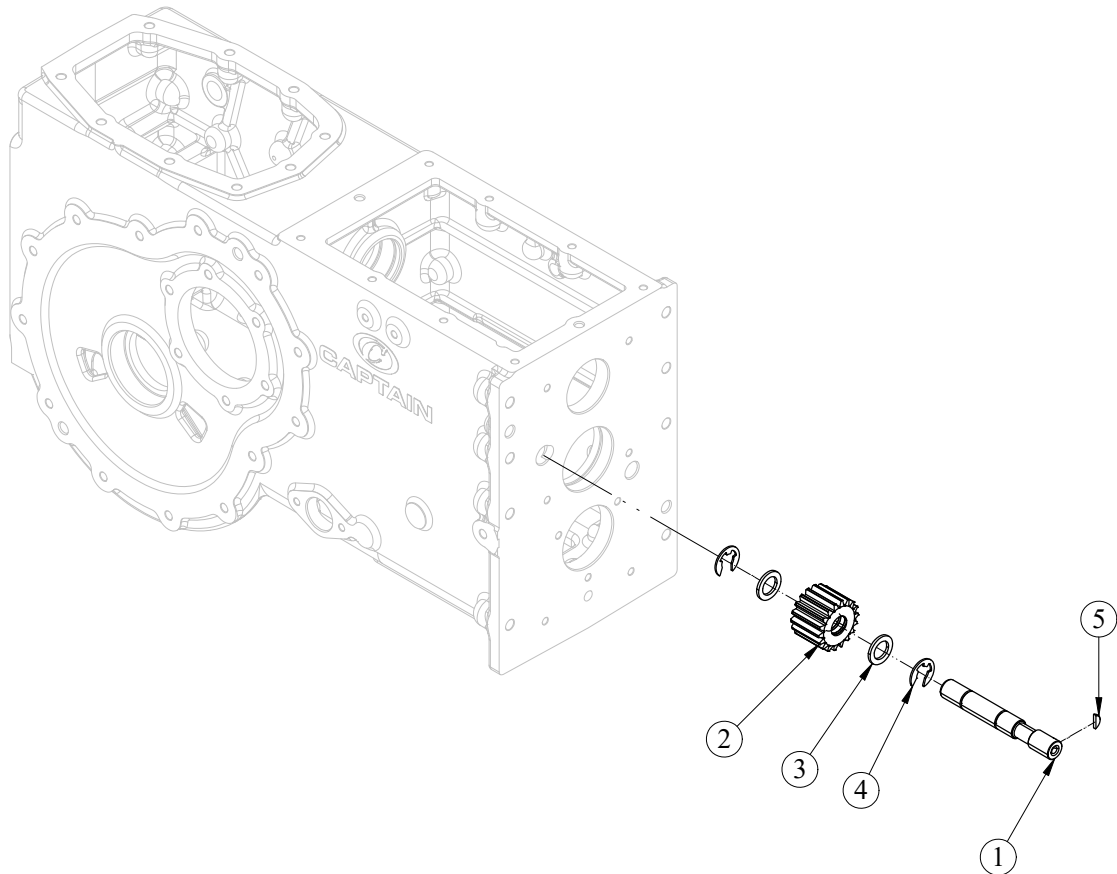
SR. NO.	PART NO.	DESCRIPTION	QTY.	REMARKS
1	11202374	MAIN SHAFT	1	
2	11202356	DRIVING SHAFT (21T)	1	
3	11202360	GEAR H-M-L (2700 RPM)	1	
4	11502530	CIRCLIP, INTERNAL Ø52X2.50	2	
5	11501064	CIRCLIP EXTERNAL Ø20X1.2	1	
6	11503052	CIRCLIP, EXTERNAL Ø30X2	1	
7	11202358	GEAR (40 T)	1	
8	11202357	GEAR (30T)	1	
9	11502522	NEEDLE BEARING K Ø20XØ26X17	1	
10	11502518	BALL BEARING 6304	1	
11	11502520	BALL BEARING 6205-N	1	
12	11503039	BEARING LOCK FOR 6205 N	1	
13	11501451	CIRCLIP, EXTERNAL Ø25x1.2	2	



PTO SHAFT ASSEMBLY

MODEL :- 223,223 NT,223 EU
ASSEMBLY NO. :- 11305649

SR. NO.	PART NO.	DESCRIPTION	QTY.	REMARKS
1	11202375	SHAFT, PTO	1	
2	11201337	SHAFT, PTO IDLE GEAR	1	
3	11201342	SHAFT PTO	1	
4	11302373	GEAR PTO (45T)	1	
5	11202372	GEAR (35 T)	1	
6	11201338	GEAR PTO IDLE	1	
7	11201343	GASKET, PTO COVER	1	
8	11204957	COVER PTO	1	
9	11500164	BALL BEARING 6205	3	
10	11201336	DISTANCE (Ø30.1xØ38x11.5)	3	
11	11201340	GEAR PTO	1	
12	11201339	DISTANCE (Ø30.1xØ38x8.5)	1	
13	11501463	BALL BEARING 6207	1	
14	11201335	COLLAR	1	
15	11202424	WASHER (P.T.O.) Ø38 X Ø30.5 X 2	2	
16	11501118	BALL BEARING 6206	1	
17	11503052	CIRCLIP, EXTERNAL Ø30X2	4	
18	11500052	SPRING WASHER - 8mm	6	
19	11500051	HEX. BOLT M8 X 25 (F.T.)	6	
20	11505362	OIL SEAL Ø35x Ø50x8 (NBR)	1	
21	11502528	CIRCLIP, INTERNAL Ø62X3.00	1	
22	11201488	COVER, PTO SHAFT	1	

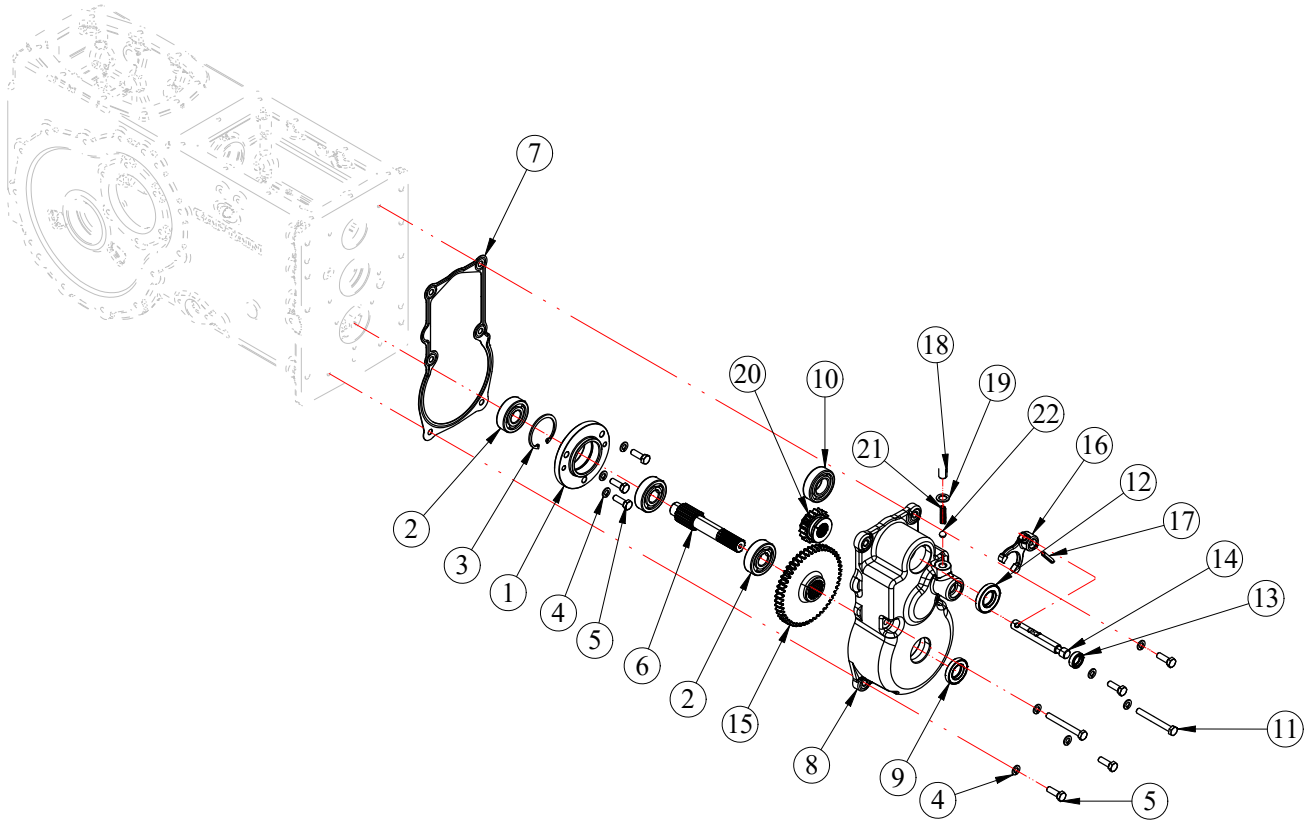


REVERSE GEAR ASSEMBLY

MODEL :- 223,223 NT,223 EU

ASSEMBLY NO. :- 11305591

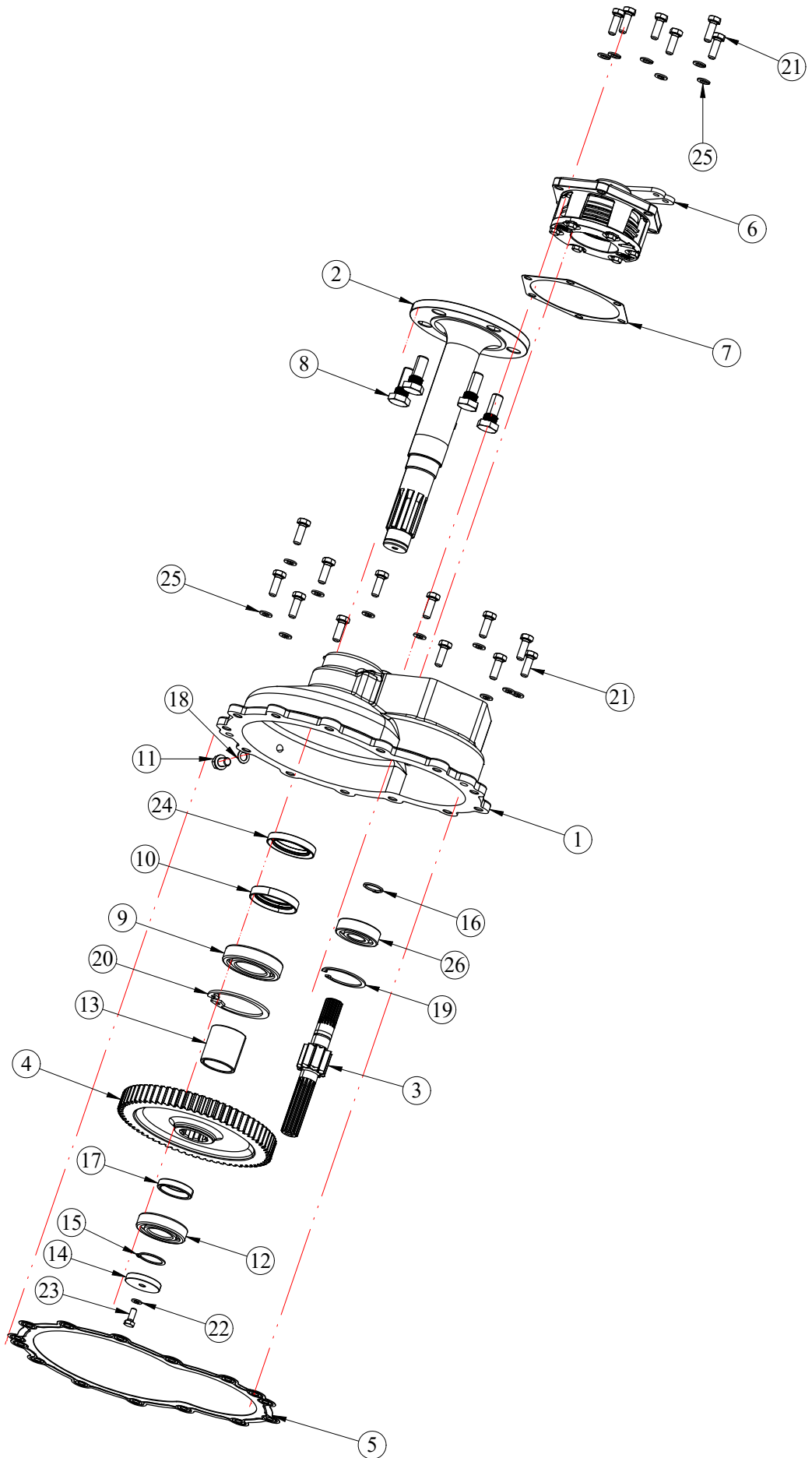
SR. NO.	PART NO.	DESCRIPTION	QTY.	REMARKS
1	11202506	SHAFT, REVERSE GEAR	1	
2	11302361	GEAR REVERSE (18T)	1	
3	11202534	WASHER - REVERSE GEAR Ø18XØ28X2.5	2	
4	11503225	CIRCLIP EXTERNAL E-15	2	
5	11200127	KEY, REVERSE GEAR	1	



INPUT SHAFT & 4WD SHAFT ASSEMBLY

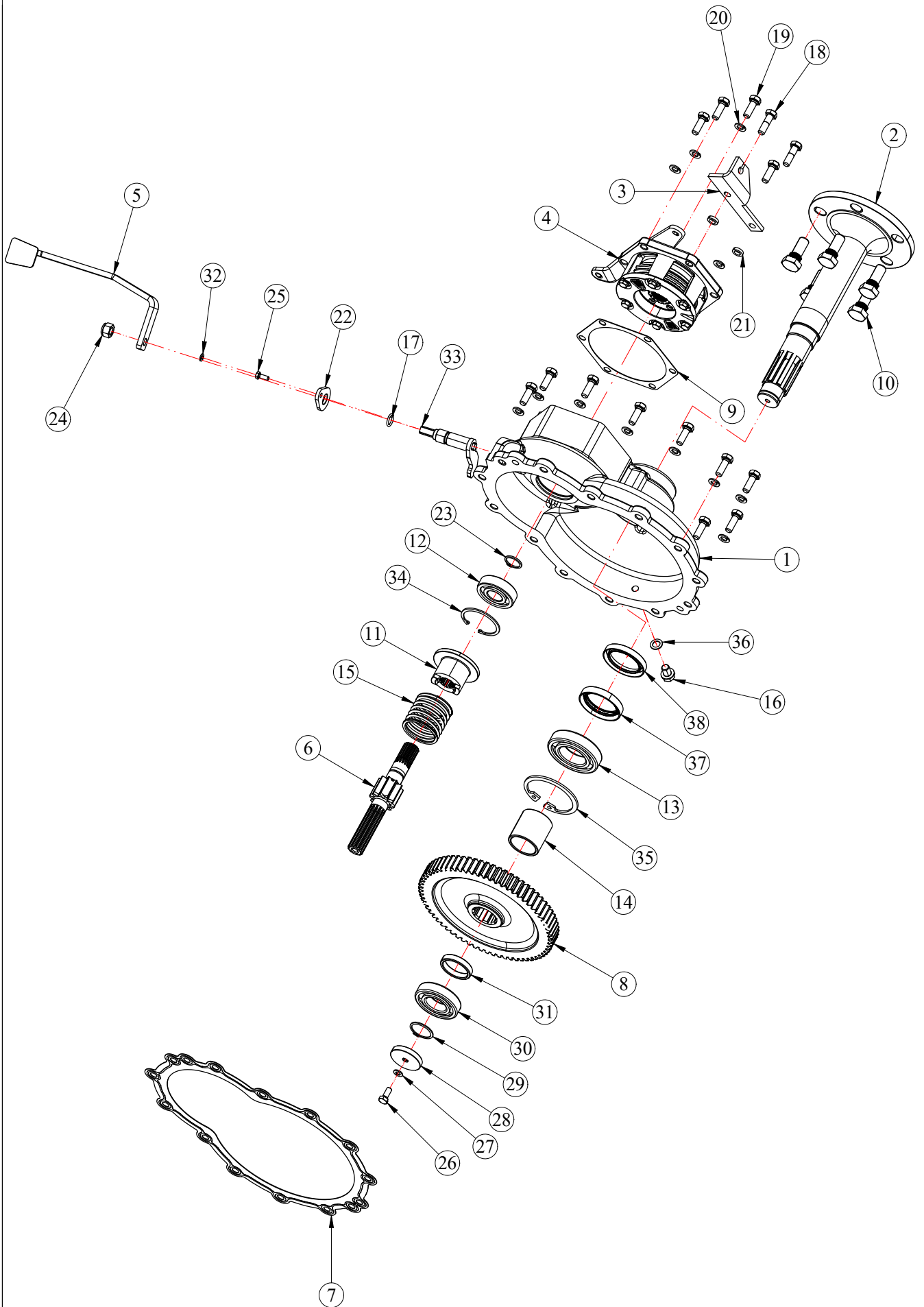
MODEL :- 223,223 NT,223 EU
ASSEMBLY NO. :- 11305581

SR. NO.	PART NO.	DESCRIPTION	QTY.	REMARKS
1	11202387	BEARING CUP	1	
2	11502518	BALL BEARING 6304	3	
3	11502529	CIRCLIP, INTERNAL Ø52X2.00	1	
4	11500052	SPRING WASHER - 8mm	9	
5	11500051	HEX. BOLT M8 X 25 (F.T.)	7	
6	11202371	DRIVE SHAFT 4WD (14T)	1	
7	11202396	GASKET, HOLDER BEARING	1	
8	11202346	HOLDER BEARING (4WD)	1	
9	11502984	OIL SEAL Ø40XØ20X7	1	
10	11500164	BALL BEARING 6205	1	
11	11505132	HEX. BOLT M8 X 70 (H.T.)	2	
12	11502539	OIL SEAL Ø22xØ45x7	1	
13	11502538	OIL SEAL Ø14xØ24x7	1	
14	11203124	RAIL SHAFT, 4WD	1	
15	11204667	GEAR,4WD (50-T)	1	
16	11202354	FORK, 4WD	1	
17	11502531	SLOTTED SPRING PIN Ø6X30	1	
18	11500192	HEX BOLT (SP. TYPE) M12x20 [8.8]	1	
19	11500007	COPPER WASHER Ø12xØ19x1.5	1	
20	11204665	GEAR, 4WD (18-T)	1	
21	11200191	SPRING, LENGTH -22	1	
22	11500089	BALL - Ø3/8"	1	



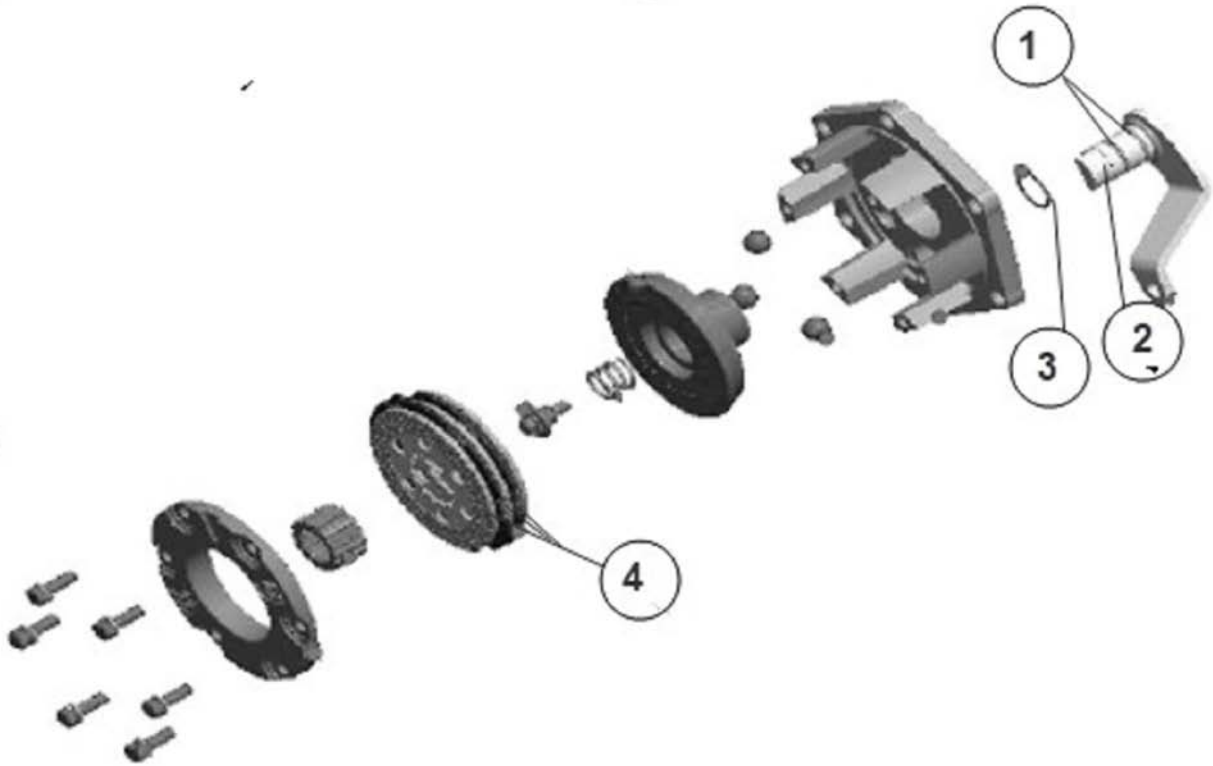
FINAL DRIVE LH 263
MODEL :- 223 EU
ASSEMBLY NO. :- 11305563

SR. NO.	PART NO.	DESCRIPTION	QTY.	REMARKS
1	11202348	CASE, REAR AXLE LH	1	
2	11204946	SHAFT, REAR AXLE (352)	1	
3	11204668	BULL SHAFT -3.25 (10-T)	1	
4	11204669	GEAR, BULL (67-T)	1	
5	11202398	GASKET CASE REAR AXLE	1	
6	11405496	WET BRAKE LH	1	
7	11203155	GASKET, BRAKE ASSMBLY (OIB)	1	
8	11202777	BOLT, REAR AXLE	5	
9	11501464	BALL BEARING 6209	1	
10	11501471	OIL SEAL (Ø70 X Ø50 X 12)	1	
11	11504997	DRAIN PLUG (M12x1.5x16)	1	
12	11501463	BALL BEARING 6207	1	
13	11203116	DISTANCE, (Ø42.1XØ50.8X53)	1	
14	11201367	DISTANCE, REAR AXLE	1	
15	11501456	CIRCLIP, EXTERNAL (Ø35X1.5)	1	
16	11503273	CIRCLIP EXTERNAL Ø25X2	1	
17	11203117	DISTANCE, (Ø42.1xØ51x10)	1	
18	11500007	COPPER WASHER Ø12xØ19x1.5	1	
19	11501126	CIRCLIP, INTERNAL Ø62X2	1	
20	11501457	CIRCLIP, INTERNAL Ø85X3	1	
21	11500232	HEX. BOLT M10 X 30 (F.T.)	19	
22	11500052	SPRING WASHER - 8mm	1	
23	11500067	HEX. BOLT M8X20 (F.T)	1	
24	11503198	OIL SEAL (Ø70 x Ø50 x 10)	1	
25	11500062	SPRING WASHER - 10mm	19	
26	11501466	BALL BEARING 6305	1	



FINAL DRIVE RH
MODEL :- 223 EU
ASSEMBLY NO. :- 11305564

SR. NO.	PART NO.	DESCRIPTION	QTY.	REMARKS
1	11202347	CASE, REAR AXLE RH	1	
2	11204946	SHAFT, REAR AXLE (352)	1	
3	11205401	BRACKET - BRAKE CABLE RH	1	
4	11405495	WET BRAKE RH	1	
5	11206420	PEDAL DIFFERENTIAL LOCK	1	
6	11204668	BULL SHAFT -3.25 (10-T)	1	
7	11202398	GASKET CASE REAR AXLE	1	
8	11204669	GEAR, BULL (67-T)	1	
9	11203155	GASKET, BRAKE ASSMBLY (OIB)	1	
10	11202777	BOLT, REAR AXLE	5	
11	11202380	DIFFERENTIAL LOCK	1	
12	11501466	BALL BEARING 6305	1	
13	11501464	BALL BEARING 6209	1	
14	11203116	DISTANCE, (Ø42.1XØ50.8X53)	1	
15	11202814	SPRING, DIFFERENTIAL LOCK	1	
16	11504997	DRAIN PLUG (M12x1.5x16)	1	
17	11504882	O-RING Ø15.54 x 2.62	1	
18	11500979	HEX BOLT M10x35 (H.T.) [10.9]	2	
19	11500232	HEX. BOLT M10 X 30 (F.T.)	17	
20	11500062	SPRING WASHER - 10mm	17	
21	11205502	WASHER, BRACKET BRAKE CABLE	2	
22	11202406	LOCK WASHER , DIFFERENTIAL LOCK	1	
23	11503273	CIRCLIP EXTERNAL Ø25X2	1	
24	11501024	NYLOCK HEX. NUT M12	1	
25	11500071	HEX. BOLT M6x15 (F.T.)8.8	1	
26	11500067	HEX. BOLT M8X20 (F.T)	1	
27	11500052	SPRING WASHER - 8mm	1	
28	11201367	DISTANCE, REAR AXLE	1	
29	11501456	CIRCLIP, EXTERNAL (Ø35X1.5)	1	
30	11501463	BALL BEARING 6207	1	
31	11203117	DISTANCE, (Ø42.1xØ51x10)	1	
32	11500073	SPRING WASHER - 6 mm	1	
33	11202509	SHAFT, DIFFERENTIAL LOCK	1	
34	11501126	CIRCLIP, INTERNAL Ø62X2	1	
35	11501457	CIRCLIP, INTERNAL Ø85X3	1	
36	11500007	COPPER WASHER Ø12xØ19x1.5	1	
37	11501471	OIL SEAL (Ø70 X Ø50 X 12)	1	
38	11503198	OIL SEAL (Ø70 x Ø50 x 10)	1	

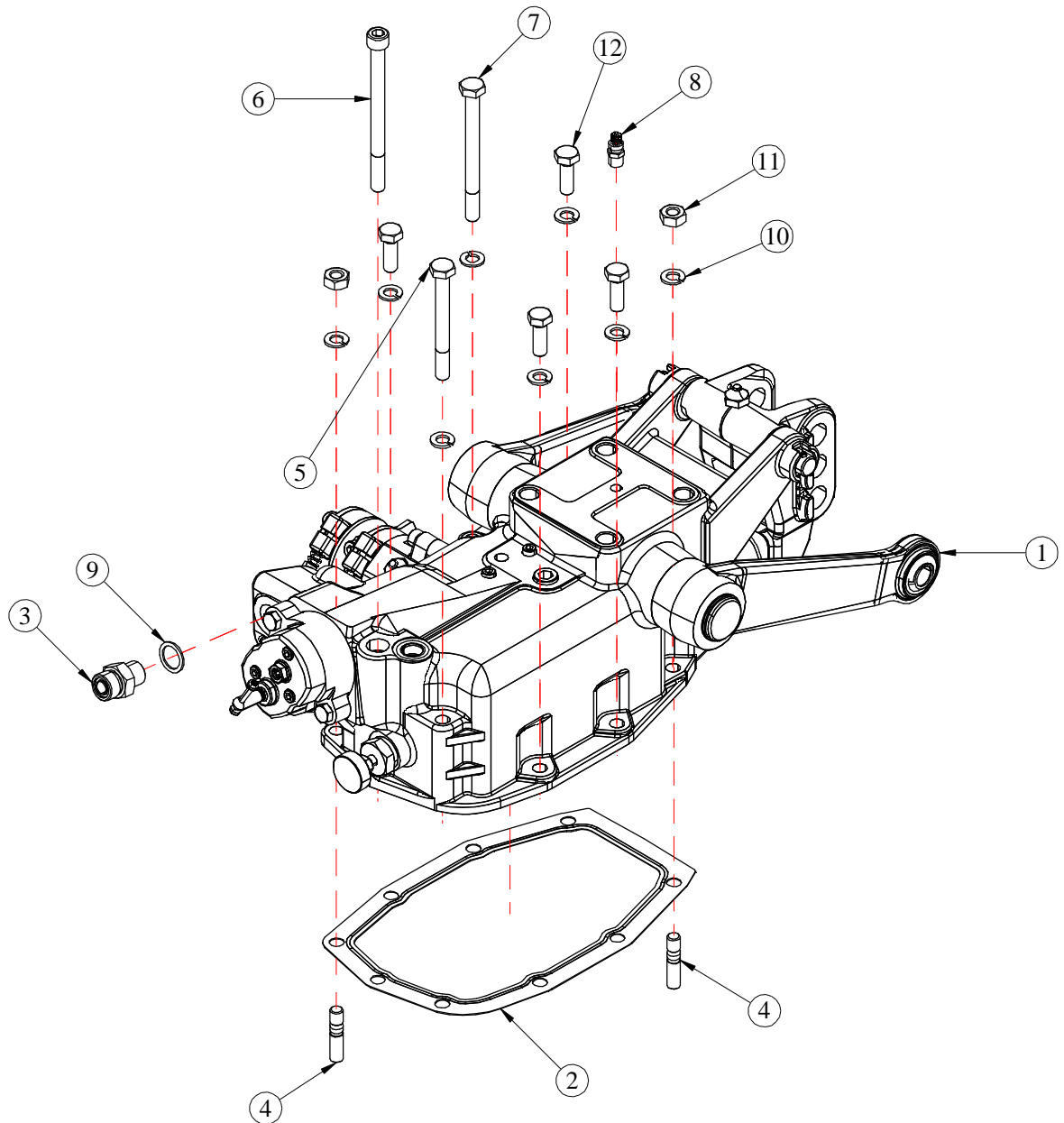


WET BRAKE ASSEMBLY RH & LH

MODEL :- 223 , 223 NT, 223 EU

ASSEMBLY NO.:-11305620

SR. NO.	PART NO.	DESCRIPTION	QTY.	REMARKS
1	11405603	O-RING	2	
2	11405604	O-RING	1	
3	11405606	SNAP RING	1	
4	11404802	FRICITION DISC	3	

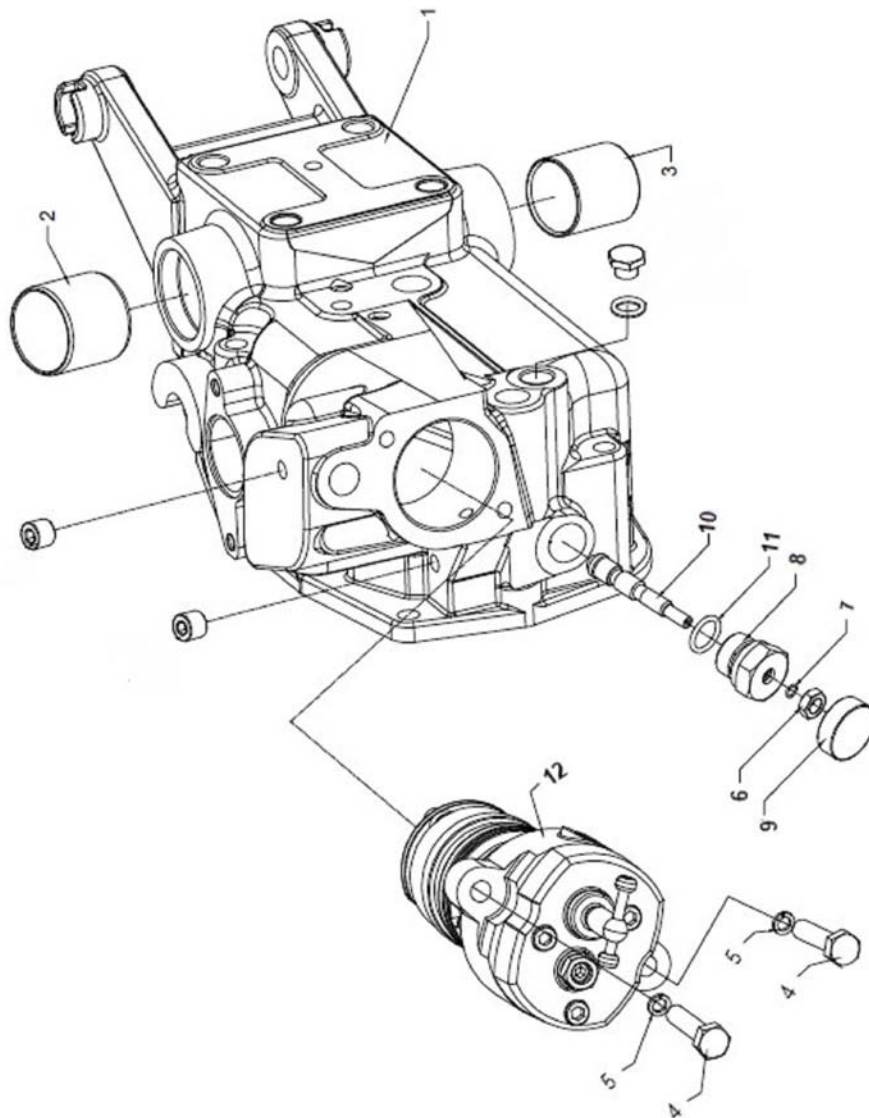


HYDRAULIC BODY ASSEMBLY

MODEL :- 223,223 NT,223 EU

ASSEMBLY NO. :- 11305578

SR. NO.	PART NO.	DESCRIPTION	QTY.	REMARKS
1	11402484	HYDRAULIC ASSY. (MITA)	1	
2	11202407	GASKET, HYD. UNIT	1	
3	11205328	NIPPLE M18 x 13/16" UN	1	
4	11501571	STUD M10 X 30	2	
5	11502535	HEX. BOLT (M10X95 10.9)	1	
6	11502537	ALLEN BOLT M10 (M10X130-10.9)	1	
7	11502536	HEX. BOLT M10 (M10X115-10.9)	1	
8	11203294	AIR BREATHER BOLT 1/8"-27 NTPF	1	
9	11502338	COPPER WASHER Ø18XØ24X1.5	1	
10	11500062	SPRING WASHER - 10mm	8	
11	11500024	HEX NUT M10	2	
12	11500232	HEX. BOLT M10 X 30 (F.T.)	4	

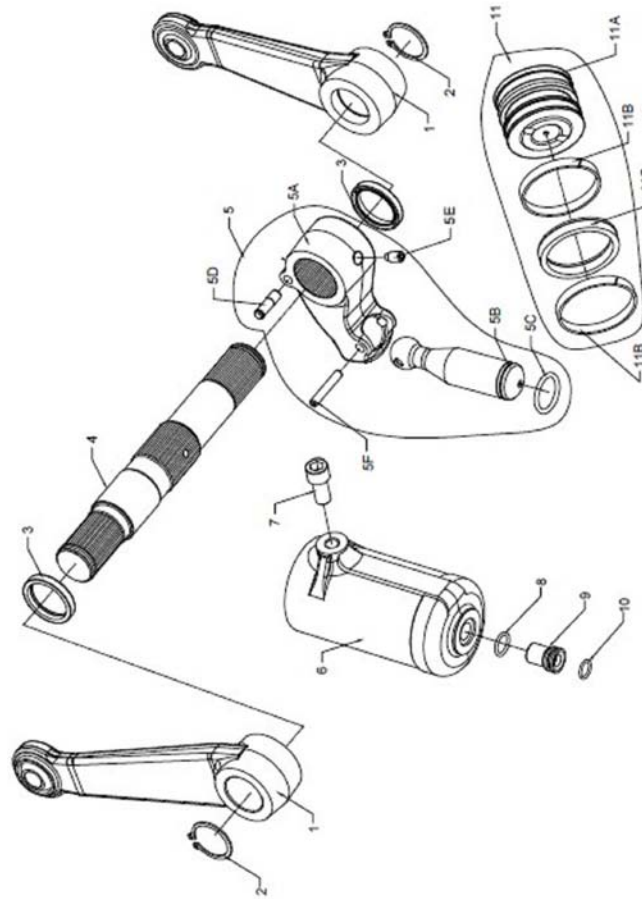


HOUSING ASSEMBLY

MODEL :- 223 , 223 NT, 223 EU

ASSEMBLY NO.:-11305578

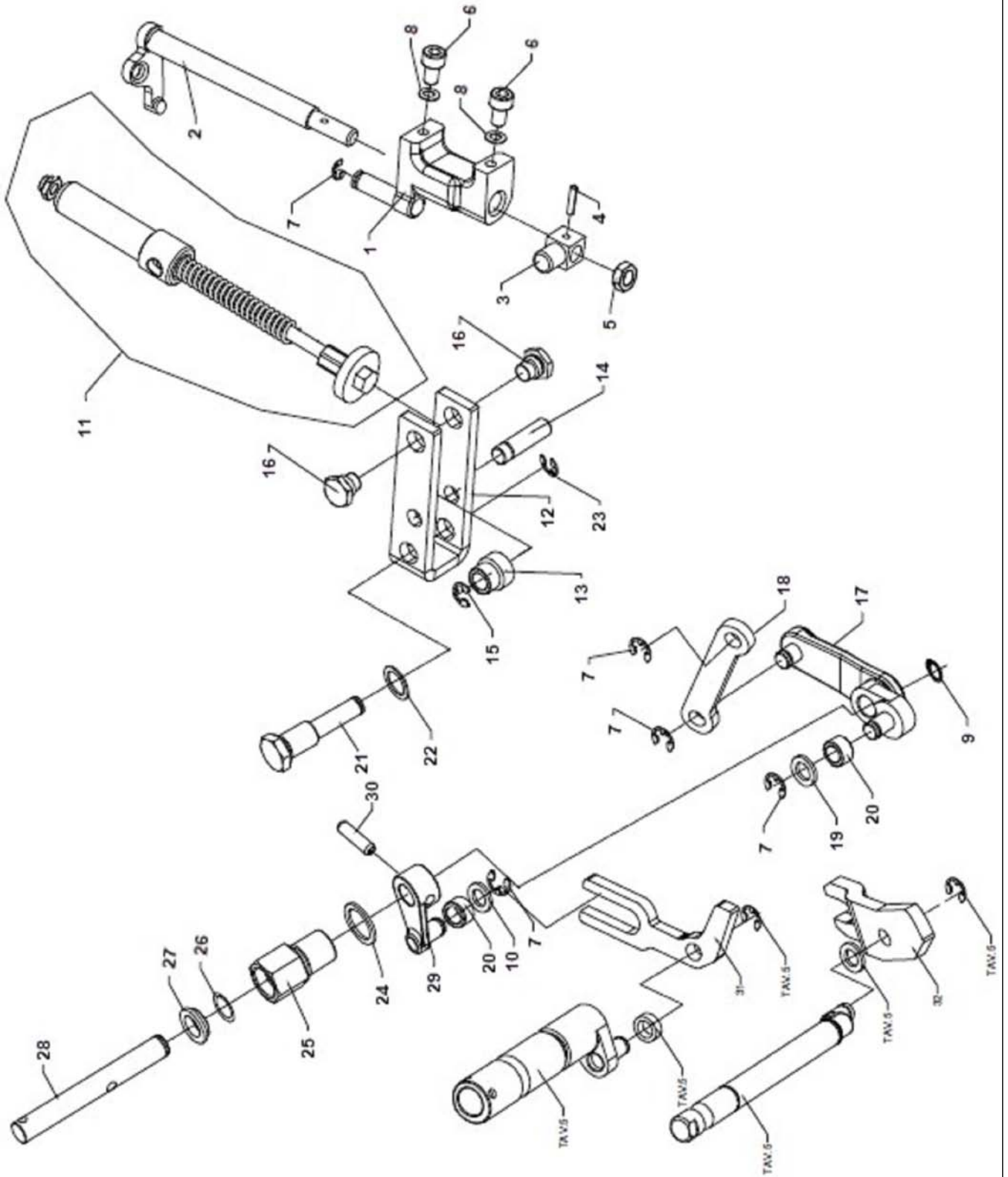
SR. NO.	PART NO.	DESCRIPTION	QTY.	REMARKS
1	11405801	HOUSING ASSY POS, 1-2-3-4	1	
2	11405802	BRONZINA DU 44/40*40 BUSH	1	
3	11405803	BRONZINA BUSH	1	
4	11405804	SCREW M8x35 DIN 931-8G	2	
5	11405805	GROWER D=8.1 DIN7980-ZINC	2	
6	11405806	LOCK NUT	1	
7	11405807	O-RING D7.8 T1.78	1	
8	11405808	PLUG	1	
9	11405809	PRE-SELECTOR KNOB	1	
10	11405810	PRE-SELECTOR	1	
11	11405811	O-RING	1	
12	11405812	CONTROL VALVE ASSEMBLY	1	



CYLINDER ASSEMBLY

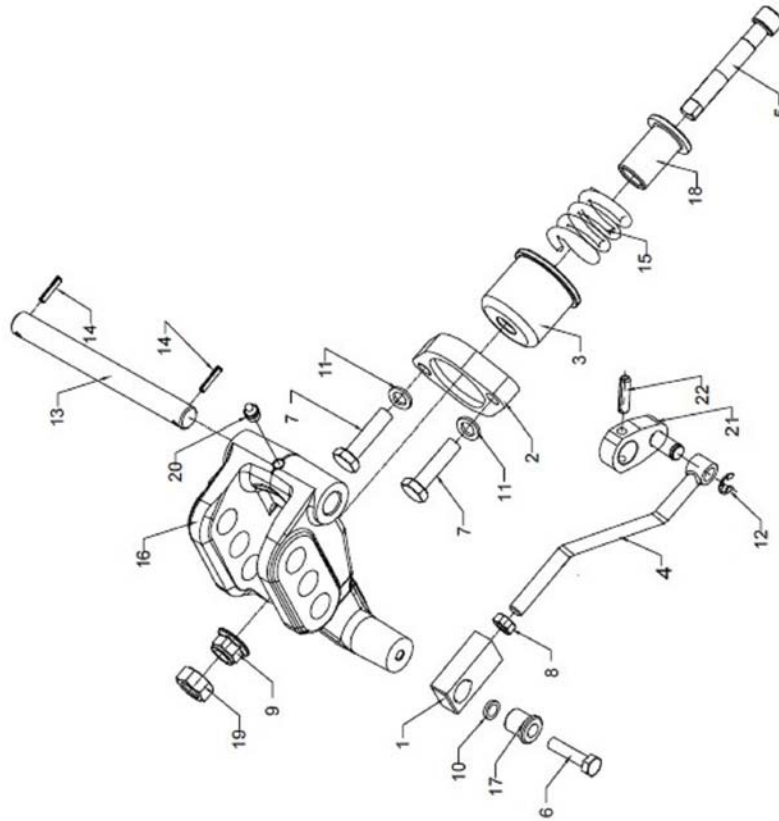
MODEL :- 223 , 223 NT, 223 EU
ASSEMBLY NO.:-11305578

SR. NO.	PART NO.	DESCRIPTION	QTY.	REMARKS
1	11405813	ARM	2	
2	11405814	CIRCLIP E34 UNI 7435 90	2	
3	11405815	ARM SEAL 35/45x7	2	
4	11405816	MAIN SHAFT	1	
5	11405817	KIT CRANK	1	
5A	11405819	CRANK	1	
5B	11405820	CON ROD	1	
5C	11405821	O RING	1	
5D	11405834	PIN	1	
5E	11405835	GRUB SCREW M8x16	1	
5F	11405836	ELASTIC PIN 6x40	1	
6	11405818	CYLINDER	1	
7	11405837	ALEN BOLT M12x25	1	
8	11405838	O RING	1	
9	11405839	PLUG	1	
10	11405840	O RING	1	
11	11405841	KIT PISTON	1	
11A	11405842	PISTON	1	
11B	11405843	PISTON GUIDE RING	2	
11C	11405844	PISTON SEAL B2555216/1/D	1	



INTERNAL LEVER ASSEMBLY
MODEL :- 223 , 223 NT, 223 EU
ASSEMBLY NO.:-11305578

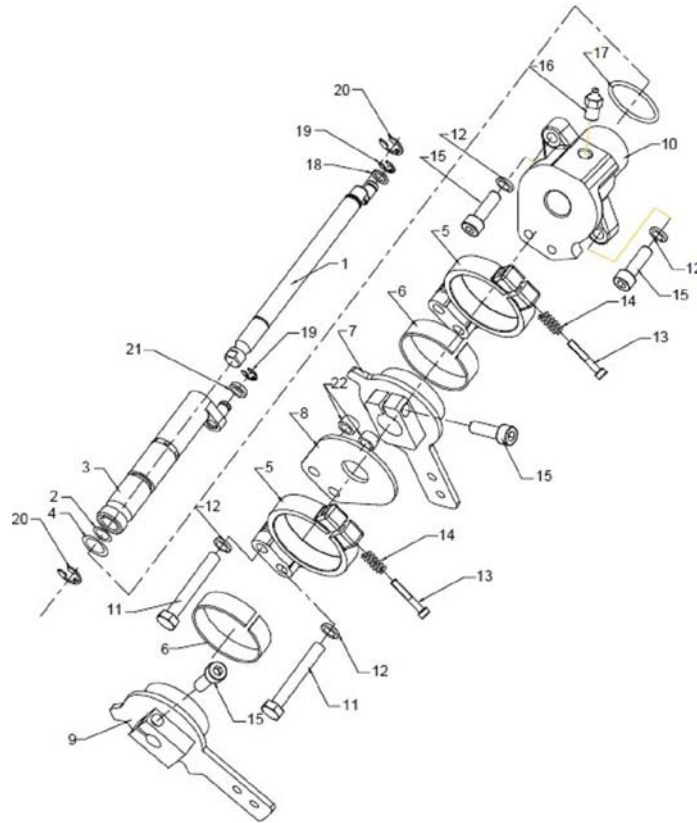
SR. NO.	PART NO.	DESCRIPTION	QTY.	REMARKS
1	11405845	LIMIT SWITCH SUPPORT WITH PIN	1	
2	11405846	LIMIT SWITCH LEVER	1	
3	11405847	PIN	1	
4	11405848	ELASTIC PIN DIA 3x14	1	
5	11405849	NUT M8	5	
6	11405850	ALLEN BOLT M6x16	2	
7	11405851	RADIAL CIRCLIP 6MM	5	
8	11405873	COPPER WASHER 6.4x10x1	2	
9	11405874	CIRCLIP	1	
10	11405875	PLAN WASHER	1	
11	11405876	PUSH ROD KIT	1	
12	11405852	LEVER	1	
13	11405853	WHEEL	1	
14	11405854	PIN	1	
15	11405855	RADIAL CIRCLIP 5MM	1	
16	11405856	SUPPORT PIN	2	
17	11405857	COMPENSATOR	1	
18	11405858	LINK	1	
19	11405859	COPPER WASHER 8.5x14x1.5	1	
20	11405860	ROLLER '8/12x7	1	
21	11405861	SUPPORT PIN	1	
22	11405862	COPPER WASHER 14.5/20x1	1	
23	11405863	RADIAL EXT. CIRCLIP	1	
24	11405864	WASHER	1	
25	11405865	SUPPORT PIN	1	
26	11405866	OR 11.91x2.62 sh80/90	1	
27	11405867	WASHER	1	
28	11405868	PIN	1	
29	11405869	LEVER WITH PIN	1	
30	11405870	ELASTIC PIN D4x24	1	
31	11405871	INTERNAL DRAFT LEVER	1	
32	11405872	LEVER	1	



TOP LINK BRACKET ASSEMBLY

MODEL :- 223 , 223 NT, 223 EU
ASSEMBLY NO.:-11305578

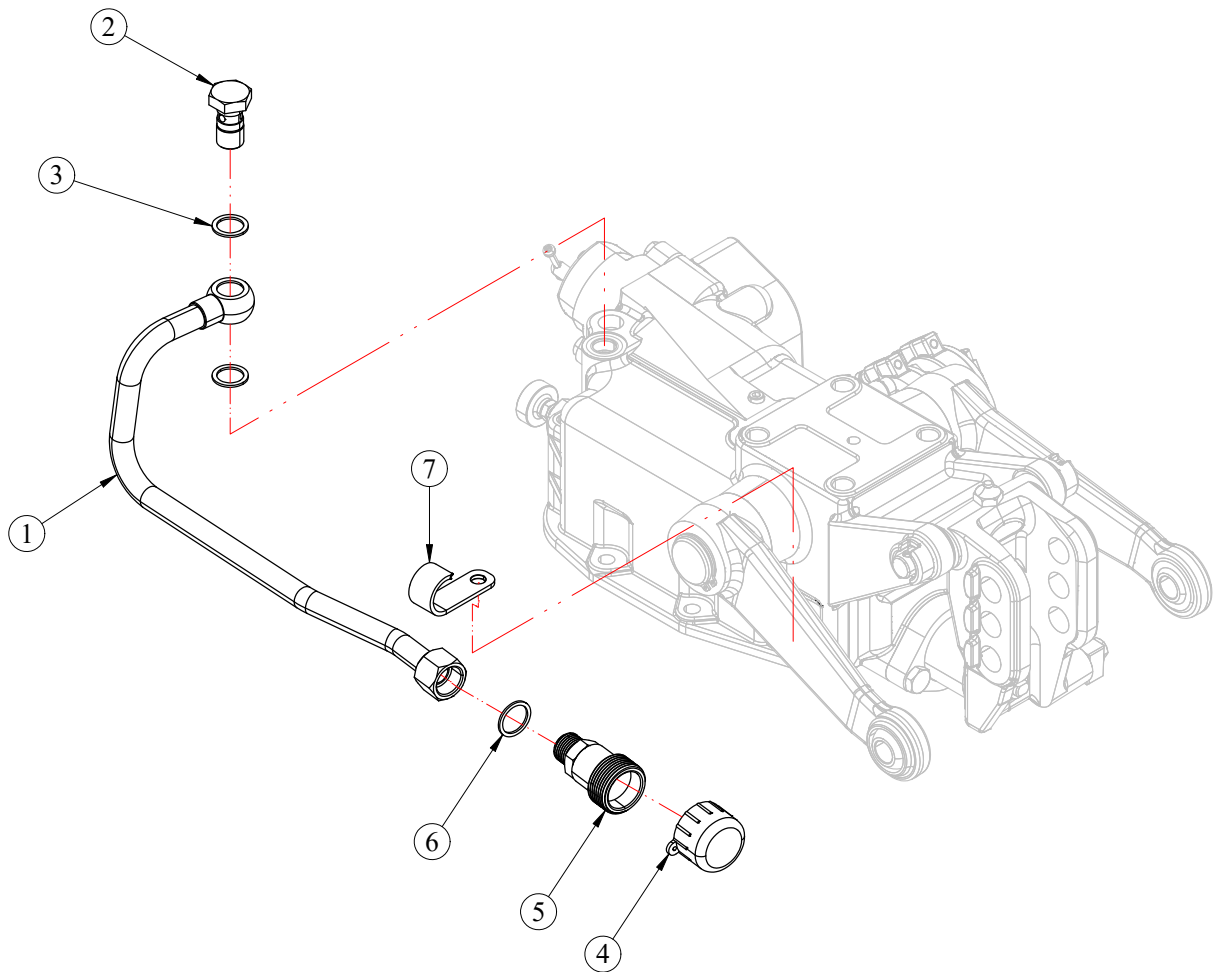
SR. NO.	PART NO.	DESCRIPTION	QTY.	REMARKS
1	11405877	PLATE	1	
2	11405878	FLANGE	1	
3	11405879	COVER	1	
4	11405880	TIE ROD	1	
5	11405881	SCREW	1	
6	11405882	SCREW M8x35 DIN 931-8G	1	
7	11405883	SCREW M10x35 DIN 931-8G	2	
8	11405884	NUT M10 8G	1	
9	11405885	NUT M12	1	
10	11405886	GROWER D=8.1 DIN7980-ZINC	1	
11	11405887	GROWER D10.2 DIN 7980	2	
12	11405888	SEEGER RS D7 DIN 6799	1	
13	11405889	PIN	1	
14	11405890	ELASTIC PIN	2	
15	11405891	SPRING D24x46 FIELD D7.5	1	
16	11405892	BRACKET	1	
17	11405893	BUSH D8/20x19	1	
18	11405894	BUSH D12.5/35x42.5	1	
19	11405895	LOCK NUT	1	
20	11405896	GREASE NIPPLE	1	
21	11405897	CRANK WITH PIN	1	
22	11405898	ELASTIC PIN D4x24	1	



CONTROL LEVERS ASSEMBLY

MODEL :- 223 , 223 NT, 223 EU
ASSEMBLY NO.:-11305578

SR. NO.	PART NO.	DESCRIPTION	QTY.	REMARKS
1	11405899	POSITION SHAFT	1	
2	11405900	O-RING	1	
3	11405901	DRAFT TUBE	1	
4	11405902	O-RING	1	
5	11405903	CLUB HUB	2	
6	11405904	CLUTCH 50/53x13.5	2	
7	11405905	LEVER	1	
8	11405906	FLANGE	1	
9	11405907	CONTROL LEVER	1	
10	11405908	SUPPORT	1	
11	11405909	VITE M8x70 SCREW	2	
12	11405910	GROWER d=8.1 DIN 7980 Zn GROWER	4	
13	11405911	VITE M6x40 UNI5971 Zn 8.8 SCREW	2	
14	11405912	MOLLA FRIZIONE SPRING	2	
15	11405913	VITE M8x30 UNI5971 Zn 8.8 SCREW	4	
16	11405914	INGR. DIRITTO M10x1 FITTING	1	
17	11405915	O-RING	1	
18	11405916	PLAN WASHER	1	
19	11405917	RADIAL CIRCLIP 6MM	2	
20	11405918	SEEGER E12	2	
21	11405919	WASHER	1	
22	11405920	BUSH	2	

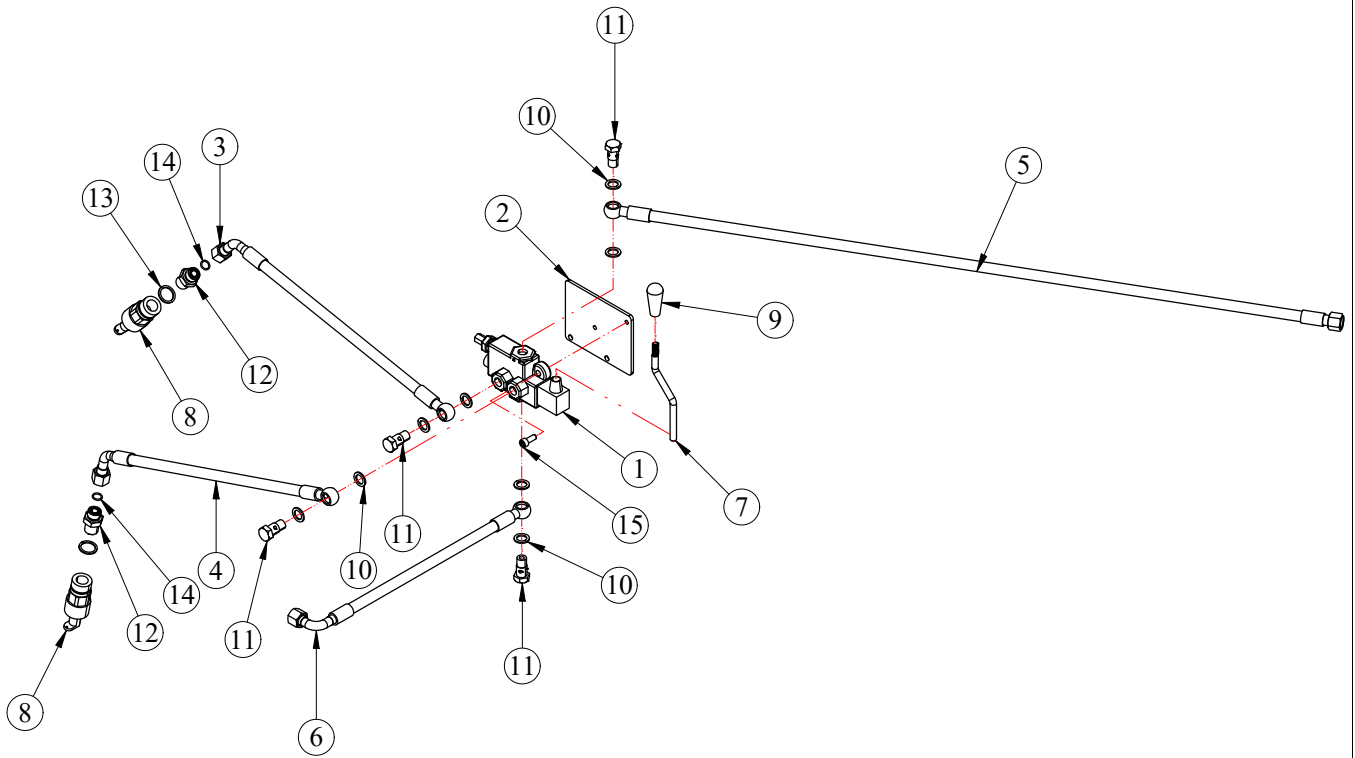


TRAILER PIPE ASSEMBLY

MODEL :- 223,223 NT,223 EU

ASSEMBLY NO. :- 11305718

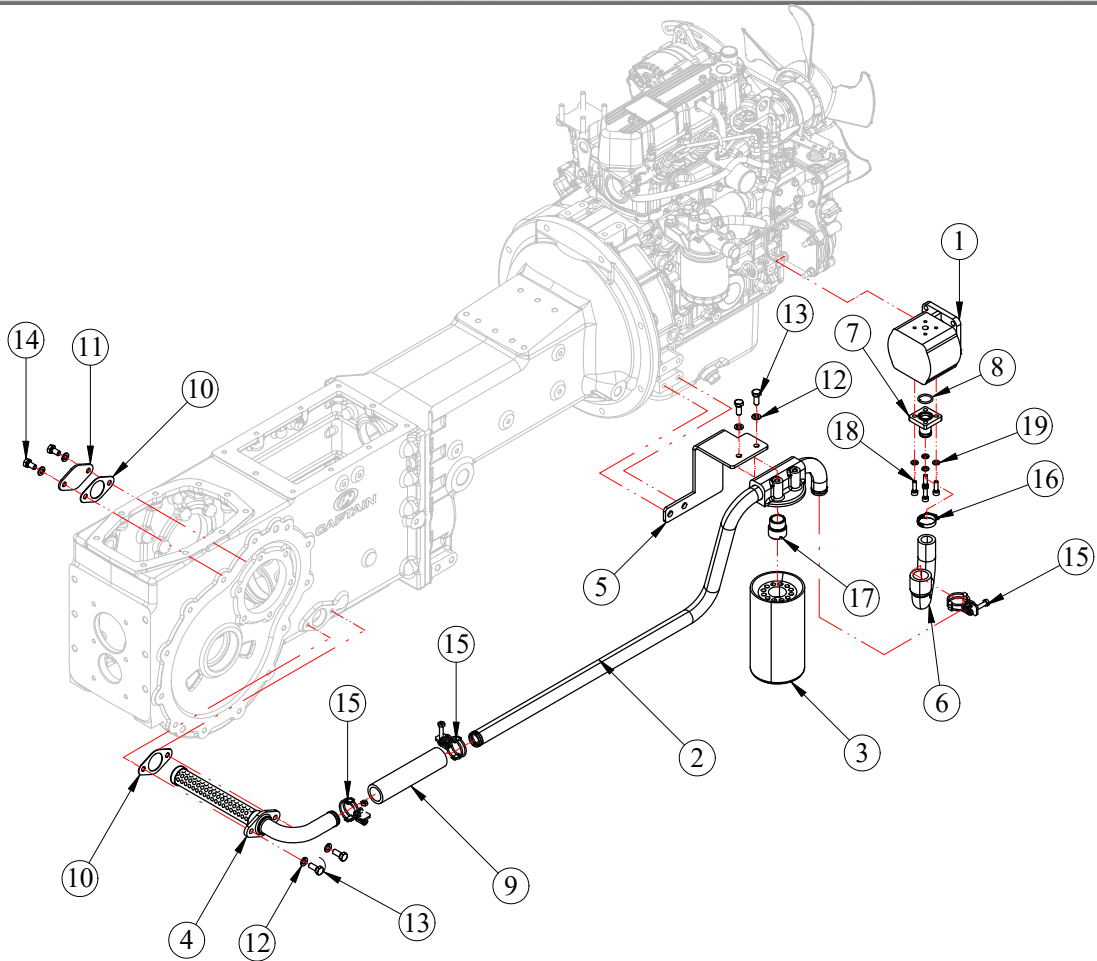
SR. NO.	PART NO.	DESCRIPTION	QTY.	REMARKS
1	11202807	TRAILER PIPE (3+1)	1	
2	11202994	BANJO BOLT M18 X 1.5P	1	
3	11502338	COPPER WASHER Ø18XØ24X1.5	2	
4	11200433	DUST CAP	1	
5	11200432	MALE FEMALE VALVE	1	
6	11500430	COPPER WASHER Ø21XØ26X1.5	1	
7	11202808	BRACKET, TRAILER PIPE (3+1)	1	



DIRECTION CONTROL VALVE ASSEMBLY

MODEL :- 223 EU
ASSEMBLY NO. :- 11305555

SR. NO.	PART NO.	DESCRIPTION	QTY.	REMARKS
1	11202328	HYDRAULIC DISTRIBUTOR VALVE (RETAIN TYPE)	1	
2	11205353	DCV MOUNTING BRACKET	1	
3	11205273	PIPE(DCV TO QRC-1)	1	
4	11205324	PIPE(DCV TO QRC-2)	1	
5	11205274	SECONDARY PIPE PUMP TO DCV	1	
6	11205275	PIPE FROM DCV TO LIFT	1	
7	11205529	LEVER DISTRIBUTOR VALVE 1	1	
8	11202334	FEMALE QRC	2	
9	11205542	KNOB LEVER FOR DCV	1	
10	11402783	DOWTY SEAL 3/8	8	
11	11502336	BANJO BOLT 3/8	4	
12	11205327	NIPPLE 1/2" BSP X 13/16" UN	2	
13	21504542	DOWTY SEAL 1/2	2	
14	11205329	O-RING 12.42X1.78	2	
15	11500599	ALLEN BOLT M8x20 (F.T)	2	

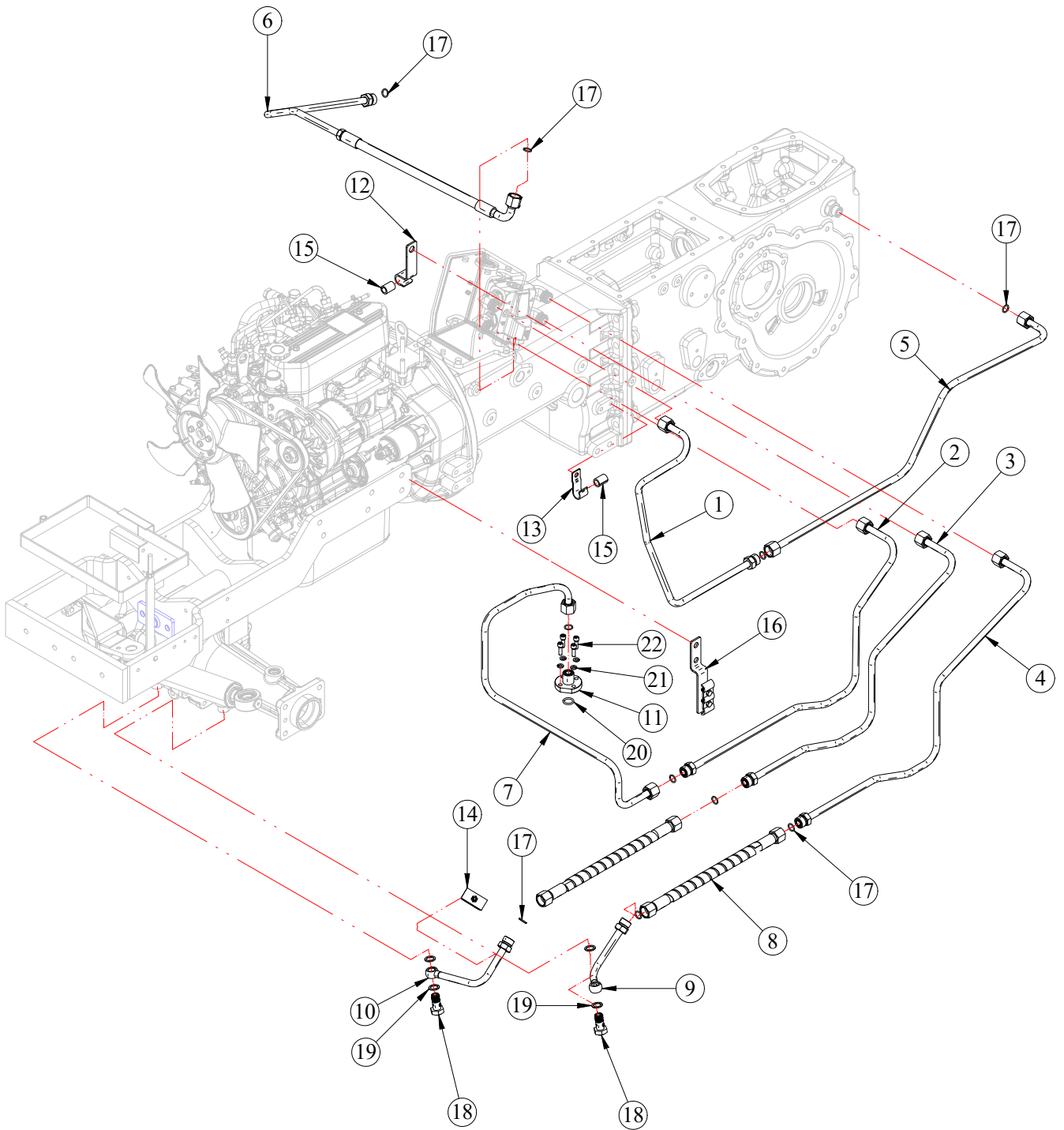


HYDRAULIC PUMP & PIPE ASSEMBLY-1

MODEL :- 223,223 NT,223 EU

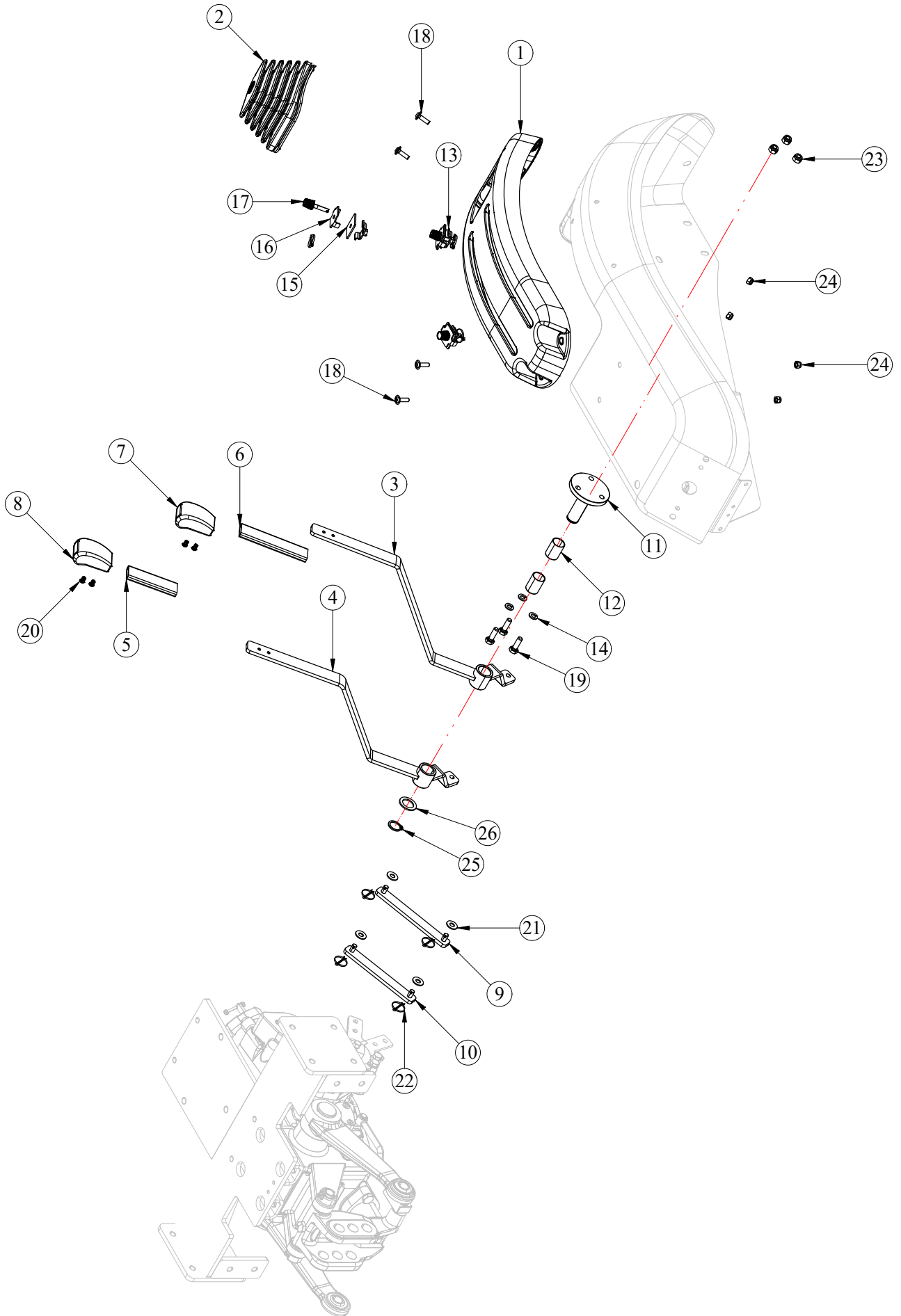
ASSEMBLY NO. :- 11307647

SR. NO.	PART NO.	DESCRIPTION	QTY.	REMARKS
1	11402455	GEAR PUMP HYDRAULIC (ACW)	1	
2	11205696	SUCTION FILTER HEAD	1	
3	11405481	SUCTION FILTER ASSY	1	
4	11205153	STRAINER FILTER	1	
5	11205695	BRACKET - OIL FILTER	1	
6	11205694	SUCTION HOSE - OIL FILTER TO PUMP	1	
7	11205160	PUMP CONECTION (HYD)	1	
8	11500415	O-RING Ø20 x Ø2.5	1	
9	11205155	SUCTION HOSE (150mm)	1	
10	11201481	GASKET, STRAINER FILTER	2	
11	11205205	SEALING FLANGE STRAINER FILTER	1	
12	11500052	SPRING WASHER - 8mm	6	
13	11500067	HEX. BOLT M8X20 (F.T)	4	
14	11500076	HEX BOLT M8 x 16	2	
15	11206996	Wire Clamp Ø28 - Ø35	3	
16	11201445	CLAMP 25mm (IS: 4762)	1	
17	11205621	NIPPLE SUCTION FILTER HEAD	1	
18	11500881	ALLEN BOLT M6x20 (F.T.)	4	
19	11500073	SPRING WASHER - 6 mm	4	



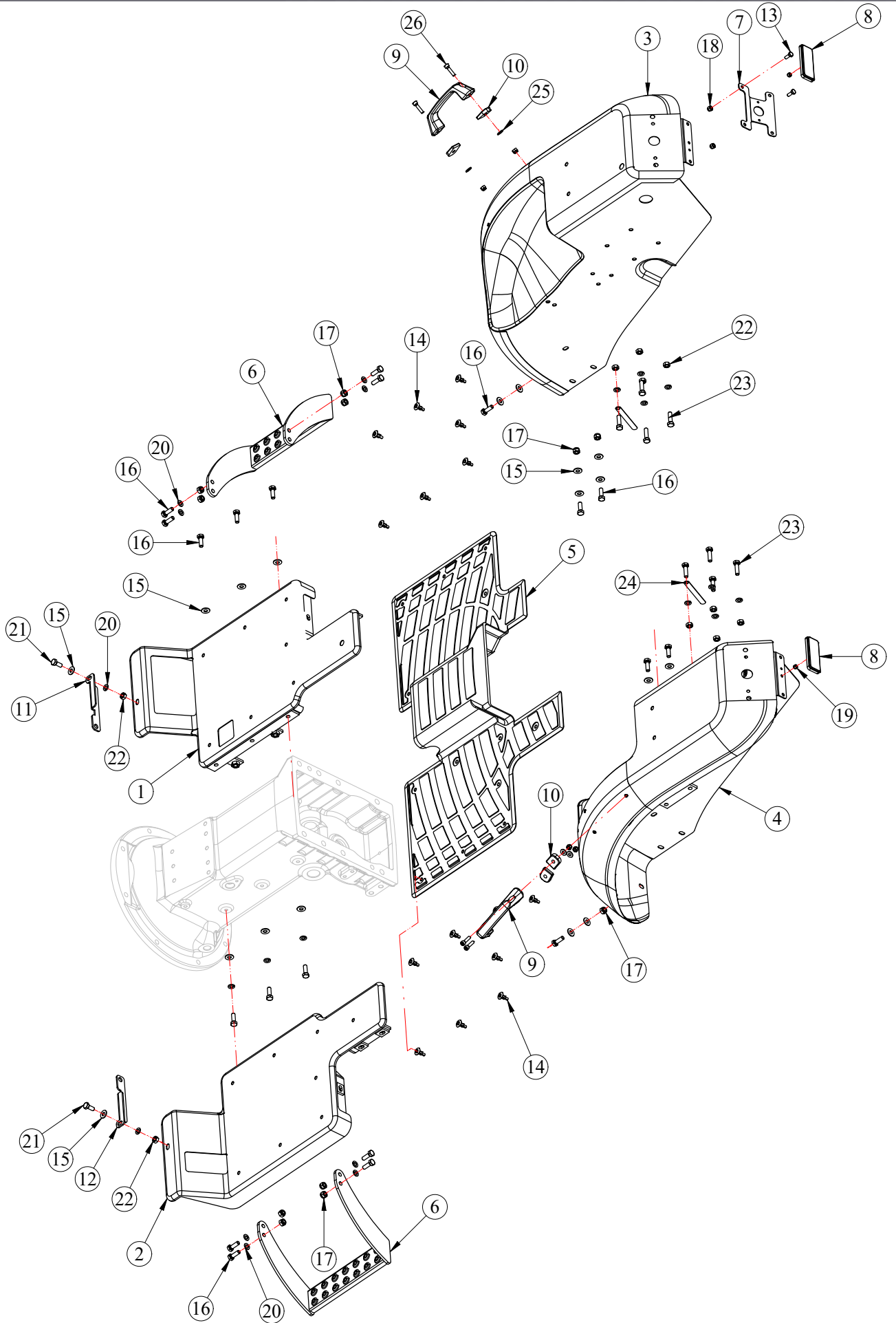
HYDRAULIC PUMP & PIPE ASSEMBLY-2
MODEL :- 223 EU
ASSEMBLY NO. :- 11307648

SR. NO.	PART NO.	DESCRIPTION	QTY.	REMARKS
1	11206402	PRIMARY PIPE STEERING TO REAR TRANSMISSION	1	
2	11206403	SECONDARY PIPE PUMP TO STEERING	1	
3	11206399	PRIMARY STEERING PIPE R	1	
4	11206398	PRIMARY STEERING PIPE L	1	
5	11205238	SECONDARY PIPE STEERING TO REAR TRANSMISSION	1	
6	11206401	PRIMARY DELIVERY PIPE	1	
7	11206400	PRIMARY PIPE PUMP TO STEERING	1	
8	11205246	FLEXIBLE STEERING PIPE	2	
9	11205244	SECONDARY STEERING PIPE - L	1	
10	11205245	SECONDARY STEERING PIPE - R	1	
11	11205697	PUMP CONNECTION 13/16" UN (L-30.5)	1	
12	11206405	CLAMP FOR SECONDARY DELIVERY PIPE	1	
13	11205242	CLAMP_UNBEND	1	
14	11202293	CLAMP FOR PS PIPE	1	
15	11205523	RUBBER PROTECTION - PIPE Ø12	2	
16	11206404	CLAMP FOR POWER STEERING PIPES	1	
17	11205329	O-RING 12.42X1.78	10	
18	11205286	BANJO BOLT 9/16" - 18 UNF 2A L-30	2	
19	11205317	COPPER WASHER Ø14.5XØ20X1.5	4	
20	11504882	O-RING Ø15.54 x 2.62	1	
21	11500073	SPRING WASHER - 6 mm	4	
22	11500881	ALLEN BOLT M6x20 (F.T.)	4	



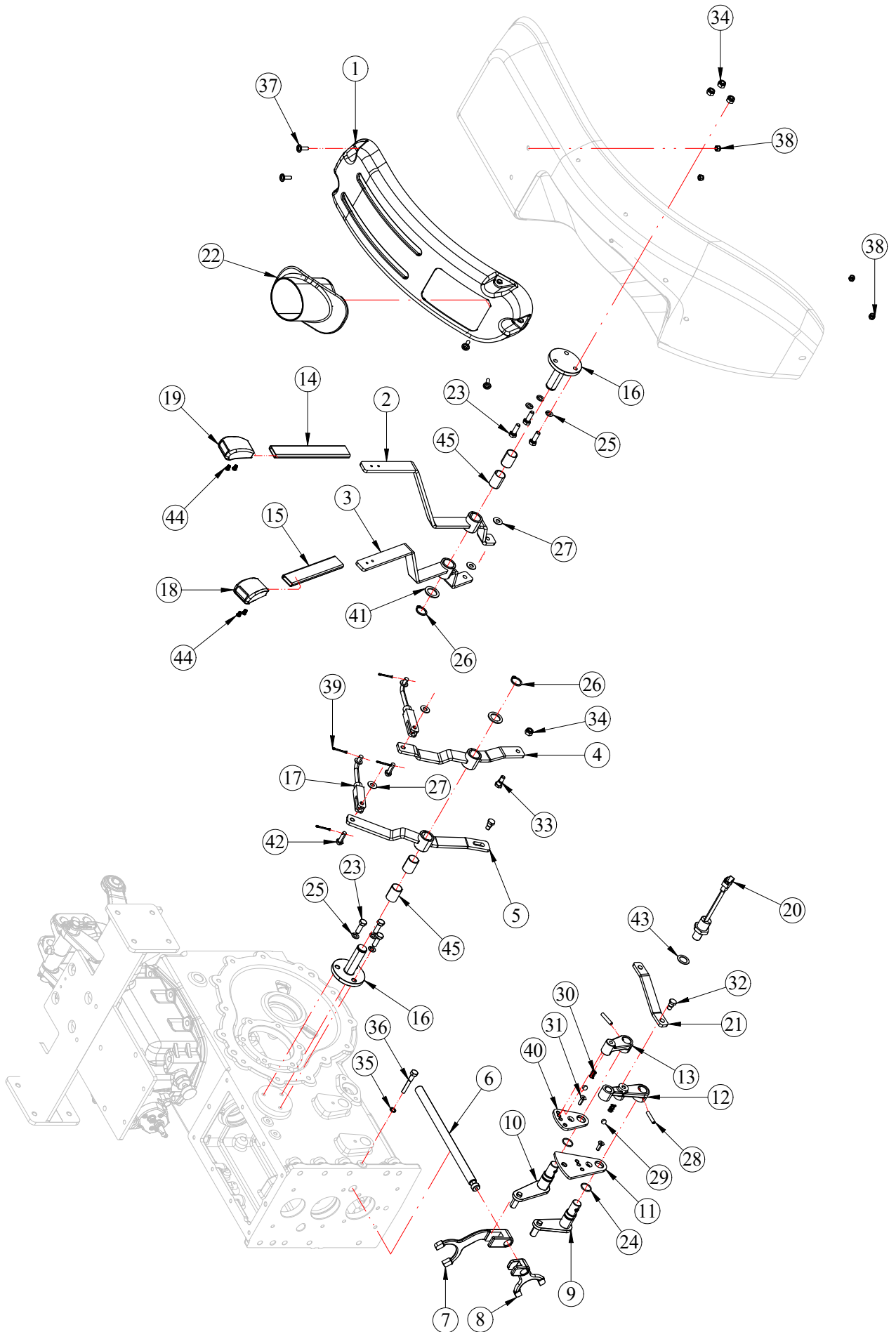
PC DC LEVER ASSEMBLY
MODEL :- 223 EU
ASSEMBLY NO. :- 11307632

SR. NO.	PART NO.	DESCRIPTION	QTY.	REMARKS
1	11205762	FENDER COVER - RH	1	
2	11205428	RUBBER BOOT	1	
3	11205222	LEVER - POSITION CONTROL	1	
4	11205223	LEVER - DRAFT CONTROL	1	
5	11204696	COVER DC PLASTIC	1	
6	11204698	COVER PC PLASTIC	1	
7	11203152	KNOB PC	1	
8	11203153	KNOB DC	1	
9	11205767	LINK - PC RH	1	
10	11205768	LINK DC RH	1	
11	11203110	LEVER,GUIDE	1	
12	11203195	BUSH, LEVER IGUS (Ø20 x Ø22 x 30)	2	
13	11205433	PLATE STOPPER PC-DC (BOTTOM)	3	
14	11500052	SPRING WASHER - 8mm	3	
15	11205431	PAD RUBBER SPACER PC-DC	3	
16	11205432	PLATE STOPPER PC-DC (TOP)	3	
17	11205434	KNOB STOPPER PC-DC	3	
18	11502174	M6 X 20 ROUND HEAD SCREW WITH COLLAR	4	
19	11500051	HEX. BOLT M8 X 25 (F.T.)	3	
20	11503131	PAN HEAD SCREW M5X8	4	
21	11501068	PLAIN WASHER Ø8.5XØ19X1.5	4	
22	11500619	SPLIT PIN 3/32" x 1"	7	
23	11500520	NYLOCK HEX NUT M8	3	
24	11500947	NYLOCK NUT M6	4	
25	11503297	CIRCLIP,EXTERNAL Ø20x1.75	1	
26	11203206	PLAIN WASHER Ø20.3xØ30x2	1	



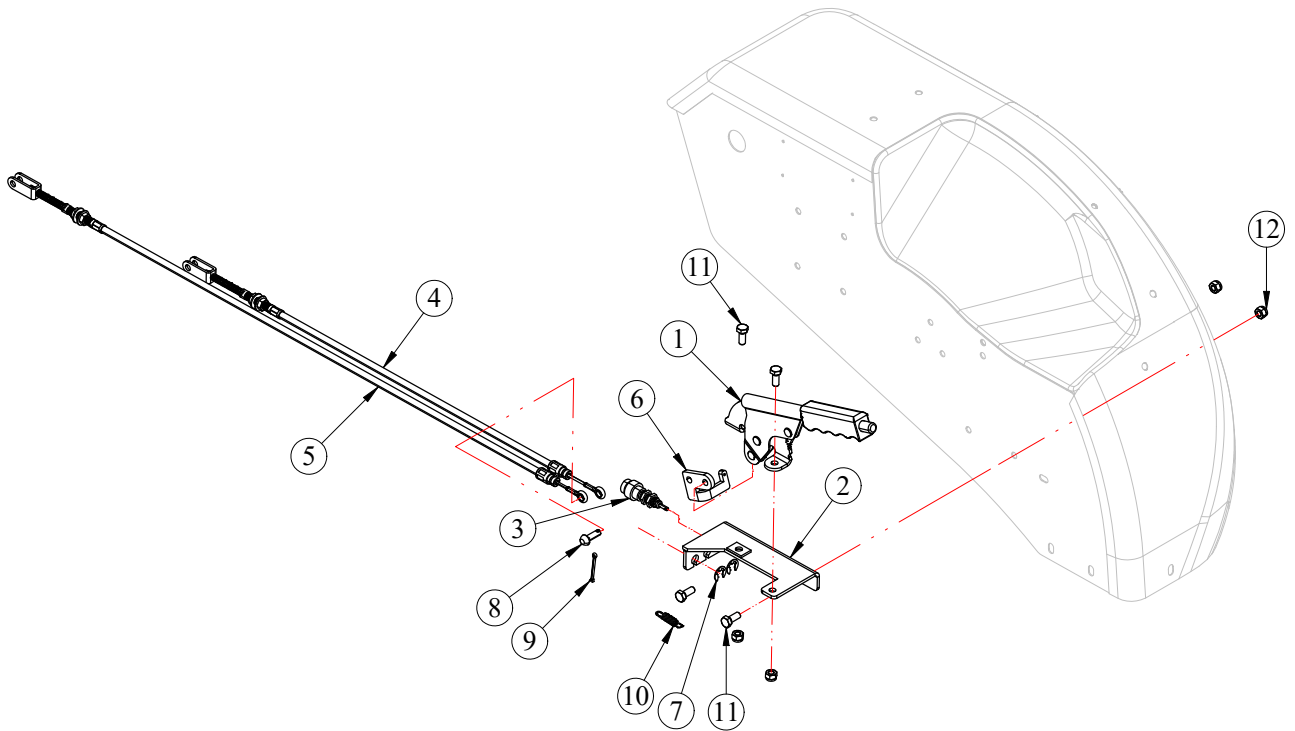
FENDER & FOOTREST ASSY
MODEL :- 223 EU
ASSEMBLY NO. :- 11307692

SR. NO.	PART NO.	DESCRIPTION	QTY.	REMARKS
1	11206419	FOOT REST - RH	1	
2	11205215	FOOT REST - LH	1	
3	11205761	FENDER RH	1	
4	11202803	FENDER LH	1	
5	11205426	FLOOR RUBBER MAT BIG	1	
6	11205019	FOOT STEP	2	
7	11205150	BRACKET-NUMBER PLATE	1	
8	11405161	REFLEX REFLECTOR	2	
9	11202086	HANDLE GRIP, FENDER	2	
10	11202080	RUBBER DAMPER, HANDLE	4	
11	11205217	SUPPORT - FOOTREST RH	1	
12	11205216	SUPPORT - FOOTREST LH	1	
13	11500071	HEX. BOLT M6x15 (F.T.)8.8	2	
14	11205711	PUSH RIVET 8mm	15	
15	11501068	PLAIN WASHER Ø8.5XØ19X1.5	20	
16	11500051	HEX. BOLT M8 X 25 (F.T.)	20	
17	11500520	NYLOCK HEX NUT M8	14	
18	11500947	NYLOCK NUT M6	6	
19	11500931	NYLOCK HEX. NUT M5	2	
20	11500052	SPRING WASHER - 8mm	24	
21	11500067	HEX. BOLT M8X20 (F.T)	2	
22	11500082	HEX NUT M8	10	
23	11500580	HEX BOLT M8x30 (F.T) [8.8]	8	
24	11205377	CLIP FOR WIRING HARNESS	2	
25	11501015	PLAIN WASHER Ø6.5xØ15x1.5	4	
26	11504743	ALLEN BOLT M6X25 (F.T)	4	



HML PTO LEVER ASSEMBLY
MODEL :- 223 EU
ASSEMBLY NO. :- 11307693

SR. NO.	PART NO.	DESCRIPTION	QTY.	REMARKS
1	11202999	FENDER COVER LH	1	
2	11205771	LEVER PTO	1	
3	11205772	LEVER - HML	1	
4	11205769	LINK PTO	1	
5	11205770	LINK - HML	1	
6	11202508	SHAFT, FROK PTO	1	
7	11202353	FORK, H-M-L	1	
8	11202352	FORK-PTO	1	
9	11203103	SHIFTER PTO	1	
10	11203104	SHIFTER H-M-L	1	
11	11205218	PLATE - PTO LOCKING	1	
12	11205219	SHIFTER - POSITION LEVER	1	
13	11203107	SHIFTER, POSITION LEVER	1	
14	11204699	COVER PTO PLASTIC	1	
15	11204697	COVER H-M-L PLASTIC	1	
16	11203110	LEVER,GUIDE	2	
17	11204926	LINK (PTO & HML)	2	
18	11202995	KNOB H-M-L	1	
19	11202996	KNOB PTO	1	
20	11402494	NEUTRAL SAFETY SWITCH	1	
21	11202404	LINK, PTO BOTTOM	1	
22	11205774	POCKET - FENDER COVER LH	1	
23	11500051	HEX. BOLT M8 X 25 (F.T.)	6	
24	11504884	O-RING Ø18.77 x 1.78	2	
25	11500052	SPRING WASHER - 8mm	6	
26	11503297	CIRCLIP,EXTERNAL Ø20x1.75	2	
27	11501068	PLAIN WASHER Ø8.5XØ19X1.5	4	
28	11502531	SLOTTED SPRING PIN Ø6X30	2	
29	11500089	BALL - Ø3/8"	2	
30	11203109	SPRING L-15.6	2	
31	11502175	CSK BOLT M6 X 15	2	
32	11205004	SPECIAL BOLT, SHIFTER LINKAGE	2	
33	11202405	SPECIAL BOLT, LINK P.T.O. BOTTOM	1	
34	11500520	NYLOCK HEX NUT M8	4	
35	11500112	COPPER WASHER Ø8XØ12X1	1	
36	11202806	SPECIAL BOLT RAIL SHAFT LOCKING	1	
37	11502174	M6 X 20 ROUND HEAD SCREW WITH COLLAR	4	
38	11500947	NYLOCK NUT M6	4	
39	11500619	SPLIT PIN 3/32" x 1"	4	
40	11203106	PLATE, H-M-L LOCKING	1	
41	11203206	PLAIN WASHER Ø20.3xØ30x2	2	
42	11200066	PIN CLUTCH	2	
43	11500427	COPPER WASHER Ø16.5xØ25x1	1	
44	11503131	PAN HEAD SCREW M5X8	4	
45	11203195	BUSH, LEVER IGUS (Ø20 x Ø22 x 30)	4	

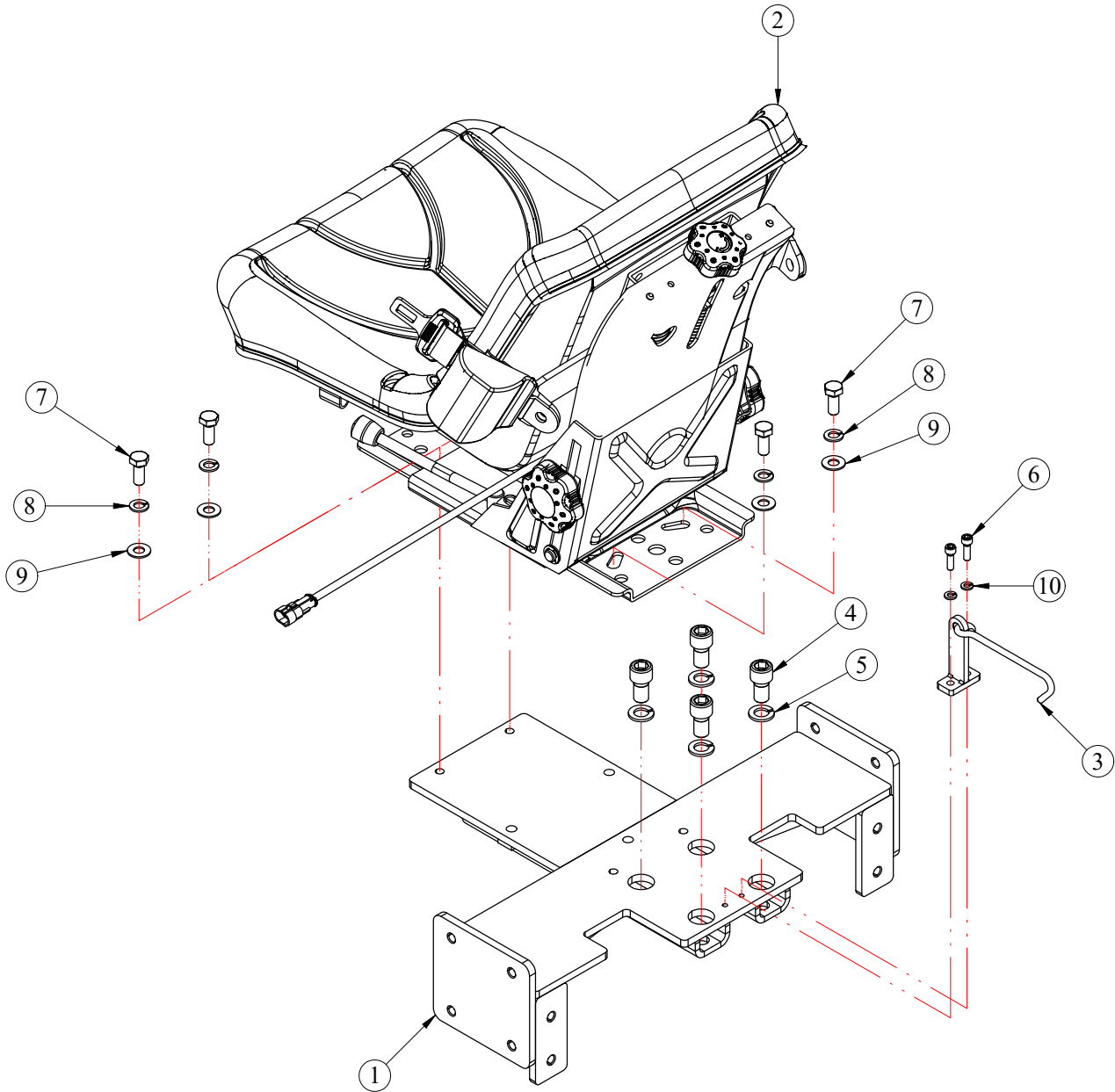


PARKING BRAKE ASSY

MODEL :- 223 EU

ASSEMBLY NO. :- 11307694

SR. NO.	PART NO.	DESCRIPTION	QTY.	REMARKS
1	11402794	PARKING BRAKE	1	
2	11205765	BRACKET - HAND BRAKE LH	1	
3	11401998	ASSEMBLY BRAKE SWITCH	1	
4	11205276	CABLE HAND BRAKE SMALL	1	
5	11205277	CABLE HAND BRAKE BIG	1	
6	11205766	FLAP - PARKING BRAKE LH	1	
7	11503026	EXTERNAL CIRCLIP ID 10	2	
8	11200066	PIN CLUTCH	1	
9	11500357	SPLIT PIN 1/8" x 1.1/2"	1	
10	11201530	SPRING ACCELERATOR LEVER	1	
11	11500067	HEX. BOLT M8X20 (F.T)	4	
12	11500520	NYLOCK HEX NUT M8	4	

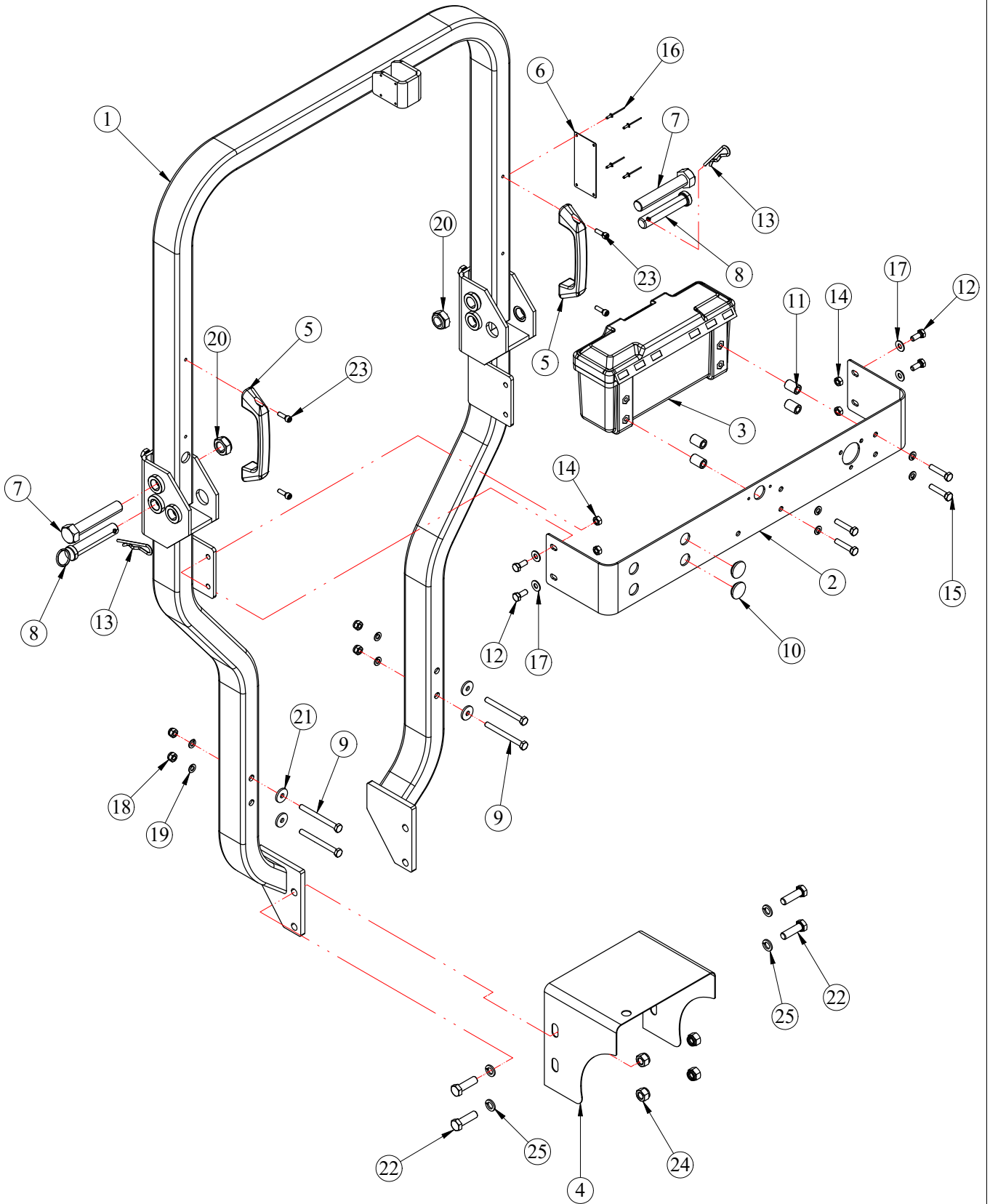


FENDER BRACKET & SEAT ASSEMBLY

MODEL :- 223 EU

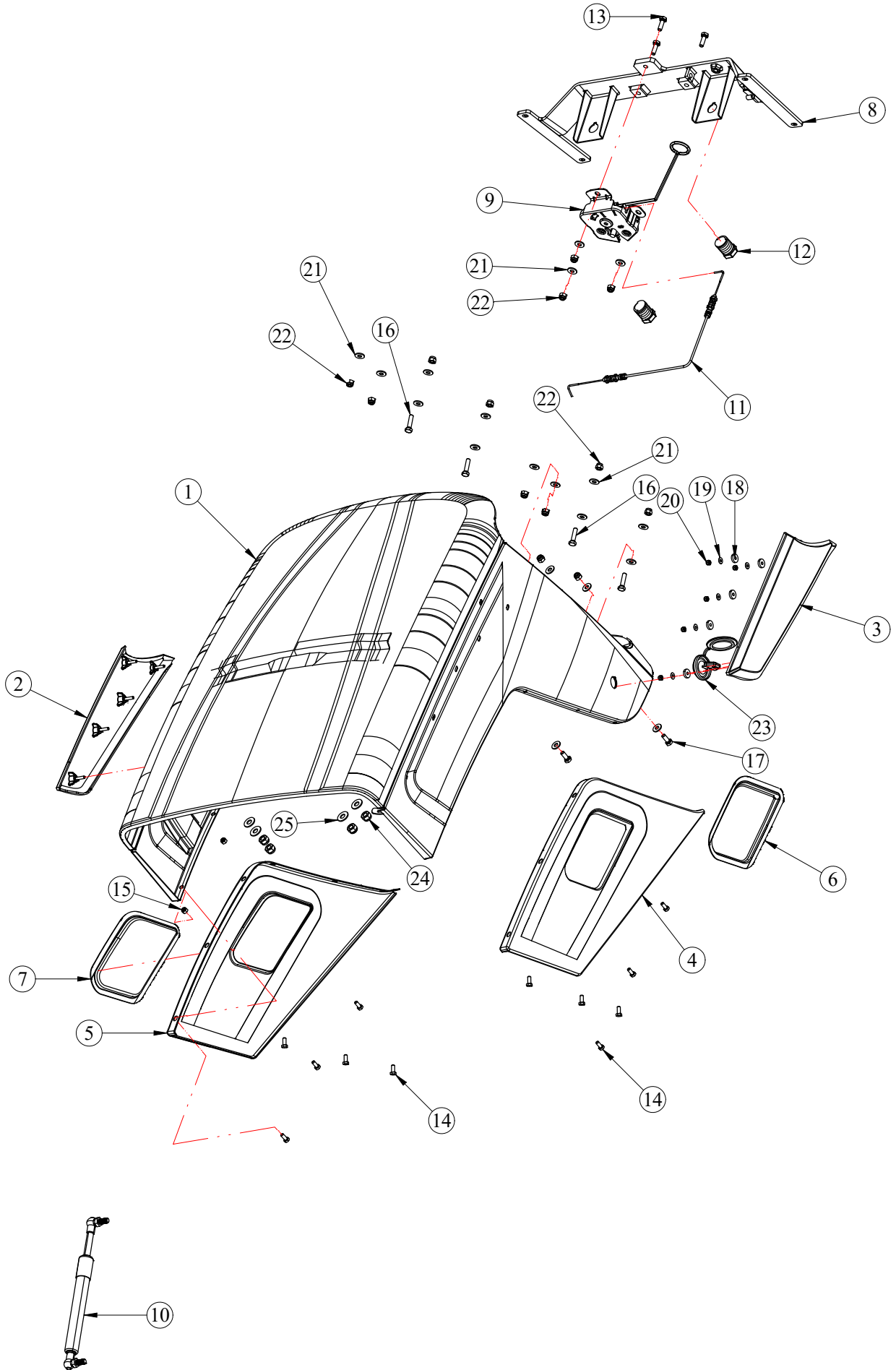
ASSEMBLY NO. :- 11307695

SR. NO.	PART NO.	DESCRIPTION	QTY.	REMARKS
1	11207337	BRACKET FENDER MOUNTING (492)	1	
2	11402505	SEAT (ST GC05)	1	
3	11205622	TOP LINK HOLDER	1	
4	11505404	ALLEN BOLT M14x25 (F.T.)	4	
5	11501826	SPRING WASHER - 14mm	4	
6	11500881	ALLEN BOLT M6x20 (F.T.)	2	
7	11500156	HEX. BOLT M10X25 (F.T.)	4	
8	11500062	SPRING WASHER - 10mm	4	
9	11500078	PLAIN WASHER Ø10.5xØ22x1.5	4	
10	11500073	SPRING WASHER - 6 mm	2	



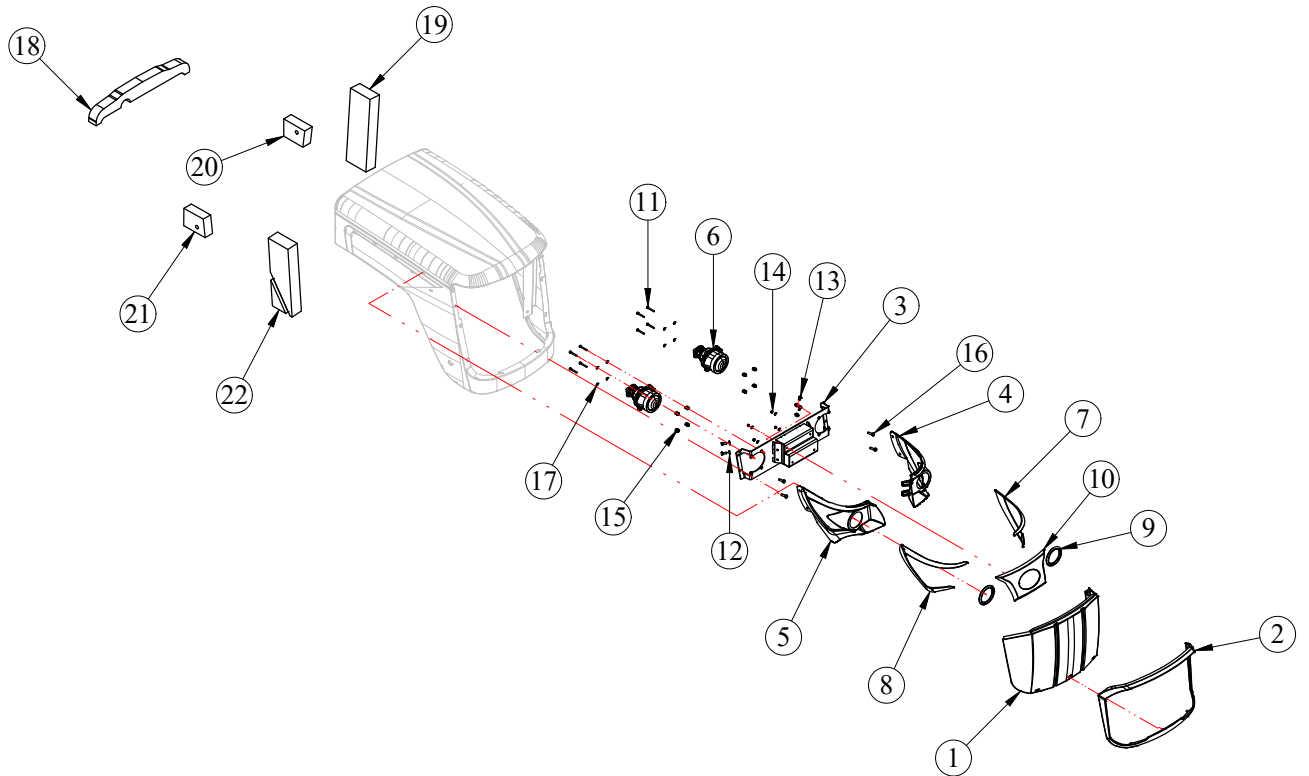
ROPS ASSEMBLY
MODEL :- 223 EU
ASSEMBLY NO. :- 11305592

SR. NO.	PART NO.	DESCRIPTION	QTY.	REMARKS
1	11305017	ROPS (263)	1	
2	11204705	PLATE, QRC (273)	1	
3	11402998	TOOL BOX ASSEMBLY	1	
4	11205351	POWER TAKE OFF MASTER SHIELD	1	
5	11202086	HANDLE GRIP, FENDER	2	
6	11205298	IDENTIFICATION PLATE ROPS (00070U5S)	1	
7	11505106	SPECIAL BOLT - ROPS	2	
8	11202236	HITCH PIN, ROPS	2	
9	11505394	HEX. BOLT M8 X 85 (10.9)	4	
10	11202308	RUBBER SEAL BOTTOM, GUARD	2	
11	11205430	SPACER (Ø9xØ16x24)	4	
12	11500067	HEX. BOLT M8X20 (F.T)	4	
13	11202237	CLIP PIN, Ø4	2	
14	11500082	HEX NUT M8	4	
15	11500809	HEX. BOLT M8x40 (F.T.) 8.8	4	
16	11501460	BLIND ALLUMINIUM RIVET Ø0.125"x0.422"	4	
17	11501068	PLAIN WASHER Ø8.5XØ19X1.5	4	
18	11500520	NYLOCK HEX NUT M8	4	
19	11500052	SPRING WASHER - 8mm	8	
20	11500160	NYLOCK HEX. NUT 3/4" UNF (16 TPI)	2	
21	11500712	PLAIN WASHER Ø8xØ25x3	4	
22	11501772	HEX. BOLT M12x40 (H.T.)- GRADE- 10.9	4	
23	11500881	ALLEN BOLT M6x20 (F.T.)	4	
24	11501024	NYLOCK HEX. NUT M12	4	
25	11500118	SPRING WASHER 12 mm	4	



BONNET & FRONT MESH ASSEMBLY 1
MODEL :- 223 EU
ASSEMBLY NO. :- 11305547

SR. NO.	PART NO.	DESCRIPTION	QTY.	REMARKS
1	11205184	BONNET-8G	1	
2	11205192	BRAND PANEL BONNET LH	1	
3	11205193	BRAND PANEL BONNET RH	1	
4	11205194	BONNET SIDE RH	1	
5	11205195	BONNET SIDE LH	1	
6	11205196	BONNET SIDE GRILL RH	1	
7	11205197	BONNET SIDE GRILL LH	1	
8	11204996	BRACKET LOCK MOUTING	1	
9	11405011	LATCH COMP HOOD	1	
10	11203214	AUTO LIFT GAS SPRINGS	1	
11	11405012	CABLE LATCH COMP HOOD	1	
12	11202147	RUBBER GROMET BONNET TOP	2	
13	11500426	HEX. BOLT M6x20 (F.T.)8.8	3	
14	11501034	HEX. BOLT M5x12 (F.T.) 8.8	12	
15	11500931	NYLOCK HEX. NUT M5	12	
16	11500195	HEX. BOLT M6x25 (F.T.)8.8	4	
17	11500071	HEX. BOLT M6x15 (F.T.)8.8	2	
18	11505200	RUBBER WASHER Ø4.5xØ14x3	10	
19	11503166	PLAIN WASHER Ø4 x Ø10 x 0.5	10	
20	11505137	NYLOCK HEX. NUT M4	10	
21	11501015	PLAIN WASHER Ø6.5xØ15x1.5	19	
22	11500947	NYLOCK NUT M6	13	
23	11404800	LOCK BONNET WITH KEY (273)	1	
24	11500520	NYLOCK HEX NUT M8	4	
25	11501068	PLAIN WASHER Ø8.5XØ19X1.5	4	

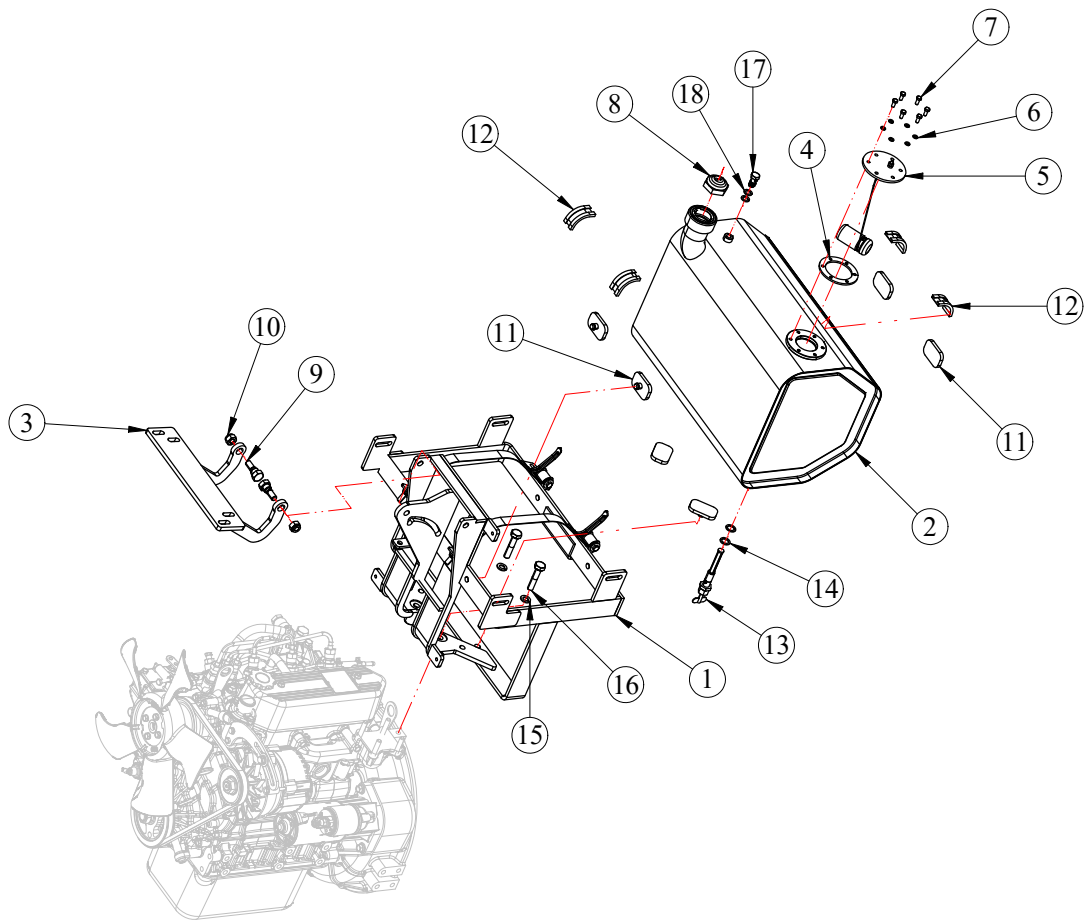


BONNET & FRONT MESH ASSEMBLY 2

MODEL :- 223,223 NT,223 EU

ASSEMBLY NO. :- 11307653

SR. NO.	PART NO.	DESCRIPTION	QTY.	REMARKS
1	11205187	FRONT GRILL - 8G	1	
2	11205188	BORDER FRONT GRILL	1	
3	11205185	BRACKET HEAD LIGHT ASSEMBLY	1	
4	11205190	HEAD LAMP COVER LH	1	
5	11205191	HEAD LAMP COVER RH	1	
6	11405010	M60 LOW BEAM	2	
7	11205396	BORDER HEAD LAMP COVER LH	1	
8	11205397	BORDER HEAD LAMP COVER RH	1	
9	11205267	RING HAND LAMP COVER	2	
10	11205186	LOGO PANEL	1	
11	11505201	SCREW M4 x 35	8	
12	11501015	PLAIN WASHER Ø6.5xØ15x1.5	4	
13	11500071	HEX. BOLT M6x15 (F.T.)8.8	4	
14	11505137	NYLOCK HEX. NUT M4	4	
15	11205199	SPRING HEAD LIGHT	8	
16	11500195	HEX. BOLT M6x25 (F.T.)8.8	4	
17	11503166	PLAIN WASHER Ø4 x Ø10 x 0.5	12	
18	11205948	FOAM - RADIATOR TOP SEALING	1	
19	11205949	FOAM - RADIATOR LH SIDE SEALING (BIG)	1	
20	11205951	FOAM - RADIATOR LH SIDE SEALING (SMALL)	1	
21	11205952	FOAM - RADIATOR RH SIDE SEALING (SMALL)	1	
22	11205950	FOAM - RADIATOR RH SIDE SEALING	1	

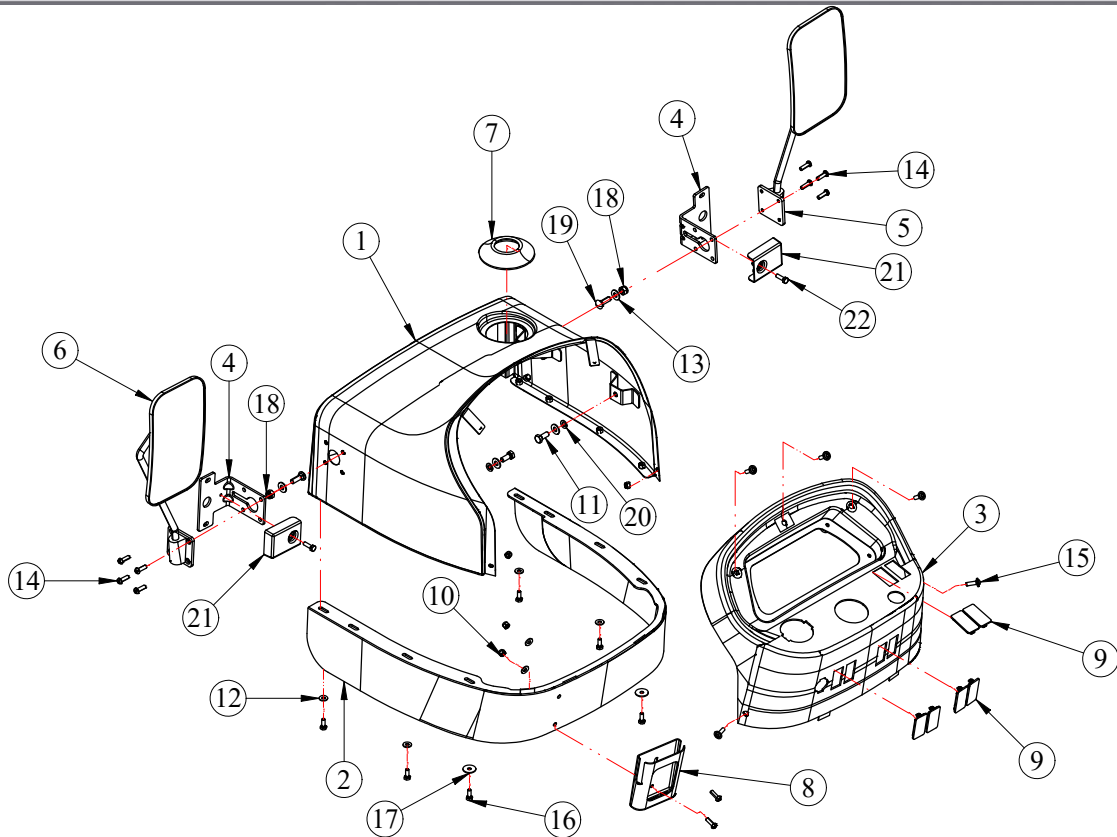


FUEL TANK ASSEMBLY

MODEL :- 223,223 NT,223 EU

ASSEMBLY NO. :- 11307640

SR. NO.	PART NO.	DESCRIPTION	QTY.	REMARKS
1	11205699	CAGE - FUEL TANK	1	
2	11205366	FUEL TANK (239)	1	
3	11205294	HINGE, BONNET	1	
4	11201033	GASKET FUEL GAUGE	1	
5	11401032	FUEL TANK UNIT	1	
6	11501207	SPRING WASHER 5 mm	6	
7	11501034	HEX. BOLT M5x12 (F.T.) 8.8	6	
8	11201983	FUEL TANK CAP (WITH LOCK & KEY)	1	
9	11204757	SPECIAL BOLT, HINGE MOUTING	2	
10	11500676	NYLOCK NUT M10	2	
11	11204845	RUBBER PAD, FUEL TANK CAGE	6	
12	11200857	RUBBER PIECES FOR FUEL TANK CLAMP	4	
13	11201854	COCK FUEL (WITH FILTER)	1	
14	11500783	COPPER WASHER Ø13xØ18x1.5	2	
15	11500062	SPRING WASHER - 10mm	2	
16	11505946	HEX BOLT M10x1.25x50	2	
17	11501846	BANJO BOLT M10	1	
18	11500654	COPPER WASHER 10mm (15x10x1.5)	2	

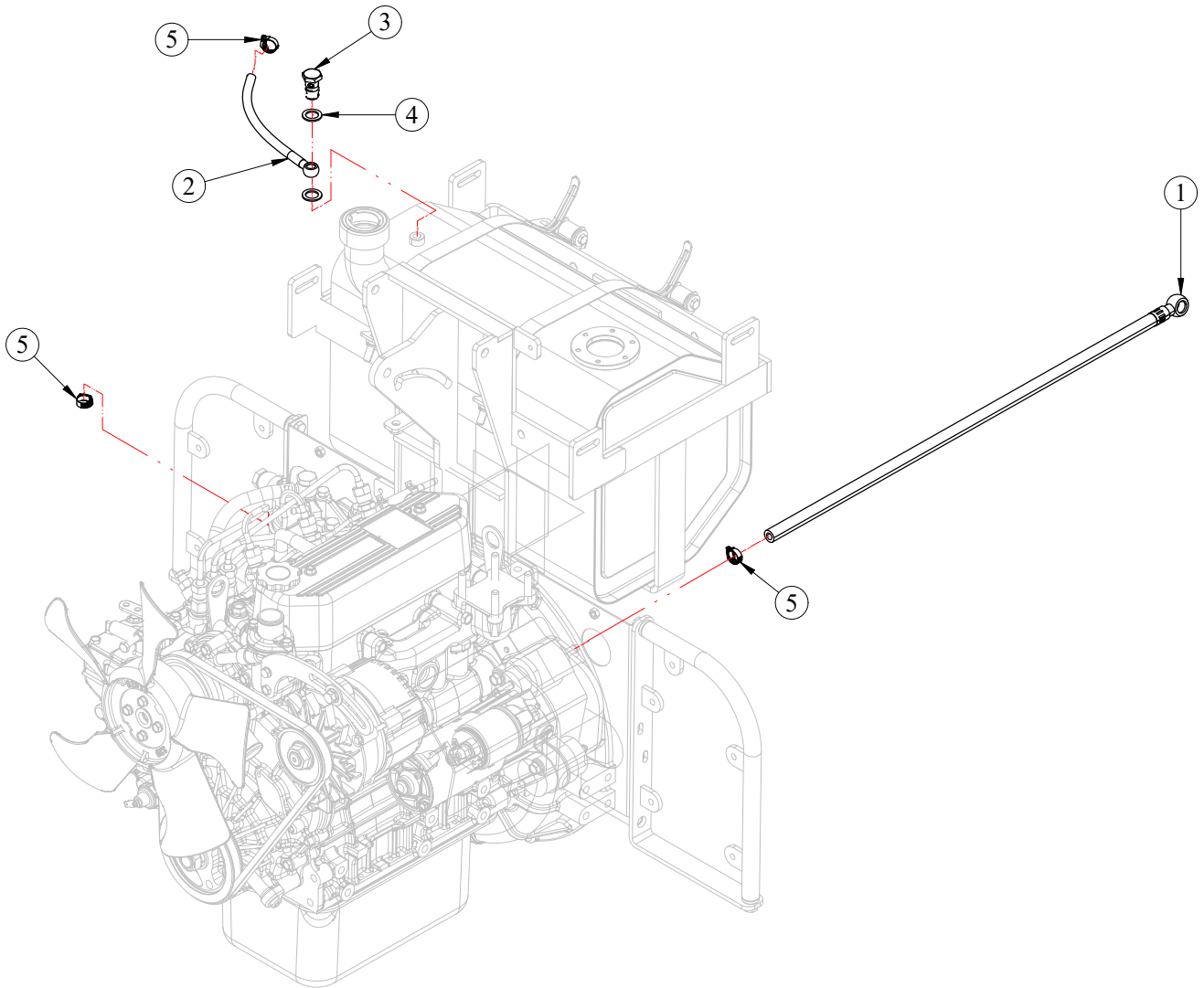


DASH BOARD ASSEMBLY

MODEL :- 223 EU

ASSEMBLY NO. :- 11305553

SR. NO.	PART NO.	DESCRIPTION	QTY.	REMARKS
1	11205445	DASHBOARD 263	1	
2	11205127	SKIRT PANEL LONG	1	
3	11205126	INSTRUMENT PANEL	1	
4	11207055	BRACKET FRONT LIGHT	2	
5	11201979	MIRROR ASSEMBLY, RH	1	
6	11202219	MIRROR ASSEMBLY, LH	1	
7	11205665	RUBBER COVER FUEL TANK	1	
8	11201997	MOBILE POCKET	1	
9	11405027	DUMMY SWITCH PLUG	6	
10	11500947	NYLOCK NUT M6	4	
11	11500067	HEX. BOLT M8X20 (F.T)	2	
12	11501015	PLAIN WASHER Ø6.5xØ15x1.5	6	
13	11501068	PLAIN WASHER Ø8.5XØ19X1.5	4	
14	11505389	PAN HEAD SCREW M6 x 20	10	
15	11502174	M6 X 20 ROUND HEAD SCREW WITH COLLAR	5	
16	11500071	HEX. BOLT M6x15 (F.T.)8.8	6	
17	11500485	PLAIN WASHER Ø6.5 X Ø23 X 1.5	2	
18	11500520	NYLOCK HEX NUT M8	2	
19	11505009	CARRIAGE BOLT M8X1.25	2	
20	11500052	SPRING WASHER - 8mm	2	
21	11207056	COVER PARKING LIGHT	2	
22	11500426	HEX. BOLT M6x20 (F.T)8.8	2	

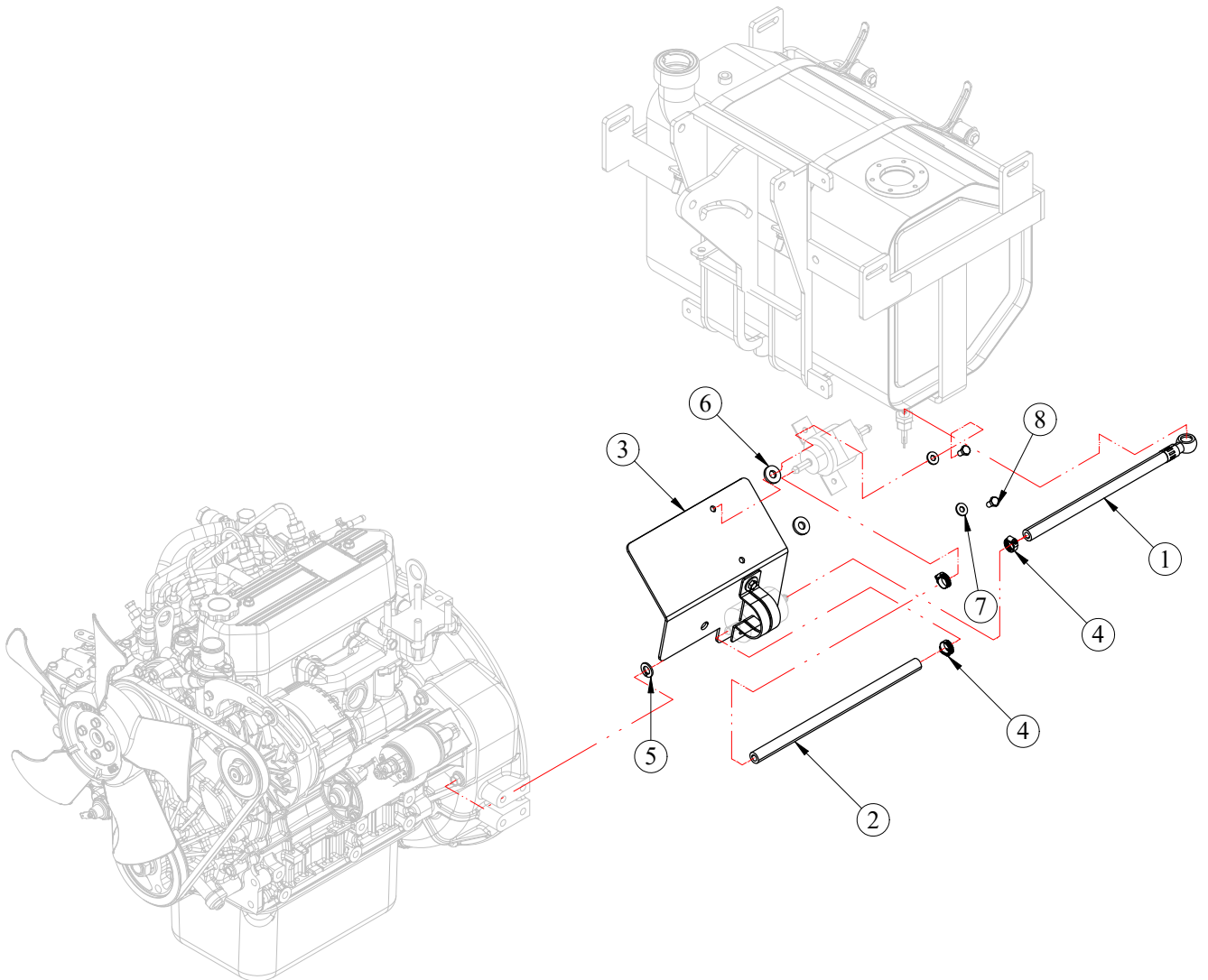


FUEL PUMP PIPE 1

MODEL :- 223,223 NT,223 EU

ASSEMBLY NO. :- 11307641

SR. NO.	PART NO.	DESCRIPTION	QTY.	REMARKS
1	11206423	PIPE FUEL TANK TO FUEL FILTER	1	
2	11202764	OVERFLOW PIPE (410L)	1	
3	11500461	BANJO BOLT M14	1	
4	11500462	COPPER WASHER Ø14xØ21x1.5	2	
5	11201848	CLAMP OVER FLOW PIPE	3	

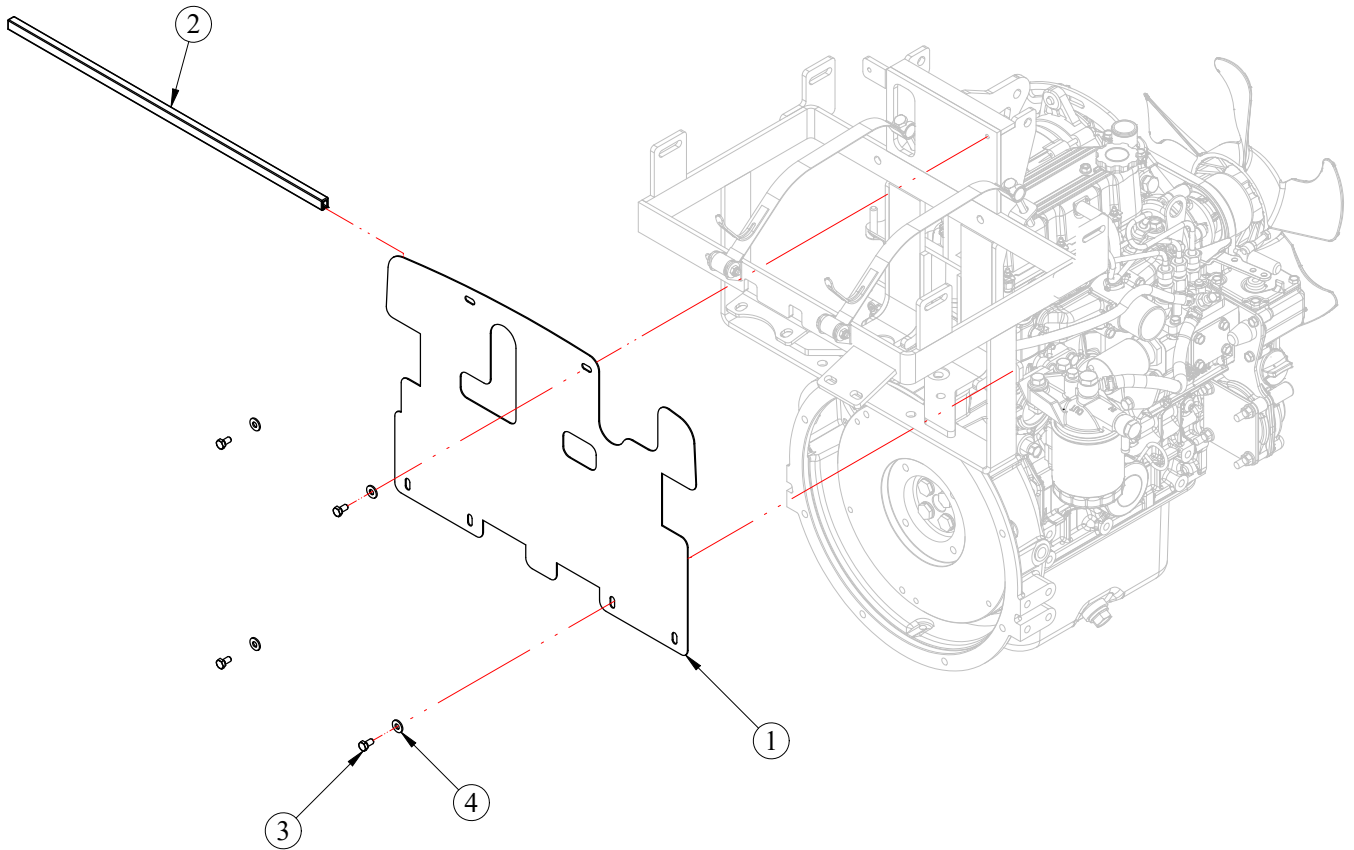


FUEL PUMP PIPE 2

MODEL :- 223,223 NT,223 EU

ASSEMBLY NO. :- 11307642

SR. NO.	PART NO.	DESCRIPTION	QTY.	REMARKS
1	11206421	PIPE FUEL TANK TO PRE FILTER	1	
2	11206422	PIPE FUEL TANK TO PRE FILTER	1	
3	11205700	BRACKET FUEL FEED PUMP	1	
4	11201848	CLAMP OVER FLOW PIPE	3	
5	11500062	SPRING WASHER - 10mm	1	
6	11201535	RUBBER WAHSER Ø9xØ22x3.5	2	
7	11501015	PLAIN WASHER Ø6.5xØ15x1.5	2	
8	11500484	HEX. BOLT M6 X 12 (F.T.)	2	

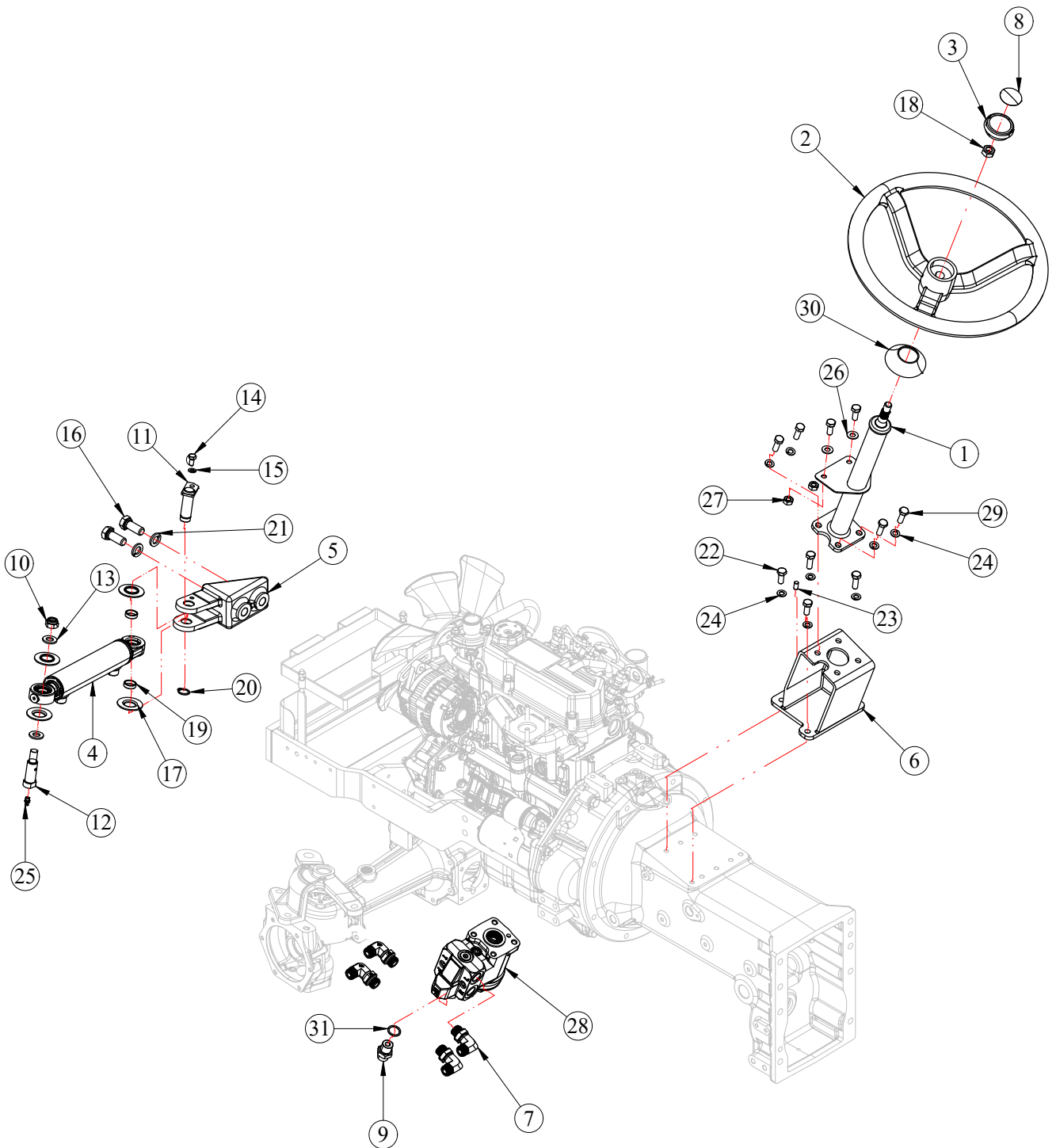


HEAT GUARD SEALING ASSEMBLY

MODEL :- 223 EU

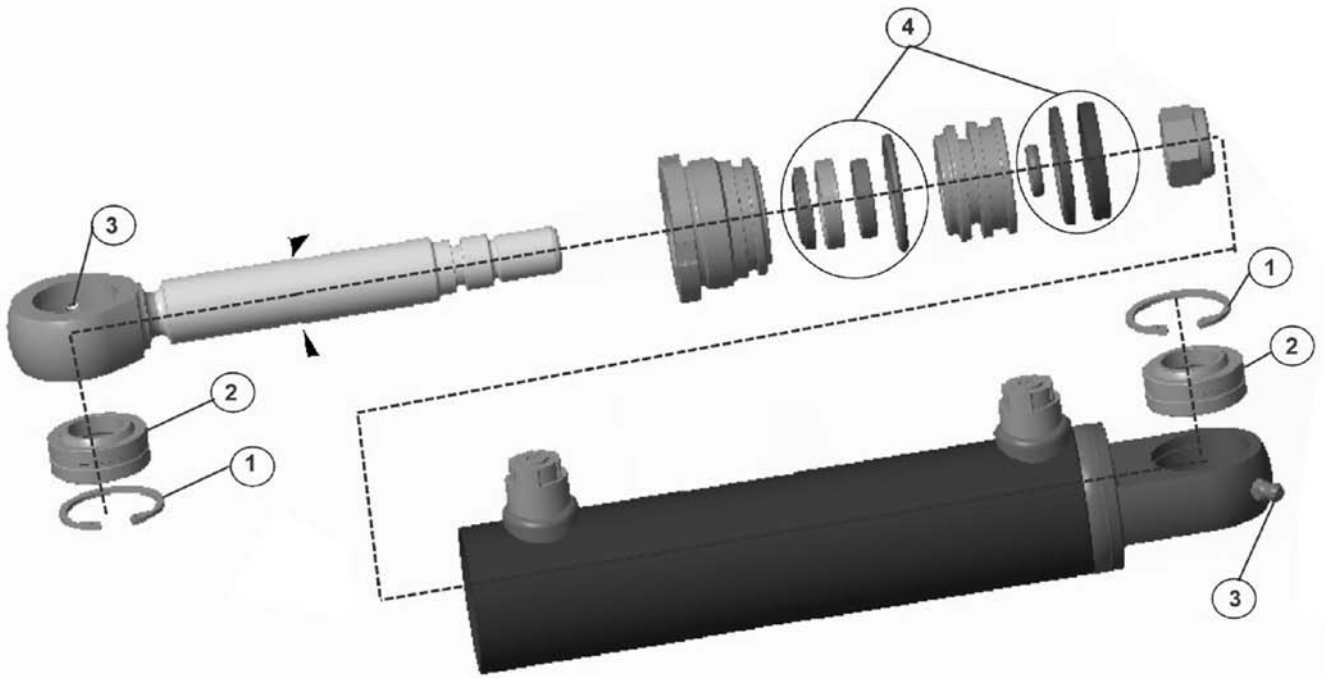
ASSEMBLY NO. :- 11307644

SR. NO.	PART NO.	DESCRIPTION	QTY.	REMARKS
1	11205702	SEALING PLATE MIDDLE	1	
2	11205675	RUBBER GRIP CAGE	1	
3	11500484	HEX. BOLT M6 X 12 (F.T.)	4	
4	11501015	PLAIN WASHER Ø6.5xØ15x1.5	4	



POWER STEERING ASSY
MODEL :- 223,223 EU
ASSEMBLY NO. :- 11307649

SR. NO.	PART NO.	DESCRIPTION	QTY.	REMARKS
1	11205091	STEERING COLUMN ASSY.	1	
2	11401984	STEERING CONTROL WHEEL	1	
3	11201484	CAP STEERING CONTROL WHEEL	1	
4	11404902	STEERING CYLINDER	1	
5	11205086	CYLINDER MOUNTING BRACKET	1	
6	11205090	BRACKET HSU MTG.	1	
7	11506406	ELBOW 90 ADJUSTABLE 1/2 BSP-13/16 UN	4	
8	11201737	STICKER CAP STEERING WHEEL	1	
9	11205327	NIPPLE 1/2" BSP X 13/16" UN	1	
10	11505318	NYLOCK HEX. NUT M14 X 1.5	1	
11	11205093	LOCKING PIN	1	
12	11205098	PIN DIA-Ø20	1	
13	11205097	SPACER_Ø14XØ28X3	2	
14	11500076	HEX BOLT M8 x 16	1	
15	11500052	SPRING WASHER - 8mm	1	
16	11505099	HEX BOLT M16X1.5X45_10.9	2	
17	11205095	RUBBER PAD FOR SPACER	4	
18	11501822	NUT M14 X 1.5 P	1	
19	11205096	SPACER CYLINDER	2	
20	11503297	CIRCLIP,EXTERNAL Ø20x1.75	1	
21	21504529	SPRING WASHER 16mm	2	
22	11500156	HEX. BOLT M10X25 (F.T.)	4	
23	11200119	PIN, DOWEL Ø8 X 16	1	
24	11500062	SPRING WASHER - 10mm	8	
25	11502088	GREASE NIPPLE M8x1	1	
26	11500078	PLAIN WASHER Ø10.5xØ22x1.5	2	
27	11500024	HEX NUT M10	2	
28	11405882	STEERING UNIT VSP 50LSH WITH OLSA 80	1	
29	11500232	HEX. BOLT M10 X 30 (F.T.)	6	
30	11200610	RUBBER COVER, STEERING	1	
31	11500430	COPPER WASHER Ø21XØ26X1.5	1	

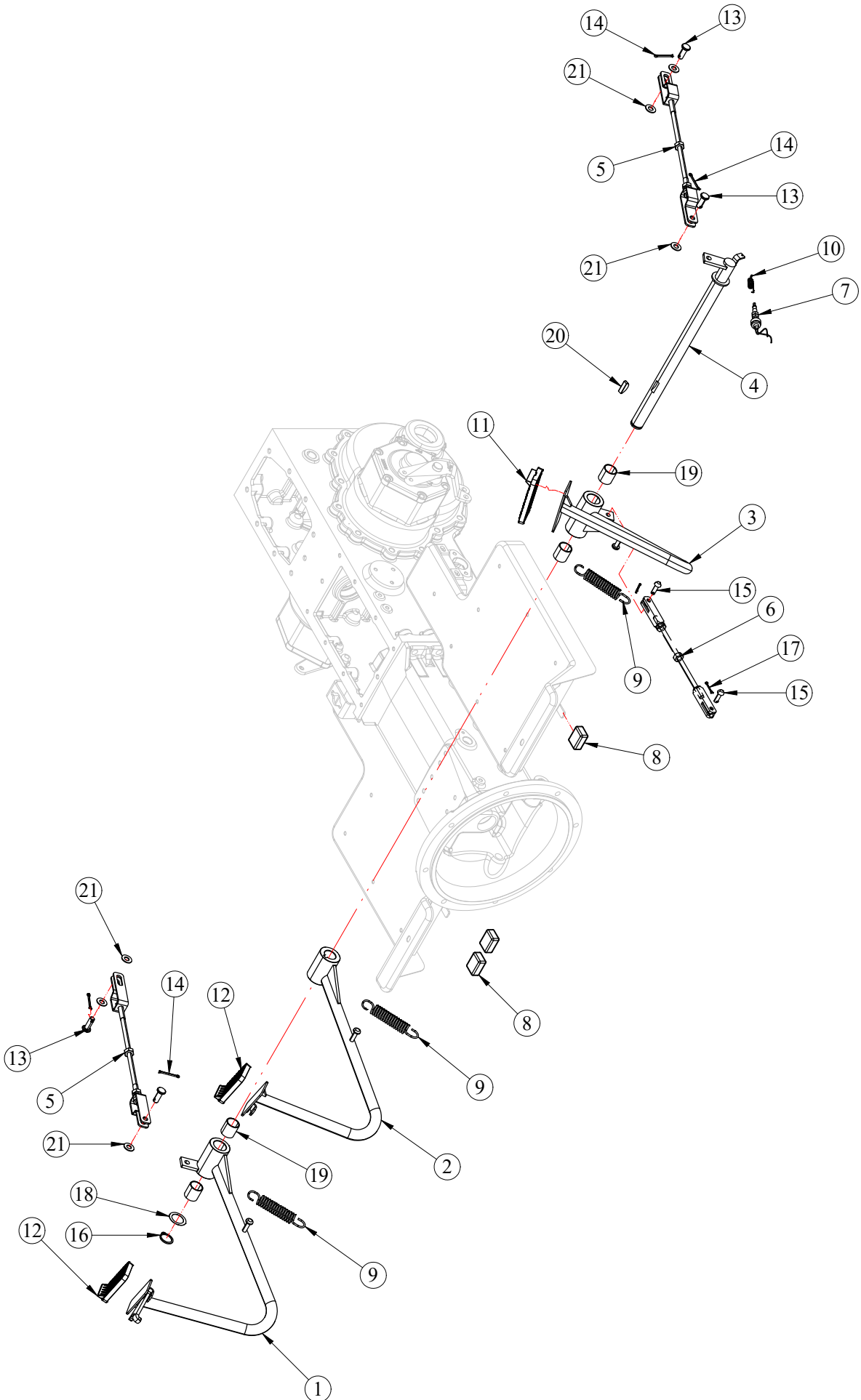


STEERING CYLINDER ASSEMBLY

MODEL :- 223 , 223 NT, 223 EU

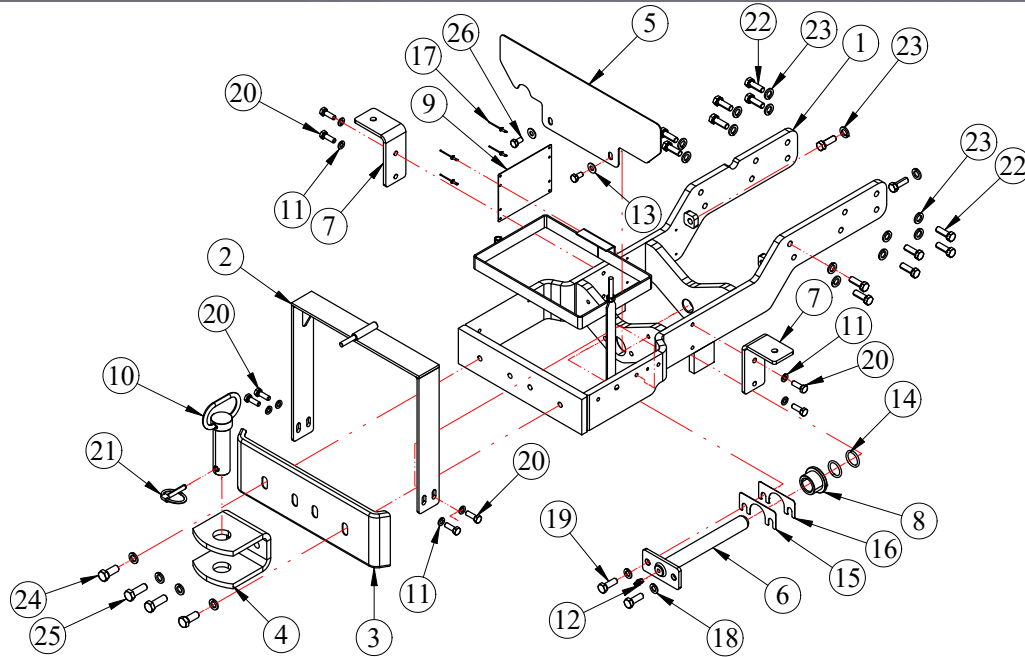
ASSEMBLY NO.:-11305618

SR. NO.	PART NO.	DESCRIPTION	QTY.	REMARKS
1	11405607	INTERNAL CIRCLIP	2	
2	11405608	SPHERICAL BEARING	2	
3	11405609	GREASE NIPPLE	2	
4	11405610	SEAL KIT	1	



BRAKE & CLUTCH PEDAL ASSEMBLY
MODEL :- 223 EU
ASSEMBLY NO. :- 11305549

SR. NO.	PART NO.	DESCRIPTION	QTY.	REMARKS
1	11205212	PEDAL - BRAKE RH	1	
2	11205213	PEDAL - BRAKE LH	1	
3	11205211	PEDAL - CLUTCH	1	
4	11302408	SHAFT, PEDAL	1	
5	11205402	LINK - BRAKE	2	
6	11302449	LINK, CLUTCH	1	
7	11402078	ASSEMBLY BRAKE SWITCH	1	
8	11202420	RUBBER DAMPER, PEDAL	3	
9	11200335	SPRING L-90	3	
10	11200547	SPRING FOR BRAKE LIGHT	1	
11	11203129	PEDAL RUBBER PAD	1	
12	11205210	BRAKE PEDAL PAD	2	
13	11203251	PIN, BRAKE (OIB)	4	
14	11500357	SPLIT PIN 1/8" x 1.1/2"	4	
15	11200066	PIN CLUTCH	2	
16	11503273	CIRCLIP EXTERNAL Ø25X2	1	
17	11500619	SPLIT PIN 3/32" x 1"	2	
18	11201520	SHIM Ø26xØ37x0.2	1	
19	11202430	BUSH, PEDAL IGUS (Ø25 x Ø28 x 30)	4	
20	11202223	WOODRUFF KEY 8 X 13	1	
21	11500078	PLAIN WASHER Ø10.5xØ22x1.5	6	

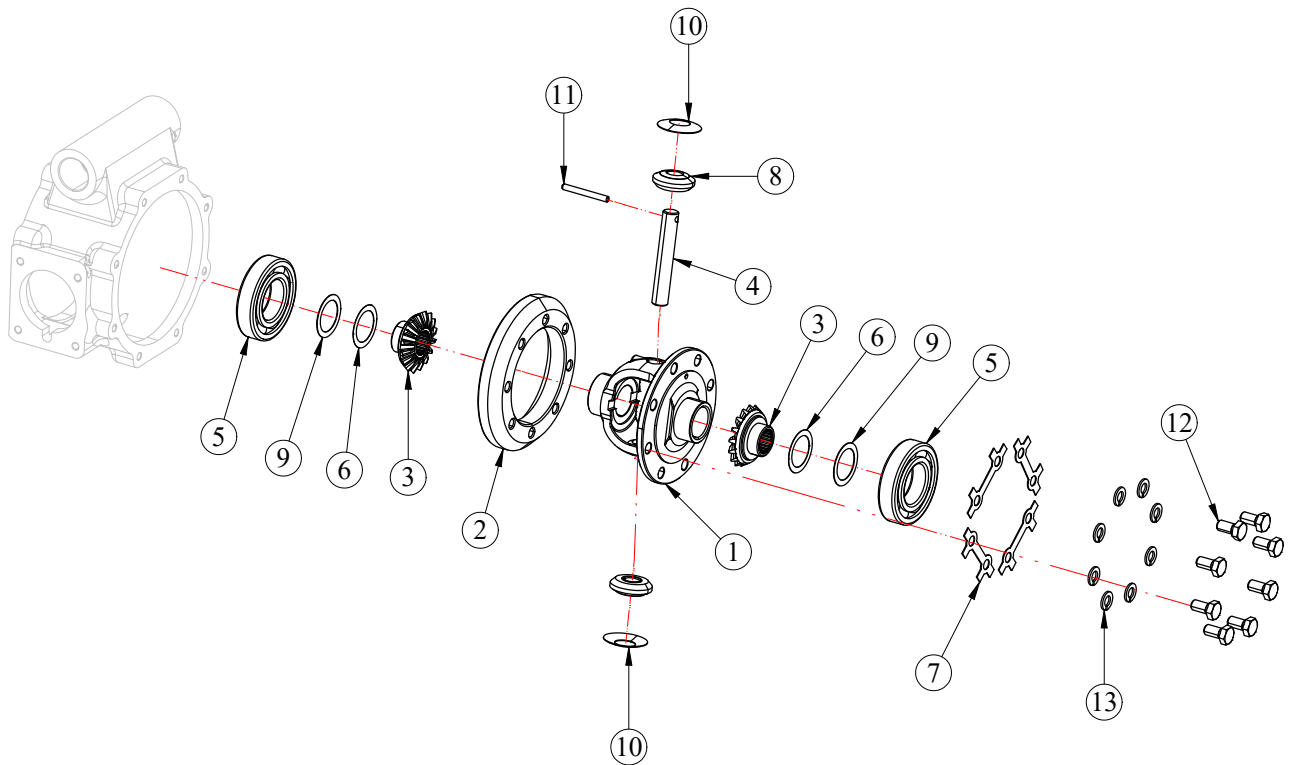


CHASIS FRAME ASSEMBLY

MODEL :- 223 EU

ASSEMBLY NO. :- 11307634

SR. NO.	PART NO.	DESCRIPTION	QTY.	REMARKS
1	11203302	SUPPORT - FRONT AXLE	1	
2	11205100	BRACKET,BONNET SUPPORT	1	
3	11205605	FRONT GUARD	1	
4	11202216	FRONT COUPLING	1	
5	11205940	PLATE RADIATOR BOTTOM SEALING	1	
6	11202426	CENTER PIN (215 L)	1	
7	11205701	BRACKET - RADIATOR	2	
8	11202427	BUSH CENTER PIN	1	
9	11207741	IDENTIFICATION PLATE	1	NOT FOR SALE
10	11202217	HITCH PIN - FRONT COUPLING	1	
11	11500052	SPRING WASHER - 8mm	8	
12	11502088	GREASE NIPPLE M8x1	1	
13	11501068	PLAIN WASHER Ø8.5XØ19X1.5	2	
14	11504895	O-Ring Ø25 x Ø3.53	2	
15	11202428	SHIM CENTER PIN (1MM)	1	QTY:- AR
16	11203020	SHIM CENTER PIN (0.5 MM)	1	QTY:- AR
17	11501460	BLIND ALLUMINIUM RIVET Ø0.125"x0.422"	4	
18	11500062	SPRING WASHER - 10mm	2	
19	11500232	HEX. BOLT M10 X 30 (F.T.)	2	
20	11500051	HEX. BOLT M8 X 25 (F.T.)	8	
21	11200590	LINCH PIN	1	
22	11505945	HEX BOLT M10x1.25x30	14	
23	11500118	SPRING WASHER 12 mm	18	
24	11502079	HEX. BOLT M12 X 30 (F.T.) 8.8	2	
25	11500768	HEX BOLT M12X35 (F.T.) [10.9]	2	
26	11500076	HEX BOLT M8 x 16	2	

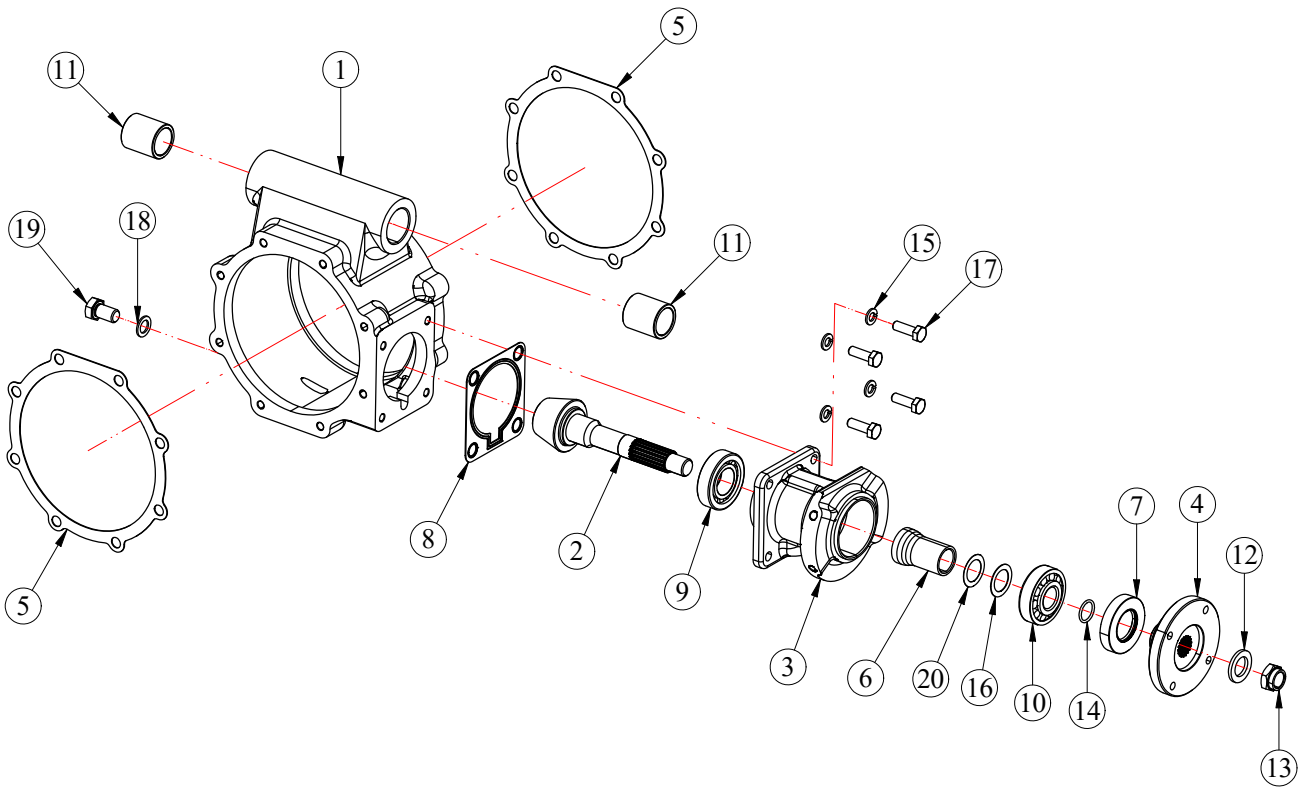


FRONT DIFFERENTIAL CAGE ASSEMBLY

MODEL :- 223,223 NT,223 EU

ASSEMBLY NO. :- 11305570

SR. NO.	PART NO.	DESCRIPTION	QTY.	REMARKS
1	11201102	FRONT DIFFERENTIAL CAGE	1	
2	11201103	CROWN & PINION SET 43X9	1	
3	11201104	BEVEL GEAR 16 T	2	
4	11201108	PIN FOR STAR GEAR	1	
5	11501117	BALL BEARING 6208	2	
6	11200514	SHIMS Ø42XØ31X0.2	2	QTY:- AR
7	11200299	LOCK FLAP FOR AXLE	4	
8	11201106	STAR GEAR 10 T	2	
9	11201105	SHIM Ø26xØ37x0.5	2	QTY:- AR
10	11201107	SHIM STAR GEAR	2	QTY:- AR
11	11201109	LOCK PIN HOLLOW Ø5.5X50	1	
12	11201143	CROWN BOLT M10X20 (1.25P)	8	
13	11500062	SPRING WASHER - 10mm	8	

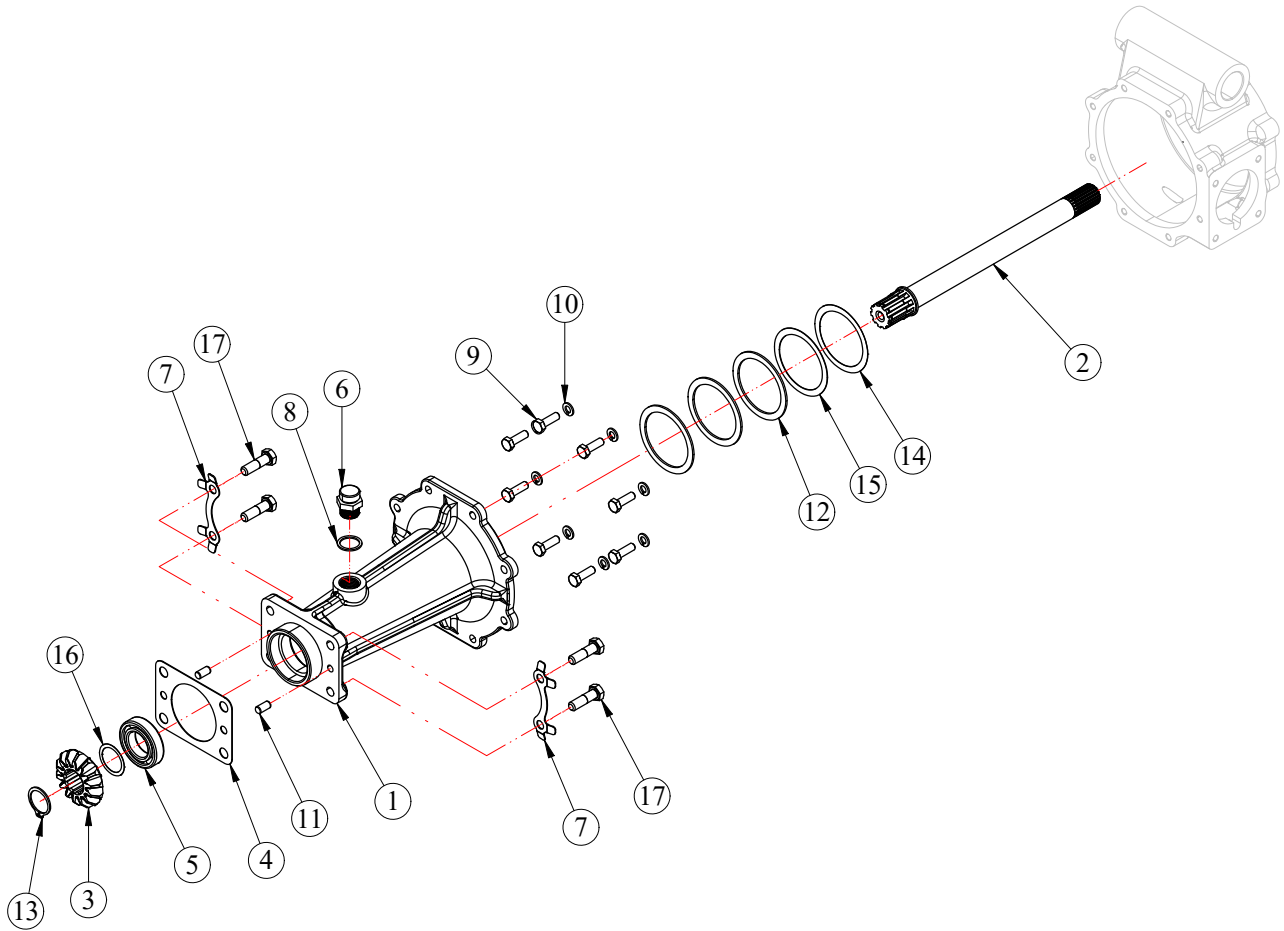


FRONT DIFFERENTIAL PINION SHAFT ASSEMBLY

MODEL :- 223,223 NT,223 EU

ASSEMBLY NO. :- 11305571

SR. NO.	PART NO.	DESCRIPTION	QTY.	REMARKS
1	11202824	MAIN DIFFERENTIAL HOUSING	1	
2	11201103	CROWN & PINION SET 43X9	1	
3	11201094	PINION HOUSING	1	
4	11201145	PROPELLER FLANGE	1	
5	11201134	GASKET FOR DIFFERENTIAL HOUSING	2	
6	11201127	DISTANCE FOR PINION HOUSING	1	
7	11501124	OIL SEAL Ø52xØ28x10	1	
8	11201137	GASKET FOR PINION HOUSING	1	
9	11500344	TAPPER ROLLER BEARING 30205	1	
10	11501121	TAPPER ROLLER BEARING 30304	1	
11	11205422	BUSH CENTER SLEEVE	2	
12	11501146	PLAIN WASHER Ø18XØ30X3	1	
13	11201147	PINION NUT M16X1.5	1	
14	11501470	O-RING Ø17xØ2	1	
15	11500052	SPRING WASHER - 8mm	4	
16	11201128	SHIM Ø20.5 X Ø30 X 0.5	1	QTY:- AR
17	11504701	HEX BOLT M8x25 (F.T.) [10.9]	4	
18	11500007	COPPER WASHER Ø12xØ19x1.5	1	
19	11500773	HEX BOLT M12x20 (F.T.) [8.8]	1	
20	11204854	SHIMS Ø20.5 X Ø30 X 0.2	1	QTY:- AR

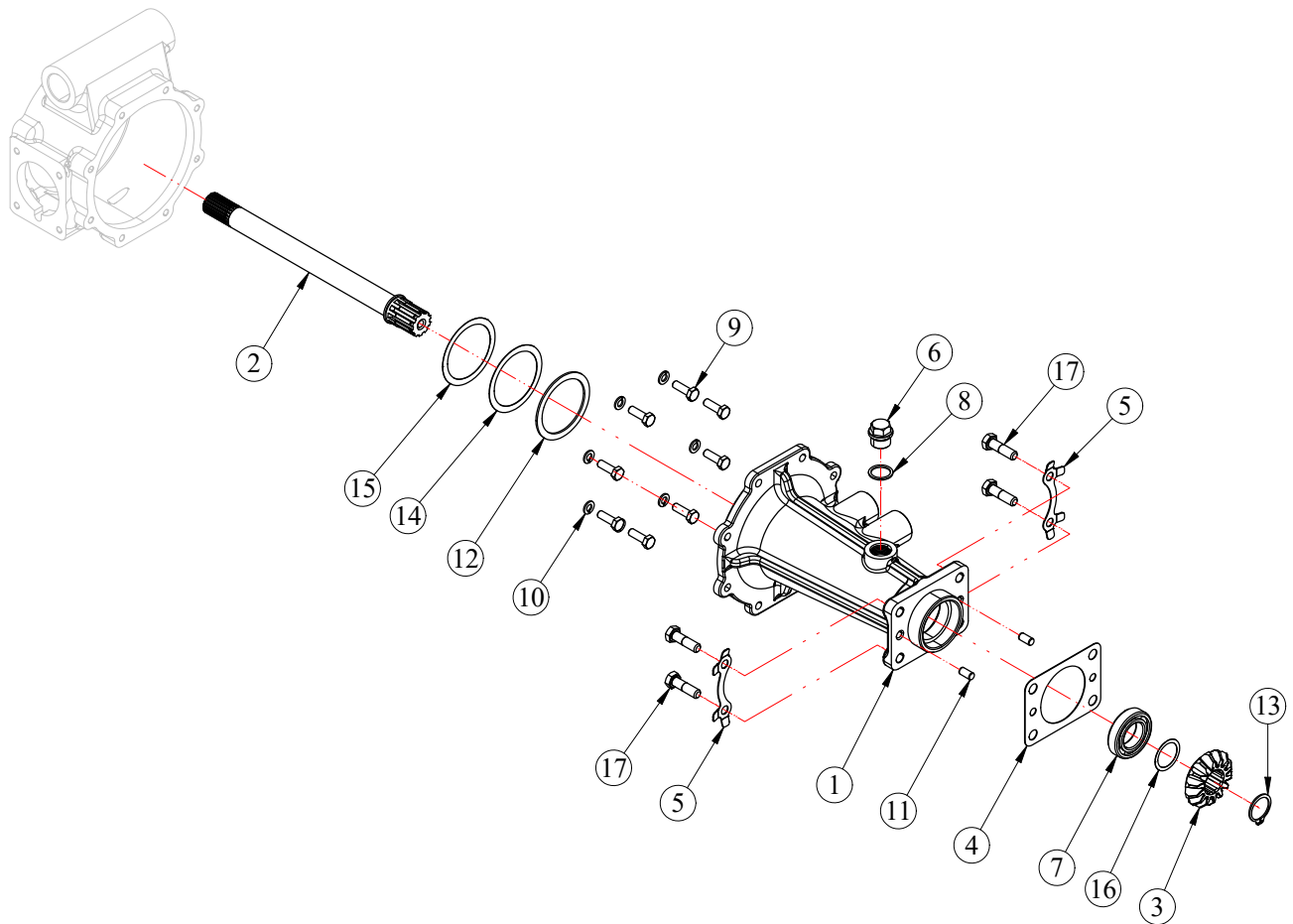


FLANGE DIFFERENTIAL HOUSING ASSEMBLY LH

MODEL :- 223, 223 EU

ASSEMBLY NO. :- 11305565

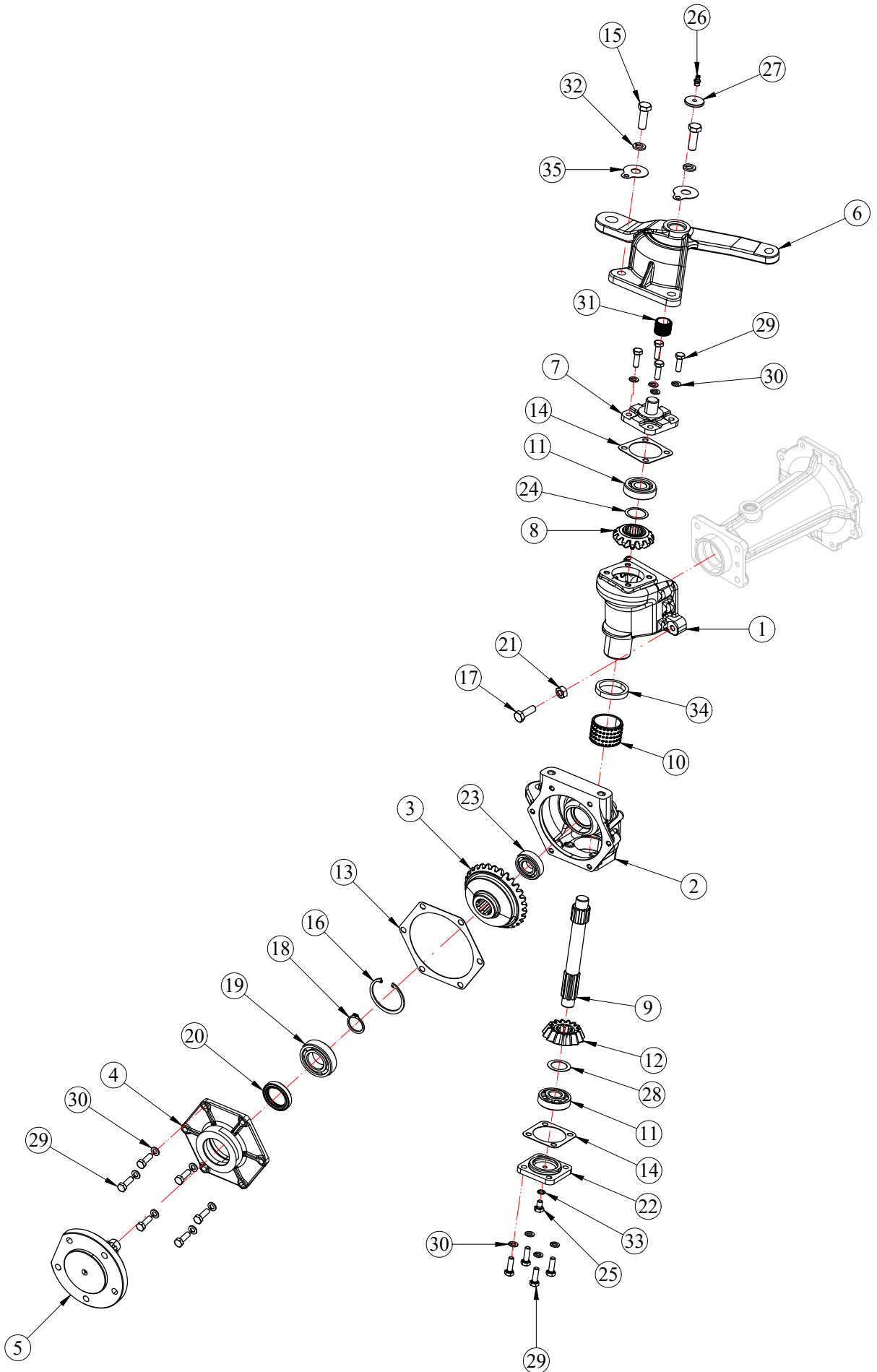
SR. NO.	PART NO.	DESCRIPTION	QTY.	REMARKS
1	11201091	FLANGE DIFFERENTIAL HOUSING	1	
2	11201110	DIFFERENTIAL MAIN AXLE	1	
3	11205072	BEVEL GEAR 14 T	1	
4	11201135	GASKET FOR VERTICAL SHAFT HOUSING	1	
5	11501120	BALL BEARING 6006	1	
6	11202915	AIR BREATHER 1/2" BSP	1	
7	11203256	LOCKING FLAP, FLANGE DIFFERENTIAL HOUSING	2	
8	11500430	COPPER WASHER Ø21XØ26X1.5	1	
9	11504701	HEX BOLT M8x25 (F.T.) [10.9]	8	
10	11500052	SPRING WASHER - 8mm	8	
11	11200119	PIN, DOWEL Ø8 X 16	2	
12	11201221	SPACER FOR FLANGE DIFF. HOUSING	3	
13	11501125	CIRCLIP EXTERNAL Ø28X1.5	1	
14	11200441	SHIMS Ø79XØ64.5X0.2	1	QTY:- AR
15	11201130	SHIMS Ø79xØ64.5x0.5	1	QTY:- AR
16	11201132	SHIMS Ø29xØ37x0.3	1	QTY:- AR
17	11503270	HEX BOLT M10x35x1.25P [10.9]	4	



FLANGE DIFFERENTIAL HOUSING ASSEMBLY RH

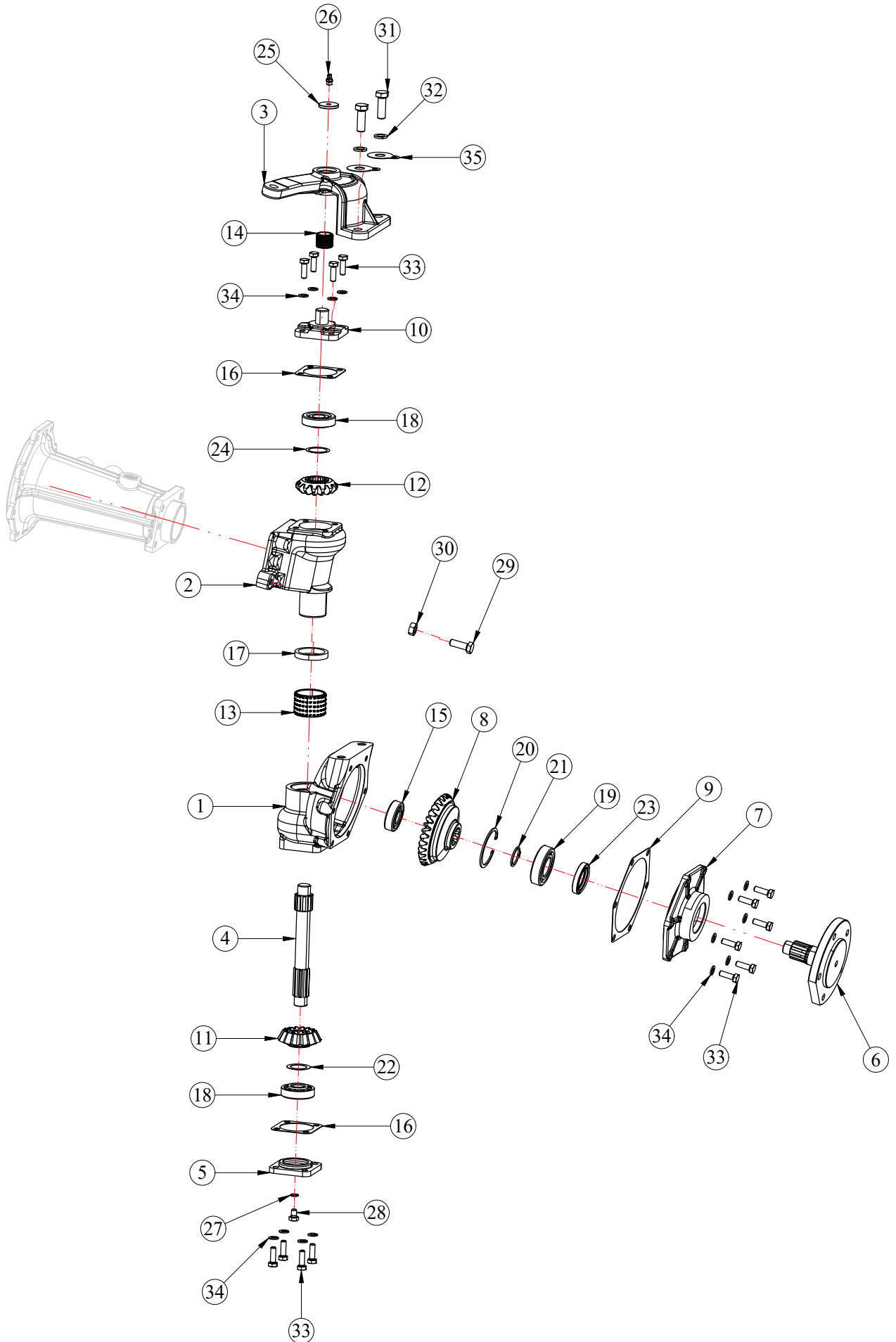
MODEL :- 223, 223 EU
ASSEMBLY NO. :- 11305566

SR. NO.	PART NO.	DESCRIPTION	QTY.	REMARKS
1	11205087	FLANGE DIFFERENTIAL HOUSING (R.H.)	1	
2	11201110	DIFFERENTIAL MAIN AXLE	1	
3	11205072	BEVEL GEAR 14 T	1	
4	11201135	GASKET FOR VERTICAL SHAFT HOUSING	1	
5	11203256	LOCKING FLAP, FLANGE DIFFERENTIAL HOUSING	2	
6	11200120	DRAIN PLUG	1	
7	11501120	BALL BEARING 6006	1	
8	11500430	COPPER WASHER Ø21XØ26X1.5	1	
9	11504701	HEX BOLT M8x25 (F.T.) [10.9]	8	
10	11500052	SPRING WASHER - 8mm	8	
11	11200119	PIN, DOWEL Ø8 X 16	2	
12	11201221	SPACER FOR FLANGE DIFF. HOUSING	1	
13	11501125	CIRCLIP EXTERNAL Ø28X1.5	1	
14	11201130	SHIMS Ø79xØ64.5x0.5	1	QTY:- AR
15	11200441	SHIMS Ø79XØ64.5X0.2	1	QTY:- AR
16	11201132	SHIMS Ø29xØ37x0.3	1	QTY:- AR
17	11503270	HEX BOLT M10x35x1.25P [10.9]	4	



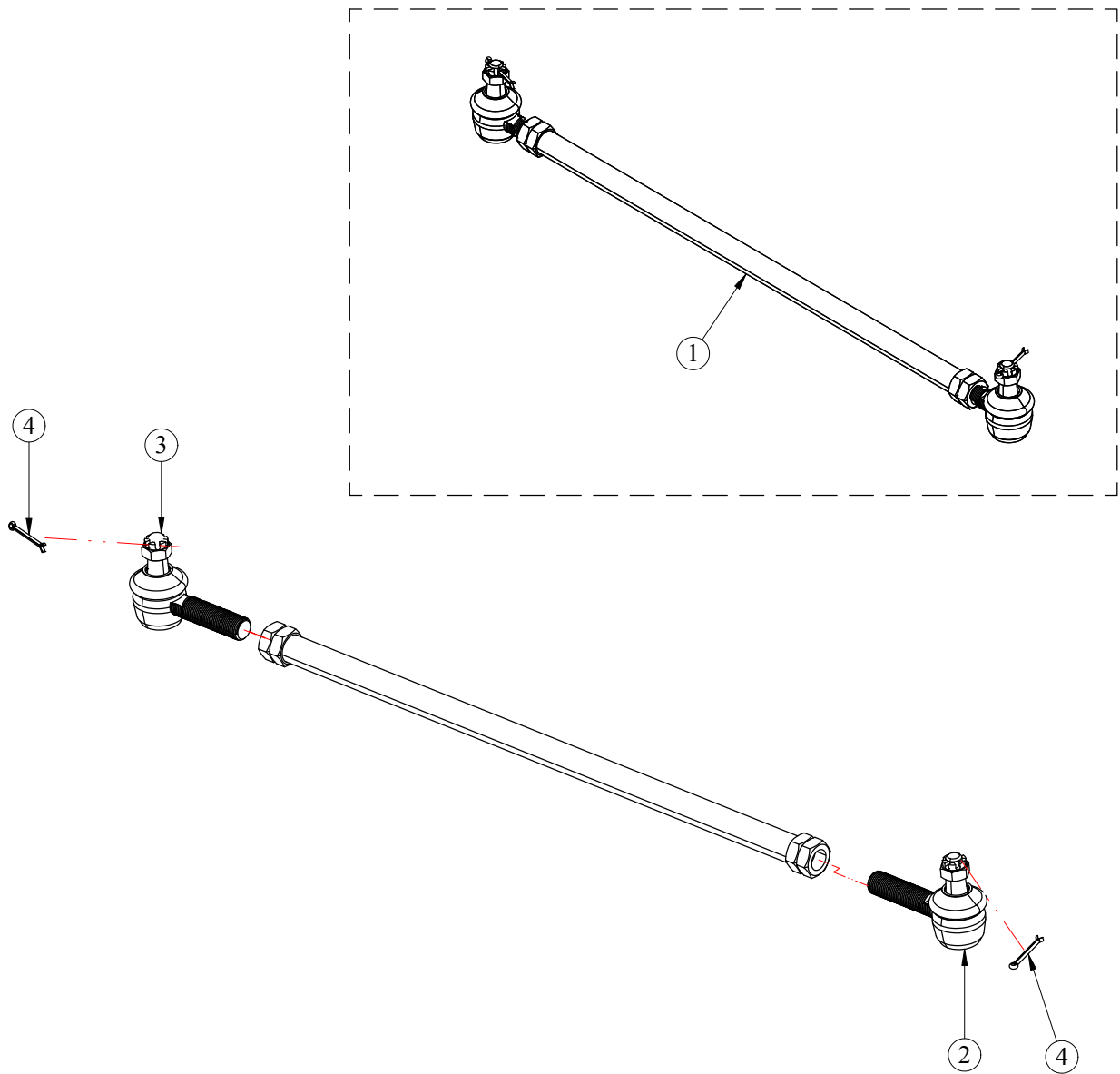
VERTICAL SHAFT HOUSING ASSEMBLY LH
MODEL :- 223,223 NT,223 EU
ASSEMBLY NO. :- 11305596

SR. NO.	PART NO.	DESCRIPTION	QTY.	REMARKS
1	11205014	HOUSING FOR VERTICAL SHAFT LH	1	
2	11203216	HOUSING FOR AXLE FLANGE LH	1	
3	11204549	BEVEL GEAR 29 T -78°	1	
4	11204983	FLANGE FOR AXLE FLANGE HOUSING	1	
5	11202310	AXLE FLANGE (5 Hole)	1	
6	11205085	STEERING ARM (DOUBLE)	1	
7	11201096	TOP COVER FOR VERTICAL SHAFT	1	
8	11205072	BEVEL GEAR 14 T	1	
9	11201111	VERTICAL SHAFT	1	
10	11205030	BUSH FOR VERTICAL HOUSING	1	
11	11501121	TAPPER ROLLER BEARING 30304	2	
12	11204550	BEVEL PINION GEAR 15 T -78°	1	
13	11201136	GASKET FOR AXLE FLANGE HOUSING	1	
14	11201138	GASKET FOR BEARING COVER	2	
15	11500768	HEX BOLT M12X35 (F.T.) [10.9]	2	
16	11501126	CIRCLIP, INTERNAL Ø62X2	1	
17	11504704	HEX BOLT M10x30 (F.T.) [10.9]	1	
18	11501255	CIRCLIP EXTERNAL Ø28 X 2	1	
19	11501118	BALL BEARING 6206	1	
20	11505362	OIL SEAL Ø35x Ø50x8 (NBR)	1	
21	11500024	HEX NUT M10	1	
22	11204551	BOTTOM COVER FOR VERTICAL SHAFT -78°	1	
23	11501119	BALL BEARING 6204	1	
24	11201132	SHIMS Ø29xØ37x0.3	1	QTY:- AR
25	11500489	HEX BOLT M8 X 12 (F.T.)	2	
26	11502088	GREASE NIPPLE M8x1	1	
27	11205107	WASHER FOR STEERING ARM	1	
28	11201133	SHIM Ø26 X Ø37 X 0.5	1	QTY:- AR
29	11504701	HEX BOLT M8x25 (F.T.) [10.9]	14	
30	11500052	SPRING WASHER - 8mm	14	
31	11205123	STEERING ARM BUSH	1	
32	11500118	SPRING WASHER 12 mm	2	
33	11500112	COPPER WASHER Ø8XØ12X1	2	
34	11501122	OIL SEAL Ø52xØ42x8	1	
35	11200880	LOCK FLAP FOR M12 BOLT	2	



VERTICAL SHAFT HOUSING ASSEMBLY RH
MODEL :- 223,223 NT,223 EU
ASSEMBLY NO. :- 11305597

SR. NO.	PART NO.	DESCRIPTION	QTY.	REMARKS
1	11203217	HOUSING FOR AXLE FLANGE RH	1	
2	11204555	HOUSING FOR VERTICAL SHAFT RH	1	
3	11205084	STEERING ARM (SINGLE)	1	
4	11201111	VERTICAL SHAFT	1	
5	11204551	BOTTOM COVER FOR VERTICAL SHAFT -78°	1	
6	11202310	AXLE FLANGE (5 Hole)	1	
7	11204983	FLANGE FOR AXLE FLANGE HOUSING	1	
8	11204549	BEVEL GEAR 29 T -78°	1	
9	11201136	GASKET FOR AXLE FLANGE HOUSING	1	
10	11201096	TOP COVER FOR VERTICAL SHAFT	1	
11	11204550	BEVEL PINION GEAR 15 T -78°	1	
12	11205072	BEVEL GEAR 14 T	1	
13	11205030	BUSH FOR VERTICAL HOUSING	1	
14	11205123	STEERING ARM BUSH	1	
15	11501119	BALL BEARING 6204	1	
16	11201138	GASKET FOR BEARING COVER	2	
17	11501122	OIL SEAL Ø52xØ42x8	1	
18	11501121	TAPPER ROLLER BEARING 30304	2	
19	11501118	BALL BEARING 6206	1	
20	11501126	CIRCLIP, INTERNAL Ø62X2	1	
21	11501255	CIRCLIP EXTERNAL Ø28 X 2	1	
22	11201133	SHIM Ø26 X Ø37 X 0.5	1	QTY:- AR
23	11505362	OIL SEAL Ø35x Ø50x8 (NBR)	1	
24	11201132	SHIMS Ø29xØ37x0.3	1	QTY:- AR
25	11205107	WASHER FOR STEERING ARM	1	
26	11502088	GREASE NIPPLE M8x1	1	
27	11500112	COPPER WASHER Ø8XØ12X1	2	
28	11500489	HEX BOLT M8 X 12 (F.T.)	2	
29	11504704	HEX BOLT M10x30 (F.T) [10.9]	1	
30	11500024	HEX NUT M10	1	
31	11500768	HEX BOLT M12X35 (F.T.) [10.9]	2	
32	11500118	SPRING WASHER 12 mm	2	
33	11504701	HEX BOLT M8x25 (F.T.) [10.9]	14	
34	11500052	SPRING WASHER - 8mm	14	
35	11200880	LOCK FLAP FOR M12 BOLT	2	

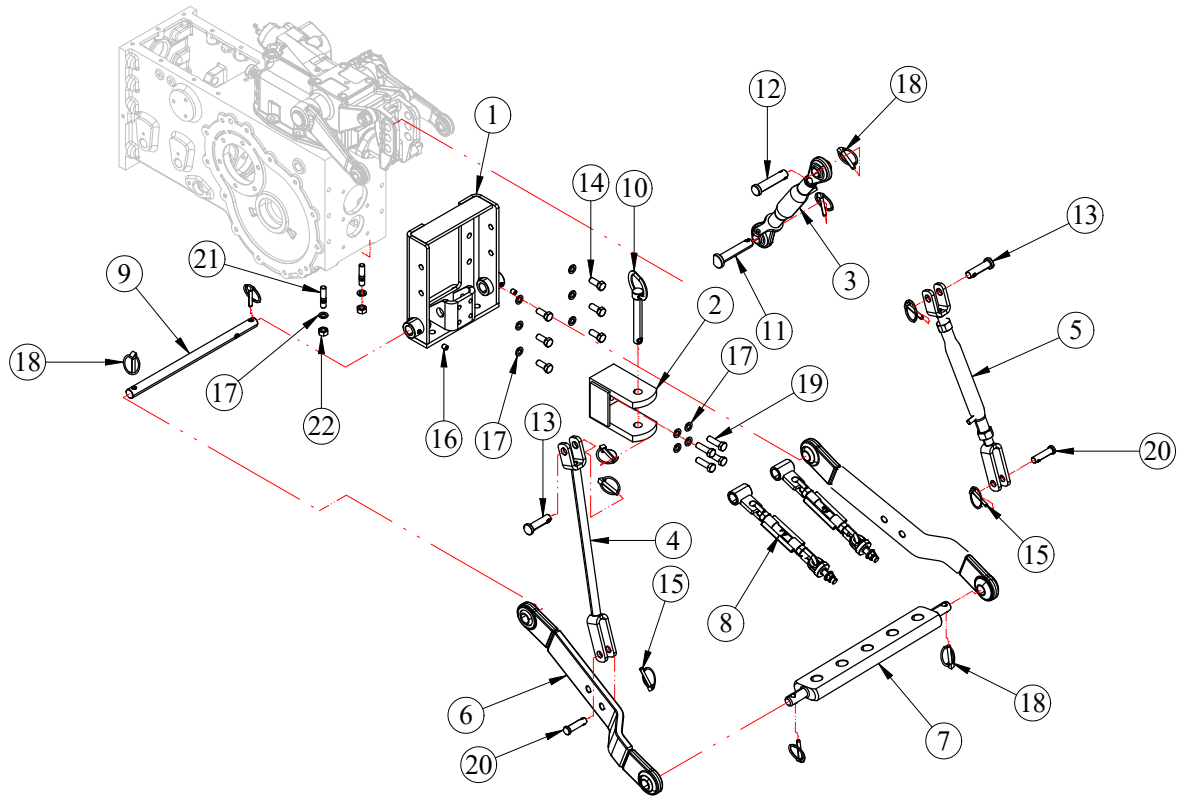


TIE ROD ASSEMBLY 508

MODEL :- 223, 223 EU

ASSEMBLY NO. :- 11305629

SR. NO.	PART NO.	DESCRIPTION	QTY.	REMARKS
1	11305108	TIE ROD ASSEMBLY 508	1	
2	11200790	TIE ROD END R.H. SIDE	1	
3	11200789	TIE ROD END L.H. SIDE	1	
4	11500357	SPLIT PIN 1/8" x 1.1/2"	2	

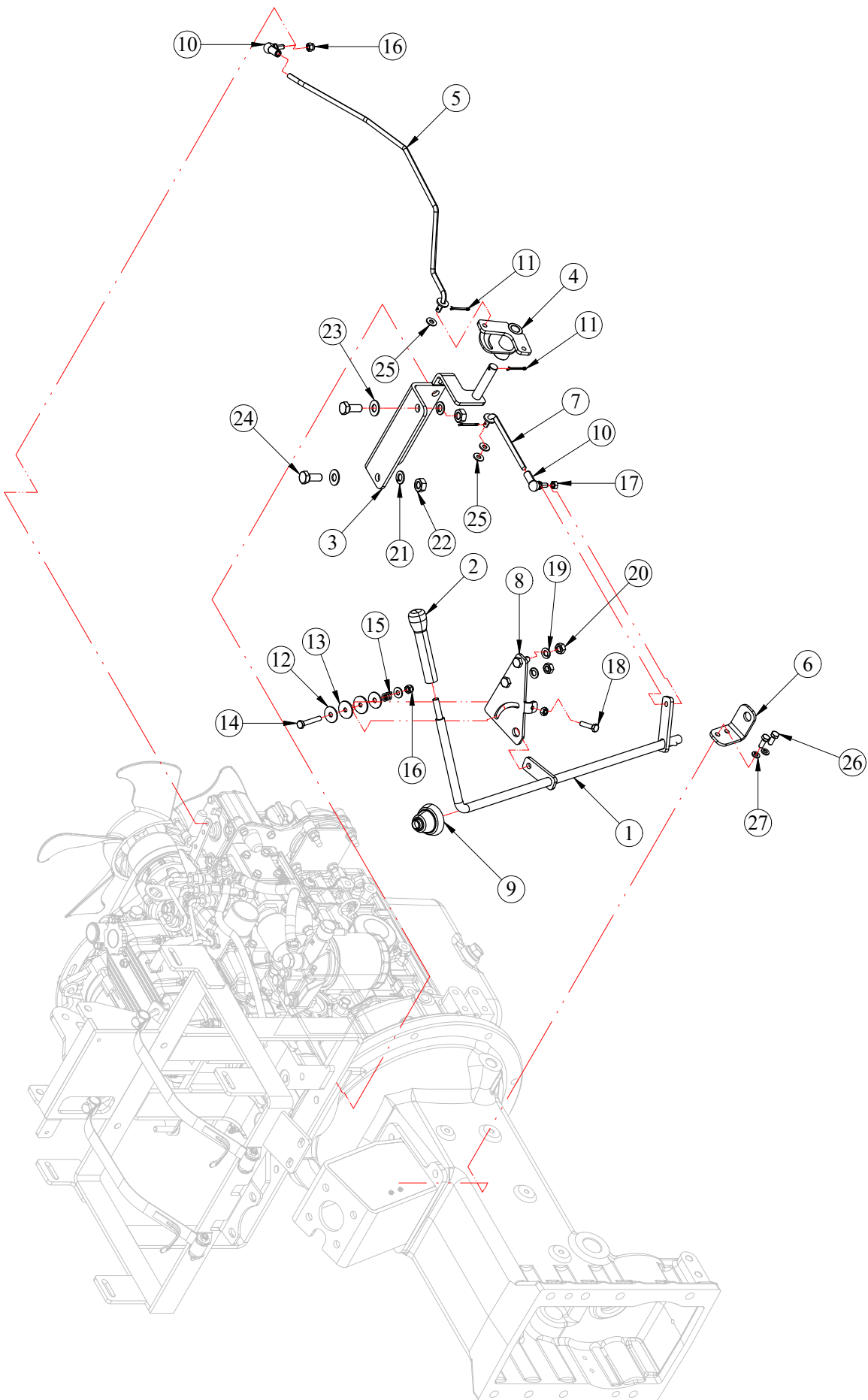


THREE POINT LINKAGE ASSEMBLY

MODEL :- 223 EU

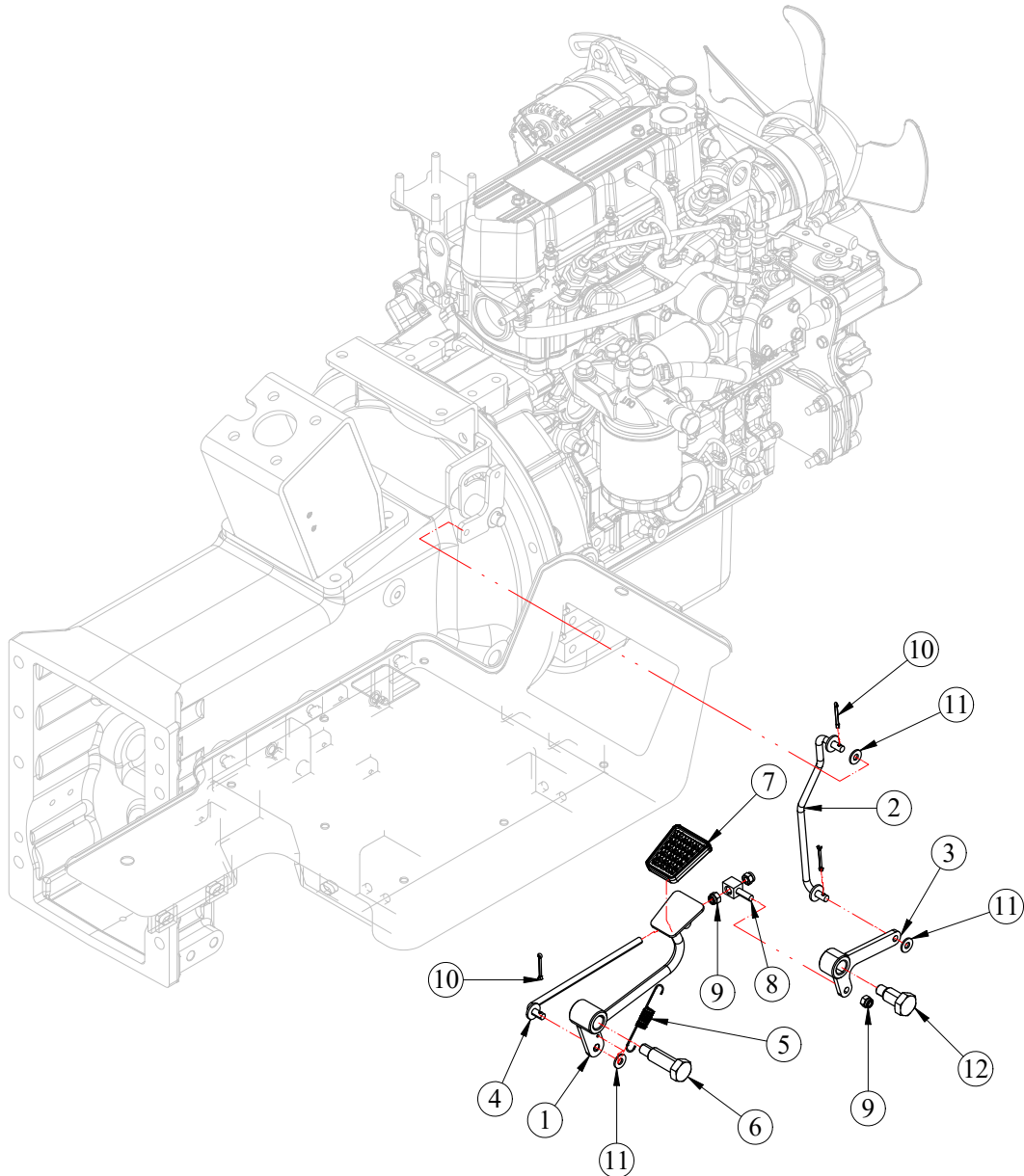
ASSEMBLY NO. :- 11305594

SR. NO.	PART NO.	DESCRIPTION	QTY.	REMARKS
1	11203120	BRACKET, LOWER LINK	1	
2	11202214	REAR COUPLING	1	
3	11304980	TOP LINK	1	
4	11206737	SIDE LINK FIX	1	
5	11206738	SIDE LINK ADJUSTABLE	1	
6	11206736	LOWER LINK (500)	2	
7	11205482	DRAWBAR	1	
8	11206739	STABILZER CHAIN LOWER LINK	2	
9	11203250	BAR, LOWER LINK (3+1)	1	
10	11202215	HITCH PIN - REAR COUPLING	1	
11	11203271	HITCH PIN BIG	1	
12	11200589	HITCH PIN BIG	1	
13	11203223	HITCH PIN BIG (Ø 16 mm)	2	
14	11502079	HEX. BOLT M12 X 30 (F.T.) 8.8	6	
15	11201300	LINCH PIN (SMALL)	2	
16	11501777	GRUB BOLT M10X12	2	
17	11500118	SPRING WASHER 12 mm	12	
18	11200590	LINCH PIN	9	
19	11501772	HEX. BOLT M12x40 (H.T.)- GRADE- 10.9	4	
20	11201330	HITCH PIN (DIA. 14MM)	2	
21	11501052	STUD M12 X 35	2	
22	11500117	HEX NUT M12	2	



HAND ACCELERATOR
MODEL :- 223,223 NT,223 EU
ASSEMBLY NO. :- 11307650

SR. NO.	PART NO.	DESCRIPTION	QTY.	REMARKS
1	11205148	HAND ACCELERATOR ASSY	1	
2	11202125	GRIP HAND THROTTLE LEVER	1	
3	11205146	BRACKET CAGE MOUNTING	1	
4	11205141	ACCELERATOR ARM	1	
5	11205698	ROD - ACCELERATOR	1	
6	11205794	SUPPORT - HAND ACCELERATOR	1	
7	11202458	LINK,HAND THROTTLE LEVER	1	
8	11203186	HAND LEVER SUPPORT	1	
9	11202124	RUBBER COVER HAND THROTTLE LEVER	1	
10	11503278	ANGULAR BALL JOINT L-TYPE	2	
11	11500619	SPLIT PIN 3/32" x 1"	3	
12	11500485	PLAIN WASHER Ø6.5 X Ø23 X 1.5	2	
13	11201531	WASHER FRICTION	2	
14	11501077	HEX. BOLT M6x40 (F.T.) 8.8	1	
15	11201004	SPRING DRAFT & POSITION LEVER	1	
16	11500947	NYLOCK NUT M6	2	
17	11500037	HEX. NUT M6	2	
18	11500195	HEX. BOLT M6x25 (F.T.)8.8	1	
19	11500052	SPRING WASHER - 8mm	2	
20	11500082	HEX NUT M8	2	
21	11500062	SPRING WASHER - 10mm	2	
22	11500024	HEX NUT M10	2	
23	11500078	PLAIN WASHER Ø10.5xØ22x1.5	2	
24	11500156	HEX. BOLT M10X25 (F.T.)	2	
25	11501015	PLAIN WASHER Ø6.5xØ15x1.5	5	
26	11500071	HEX. BOLT M6x15 (F.T.)8.8	2	
27	11500073	SPRING WASHER - 6 mm	2	



FOOT ACCELERATOR

MODEL :- 223,223 NT,223 EU

ASSEMBLY NO. :- 11305567

SR. NO.	PART NO.	DESCRIPTION	QTY.	REMARKS
1	11202453	PEDAL, ACCELETERATOR	1	
2	11205142	LINK, FOOT ACCELERATOR	1	
3	11203185	SUPPORT ARM, FOOT LEVER	1	
4	11202461	LINK, ACCELERATOR CONTROL	1	
5	11203255	SPRING FOR ACCELERATOR	1	
6	11203180	SPECIAL BOLT, PEDAL ACCELERATOR	1	
7	11203130	PEDAL PAD (FOOT THROTTLE)	1	
8	11201849	SWIVEL 6mm	1	
9	11500947	NYLOCK NUT M6	3	
10	11500619	SPLIT PIN 3/32" x 1"	3	
11	11501015	PLAIN WASHER Ø6.5xØ15x1.5	3	
12	11202993	SPECIAL BOLT - PARKING BRAKE	1	

① **223**
4WD

② **CAPTAIN**

③ **4X4**



⑤

⚠ DANGER

- KEEP FLAMES AWAY FROM BATTERY.
- DISCONNECT -ve CABLE OF BATTERY BEFORE ANY WELDING OPERATION.
- PROTECT YOURSELF FROM BATTERY, FLAME BURNS CAN RESULT FROM BATTERY ACID.
- IN CASE OF CONTACT WITH ACID, FLUSH WITH PLENTY OF WATER IMMEDIATELY.
- DO NOT JUMP START THE TRACTOR BY SHORTING ACROSS STARTER TERMINALS AS TRACTOR WILL MOVE IF IN GEAR.

11203031.01

⑥

⚠ WARNING

FASTEN SEAT BELT

SEAT BELT MUST BE WORN BECAUSE THIS TRACTOR IS EQUIPPED WITH ROLL OVER PROTECTION.

FAILURE TO FASTEN SEAT BELT COULD RESULT IN SERIOUS INJURY OR DEATH

⑦

⚠ WARNING

- READ THE OPERATING MANUAL CAREFULLY BEFORE STARTING THE TRACTOR. FOR QUERIES CONTACT AUTHORIZED DEALER.
- CLEAR THE AREA OF BY STANDERS.
- UNDERSTAND OPERATOR AND LOCATION OF CONTROLS.
- START ENGINE ONLY FROM DRIVER SEAT WITH GEAR LEVER IN NEUTRAL POSITION BY PRESSING CLUTCH PEDAL.
- WHILE DRIVING ON ROAD, BRAKE PEDALS SHOULD BE LOCKED TOGETHER, USE SLOW MOVING VEHICLE EMBLEM AND WARNING LIGHTS.
- DO NOT RUN FAST ON ROUGH GROUND, TURNS AND SLOPES TO AVOID JERKS.
- SITTING IS PROHIBITED ON FENDERS IF THERE IS NO SPECIFIC SEAT PROVIDED. DISENGAGE PTO AND STOP ENGINE BEFORE ATTACHING OR DETACHING IMPLEMENTS.
- BEFORE LEAVING THE TRACTOR SEAT, LOWER THE EQUIPMENT, POSITION GEAR LEVER IN NEUTRAL, STOP ENGINE AND APPLY PARKING BRAKE.

8

⚠ WARNING

- PULL ONLY FROM DRAWBAR. PULLING FROM ANY OTHER POINT CAN CAUSE REAR OVERTURN.
- DO NOT OPERATE THE PTO WITHOUT GUARD.
- USE SAFETY CHAIN WHEN TOWING EQUIPMENT

FAILURE TO FOLLOW ANY OF THE ABOVE INSTRUCTIONS, CAN RESULT IN SERIOUS INJURY TO OPERATOR OR OTHER PERSON.

9

⚠ SAFETY INSTRUCTION

- It is essential to read The Manual carefully.
- Do not take off belt or Adjustment while Tractor is Running.
- Do not enter or exit from the Tractor while is in motion except in an emergency.
- Do not stand in-between the Tractor and Equipment when operating control.
- Keep clothing hand and feet away from moving parts.
- Do not make any adjustment when tractor is in operation.
- Wear adequate Footwear and snug-fitting clothing. Do not sit or stand on unsafe place when Tractor is moving.
- Keep Display Boards, Handies and Drivers Position Clean.
- Keep All Safety Guards in place While working.
- Make sure that no trains are coming before crossing the unguarded railway crossing

10

CAPTAIN ⚠ WARNING

ENGINE PRECAUTION

- FOR FIRST 100 HRS, OPERATE TRACTOR WITH LOAD ONLY (LIKE CULTIVATOR, LOADED TROLLEY ETC.)
- AVOID UNNECESSARY ENGINE IDLING

PTO PRECAUTION

- KEEP HANDS, FEET AND CLOTHING AWAY FROM PTO AND OTHER MOVING PARTS.
- DISENGAGE PTO AND SHUT OFF ENGINE BEFORE SERVICING TRACTOR OR IMPLEMENTS.
- KEEP PTO COVER SHIELDS IN PLACE IN CASE OF NOT USE OF PTO.

TYRE INFLATION PRESSURE

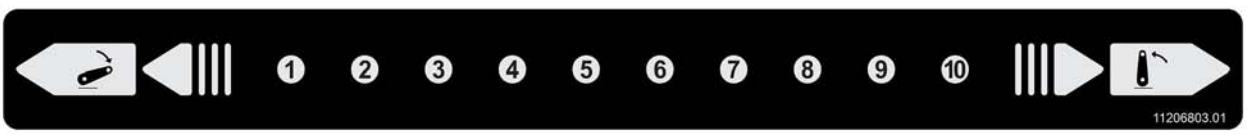
TYRE SIZE		INFLATION PRESSURE (KG/CM ²)
FRONT	180/85D12 (Agricultural)	2.53
	6.5/90-12 (Agricultural - Wide)	2.53
	23x8.5-12 (Turf)	1.54
	23x8.5-12 (Floatation)	2.46
REAR	220/55 R12 (Galaxy Garden Pro)	1.79
	8.3 x 20 (Agricultural)	2.46
	280/70R18 (Agricultural - Wide)	1.54
	33x15.5-16.5 (Turf)	1.54
	33x15.5-16.5 (Floatation)	1.54
	280/70 R16 (Galaxy Garden Pro)	1.58

11203037.04

11



12



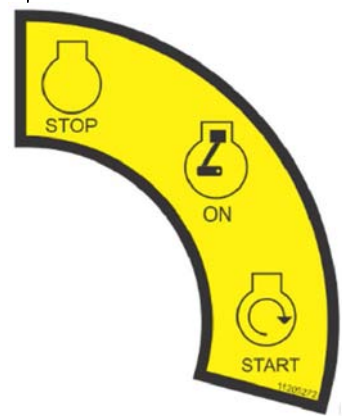
13



14



15



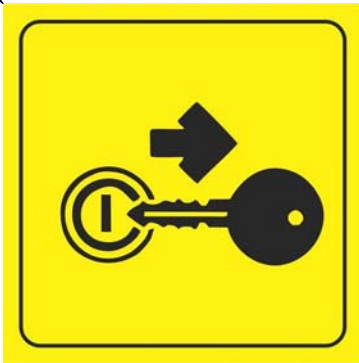
16



17



18



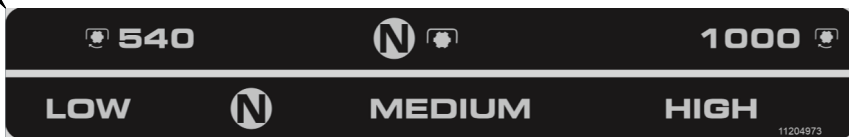
19



20



21



22



23

24



25

26

FINAL APPROVAL

Product Code : _____

Date : _____ Sign : _____

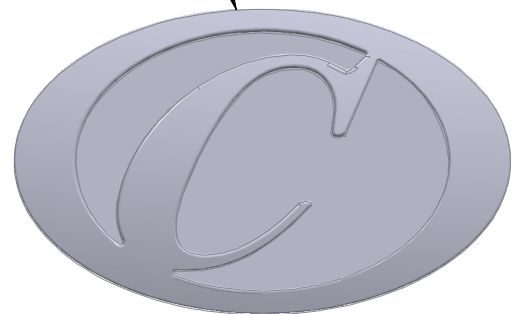
CAPTAIN TRACTORS PVT. LTD.
1208/10,9

PRE DELIVERY INSPECTION

Date : _____ Sign : _____

27

28



29



30

SERVICE INSTRUCTION

1. Clean the Filter element after every 300 HRS .of operation or Red indication by service indicator OR Replace Filter element after 3 cleaning or 750 HRS.
2. Gently pull Filter element back and force to remove to remove our filter from housing.
3. Clean filter element by blowing air (max. pressure of 1.3 bar/20PSI) from inside to outside as shown.
4. Ensure Proper seating of filter into housing before latching the cover .do not use latches on this cover to force the filter into air cleaner which could cause damage to housing and will void the warranty.
5. Vacuator valve in perfectly downward direction.

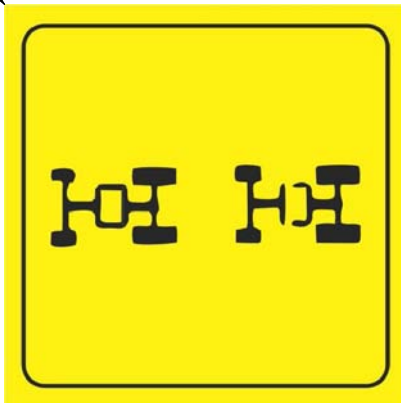
31

⚠ WARNING

- COOLING SYSTEM REMAINS UNDER PRESSURE.
- DO NOT REMOVE RADIATOR CAP WHEN SYSTEM IS HOT.
- ALWAYS TURN THE CAP SLOWLY AND ALLOW PRESSURE TO ESCAPE BEFORE REMOVING THE CAP COMPLETELY.
- WHEN OPERATING BELOW 0°C, USE SUITABLE ANTIFREEZE WITH WATER.

11203030

32



33

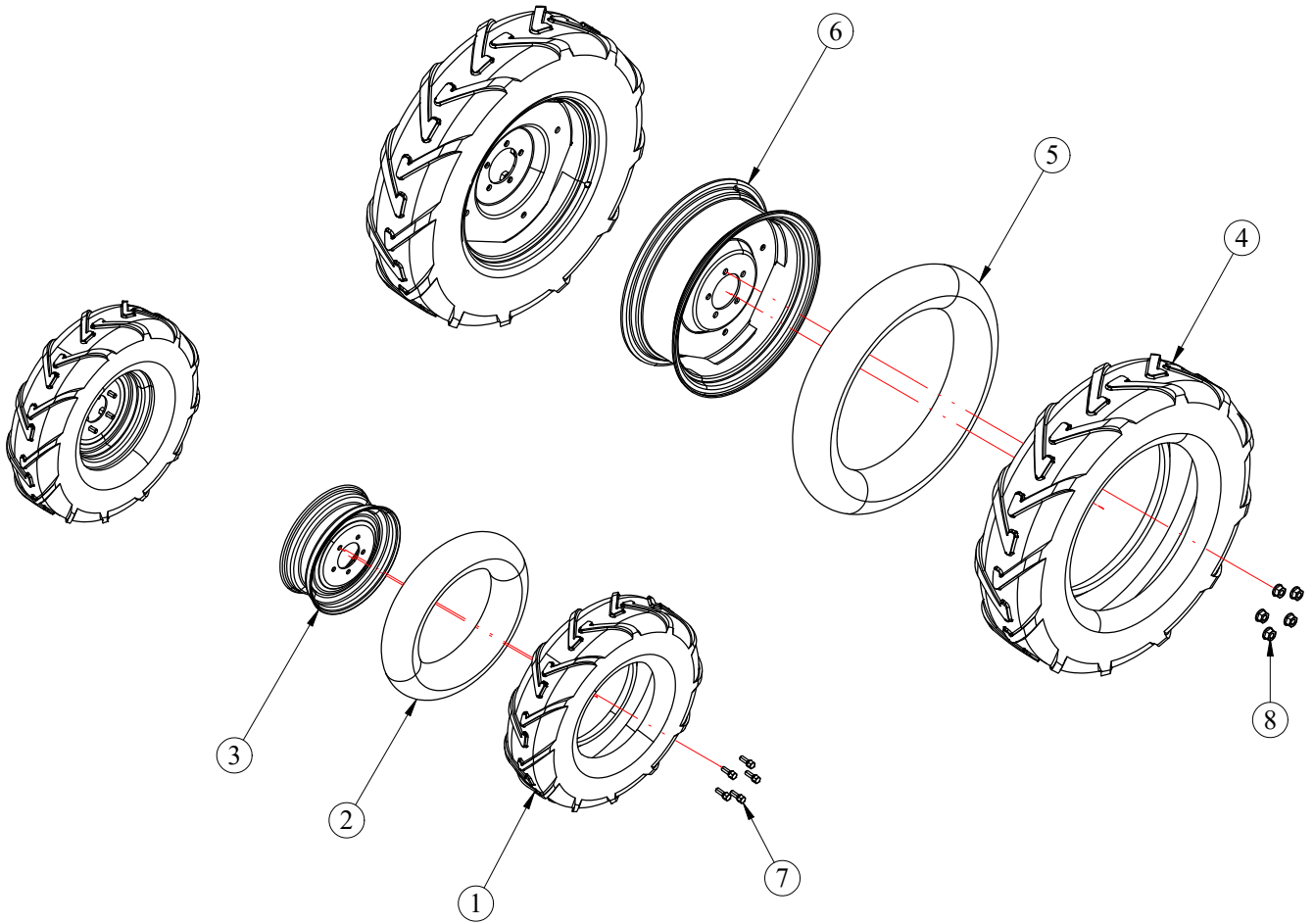


34



DECALS & STICKERS
MODEL :- 223 EU
ASSEMBLY NO. :- 11307697

SR. NO.	PART NO.	DESCRIPTION	QTY.	REMARKS
1	11206802	DECALS "223 4WD"	2	
2	11202140	Decals 3D ""CAPTAIN""	2	
3	11202144	DECALS, "4X4"	2	
4	11203288	STICKER, OIB	1	
5	11203031	STICKER BATTERY (273)	1	
6	11203032	STICKER SEAT (273)	1	
7	11203033	STICKER WARNING (273)	1	
8	11203034	STICKER DRAWBAR (273)	1	
9	11203036	STICKER SAFETY INSTRUCTION (273)	1	
10	11203037	STICKER TYRE INFLATION PRESSURE (273)	1	
11	11203077	STICKER JACK POINT	3	
12	11206803	STICKER POSITION LEVER	1	
13	11203078	STICKER PARKING BRAKE	1	
14	11203079	STICKER PTO SAFETY	1	
15	11205272	STICKER IGNITION	1	
16	11203083	STICKER HAND THROTTLE LEVER	1	
17	11203086	STICKER READ OPERATOR MANUAL	1	
18	11203087	STICKER BONNET LOCK	1	
19	11202768	STICKER, WARNING SIGNAL	1	
20	11202784	STICKER REAR COUPLING	1	
21	11204973	STICKER, HML & PTO	1	
22	11205198	DECAL 8G	2	
23	11205398	THE EIGHT GENERATION (DOME) LABEL	2	
24	11205507	DECALS (STAGE -V)	1	
25	11205165	STICKER, FINAL APPROVAL	1	
26	11205164	STICKER, PRE DELIVERY INSPECTION	1	
27	11204826	DECALS DIFFENTIAL LOCK (STAGE -V)	1	
28	11203258	""3D ""C"" EMBLEM"	1	
29	11204827	DECALS MITSUBISHI (STAGE -V)	2	
30	11203018	INSTRUCTION STICKER DRY AIR CLEANER	1	
31	11203030	STICKER RADIATOR (273)	1	
32	11203085	STICKER 4WD-2WD	1	
33	11203287	STICKER DIFFERENTIAL LOCK (3+1)	1	
34	11203388	STICKER MOVING PART WARNING	1	

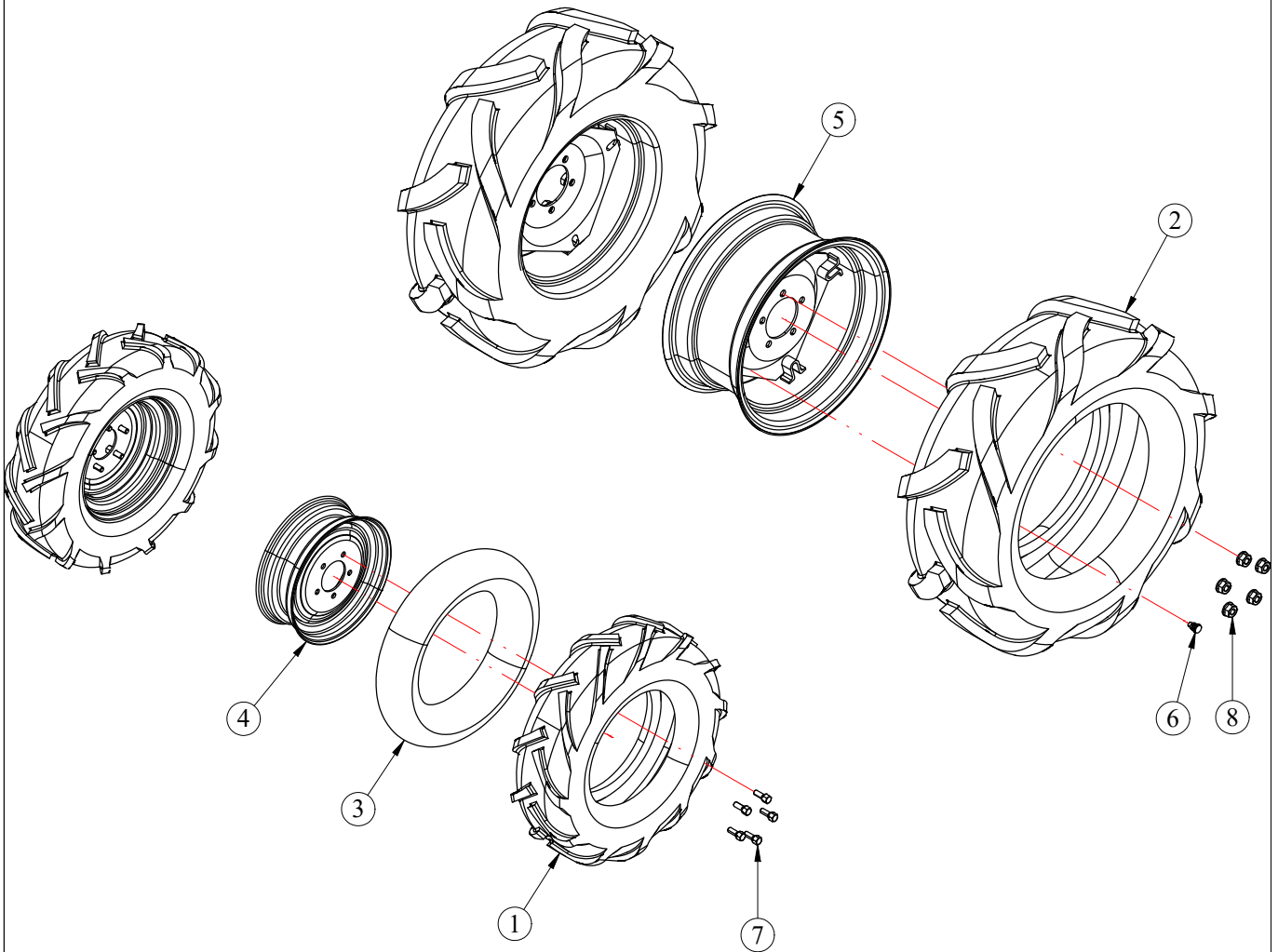


FRONT & REAR WHEEL ASSEMBLY

MODEL :- 223 EU

ASSEMBLY NO. :- 11305568

SR. NO.	PART NO.	DESCRIPTION	QTY.	REMARKS
1	11404727	180/85D12 6PR BKT TR128 E TT	2	
2	11401878	TUBE- 6.00 X 12	2	
3	11403038	WHEEL RIM 4JA X 12	2	
4	11402459	TYRE, 8.3 X 20 (BKT)	2	
5	11402756	TUBE, REAR 8.3 x 20 (BKT)	2	
6	11401866	WHEEL RIM REAR - W7 x 20	2	
7	11501144	HEX BOLT 1/2" UNF 20 TPI [10.9]	10	
8	11202778	NUT FLANGE HEADED, REAR WHEEL	10	

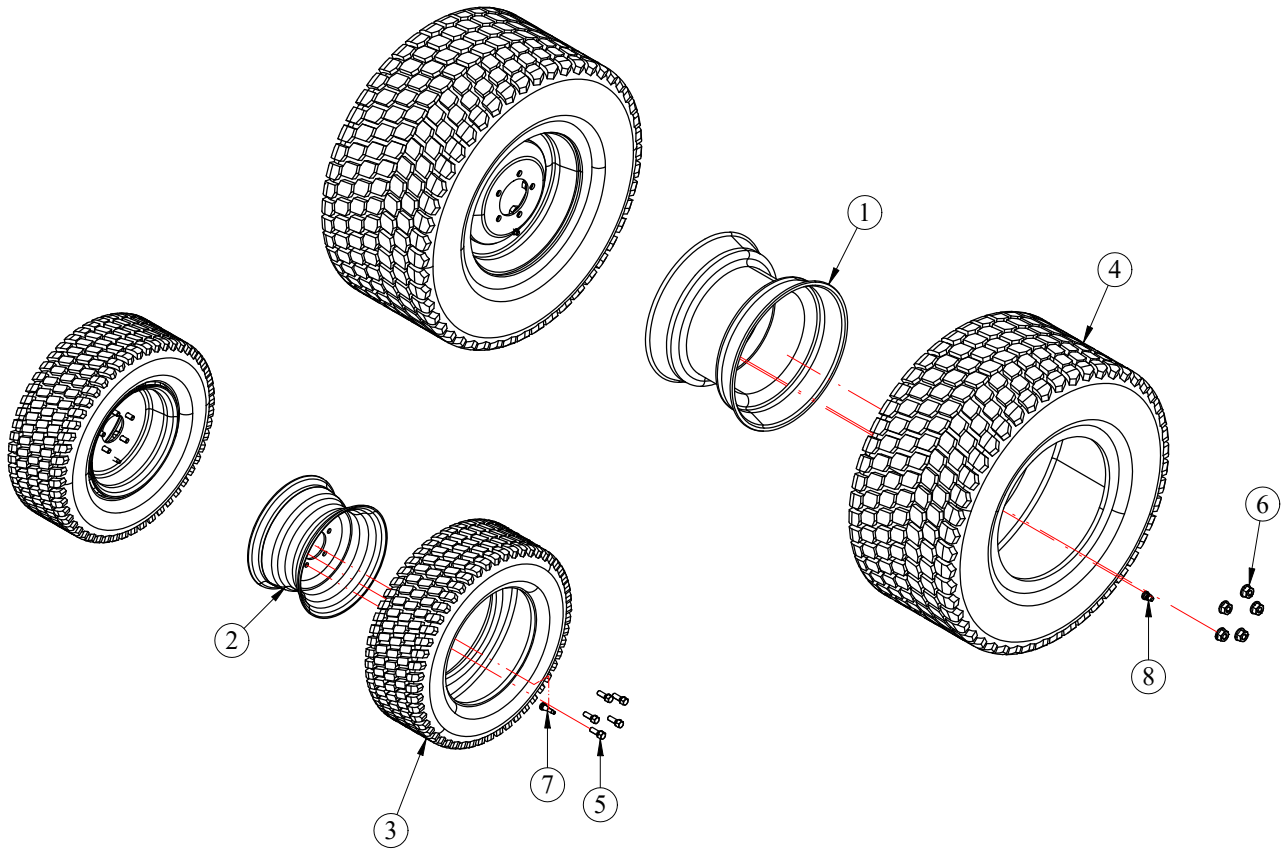


FRONT & REAR WHEEL ASSY (AGRI-WHEEL)

MODEL :- 223 EU

ASSEMBLY NO. :- 11305630

SR. NO.	PART NO.	DESCRIPTION	QTY.	REMARKS
1	11404729	6.5/80-12 6PR BKT AS504 HD E TT (Agri wider)	2	
2	11404726	280/70 AGRIMAX RT765 E 114A8/B (Agri Wider)	2	
3	11401878	TUBE- 6.00 X 12	2	
4	11403038	WHEEL RIM 4JA X 12	2	
5	11404707	WHEEL RIM -W9x18	2	
6	11402287	VALVE TR 618A	2	
7	11501144	HEX BOLT 1/2" UNF 20 TPI [10.9]	10	
8	11202778	NUT FLANGE HEADED, REAR WHEEL	10	

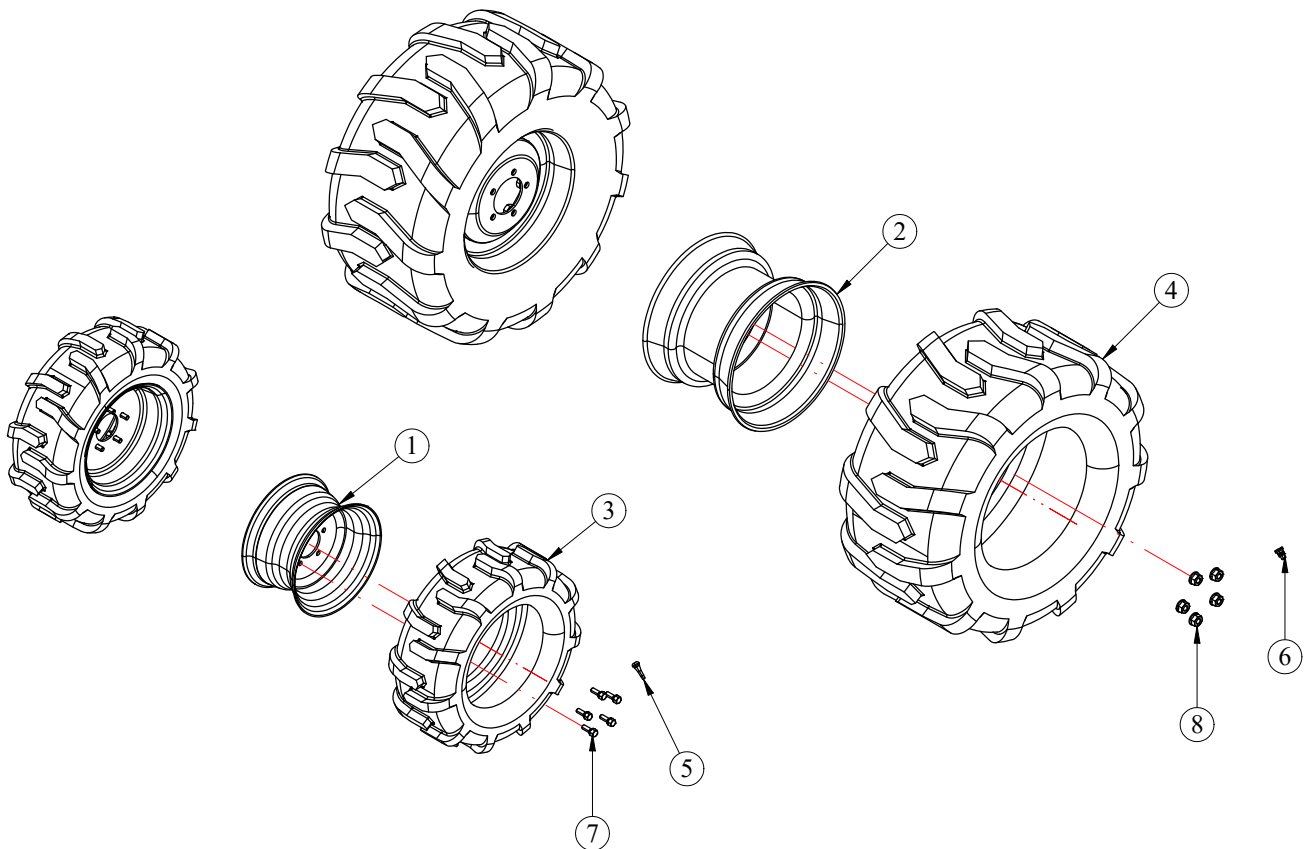


FRONT & REAR WHEEL ASSY (TURF)

MODEL :- 223 EU

ASSEMBLY NO. :- 11305631

SR. NO.	PART NO.	DESCRIPTION	QTY.	REMARKS
1	11402118	REAR TRACTOR WHEEL RIM - 16.5 X 12.00	2	
2	11402116	WHEEL RIM - 7.00 X 12	2	
3	11402112	TYRE 23 X 8.5-12 (TURF)	2	
4	11402114	TYRE 33 X 15.5-16.5 (TURF)	2	
5	11501144	HEX BOLT 1/2" UNF 20 TPI [10.9]	10	
6	11202778	NUT FLANGE HEADED, REAR WHEEL	10	
7	11402309	VALVE TR 414	2	
8	11402287	VALVE TR 618A	2	

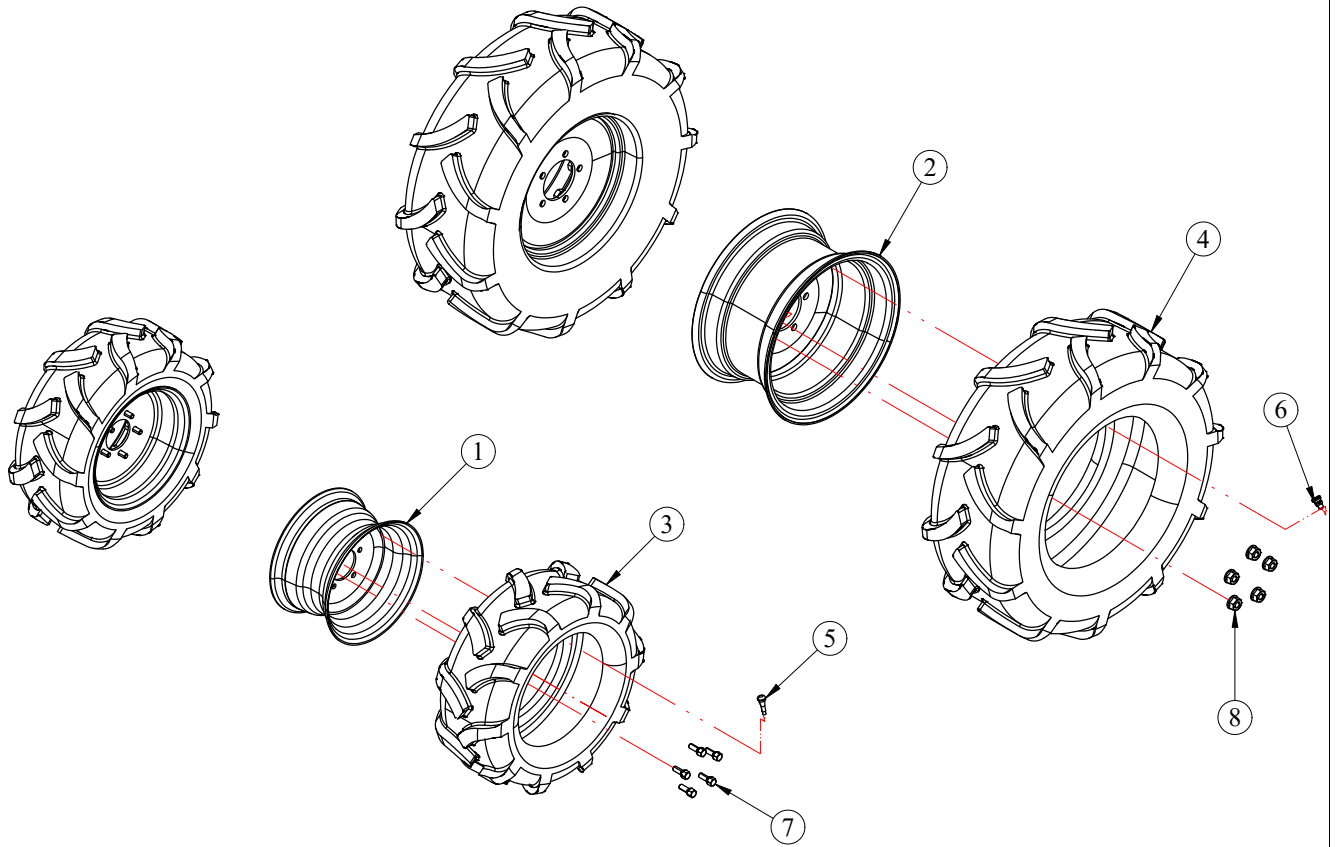


FRONT & REAR WHEEL ASSY (FLOTATION)

MODEL :- 223 EU

ASSEMBLY NO. :- 11305632

SR. NO.	PART NO.	DESCRIPTION	QTY.	REMARKS
1	11402116	WHEEL RIM - 7.00 X 12	2	
2	11402118	REAR TRACTOR WHEEL RIM - 16.5 X 12.00	2	
3	11402113	TYRE, 23x8.5-12 (FLOTATION)	2	
4	11404728	TYRE, 33x15.5-16.5 (FLOTATION)	2	
5	11402309	VALVE TR 414	2	
6	11402287	VALVE TR 618A	2	
7	11501144	HEX BOLT 1/2" UNF 20 TPI [10.9]	10	
8	11202778	NUT FLANGE HEADED, REAR WHEEL	10	

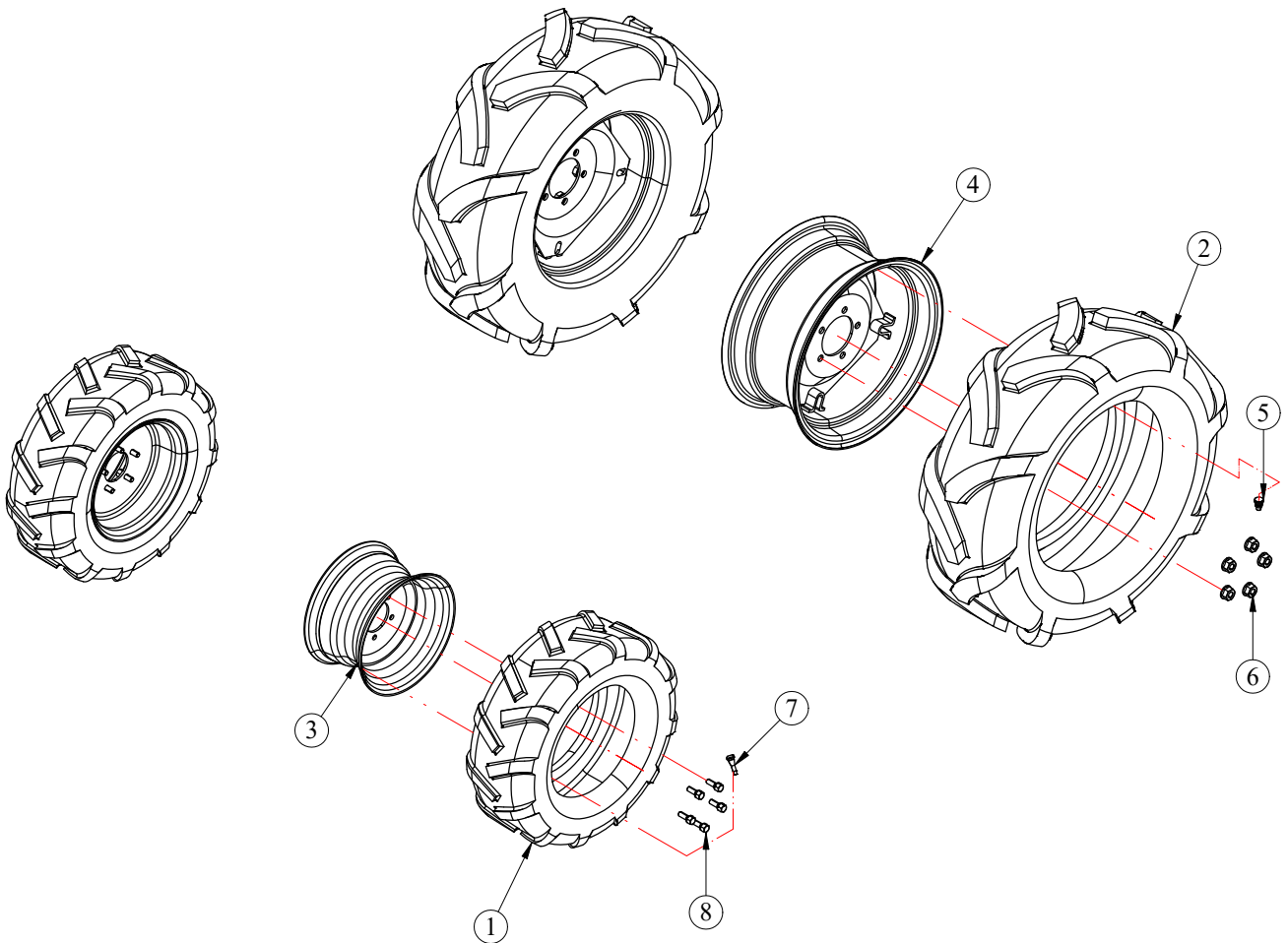


FRONT & REAR WHEEL ASSY (GARDEN GALAXY PRO)

MODEL :- 223 EU

ASSEMBLY NO. :- 11305633

SR. NO.	PART NO.	DESCRIPTION	QTY.	REMARKS
1	11402116	WHEEL RIM - 7.00 X 12	2	
2	11404853	WHEEL RIM -W9x16	2	
3	11404867	TYRE 220/55R12 (GALAXY GARDEN PRO)	2	
4	11404866	TYRE 280/70R16 (GALAXY GARDEN PRO)	2	
5	11402309	VALVE TR 414	2	
6	11402287	VALVE TR 618A	2	
7	11501144	HEX BOLT 1/2" UNF 20 TPI [10.9]	10	
8	11202778	NUT FLANGE HEADED, REAR WHEEL	10	

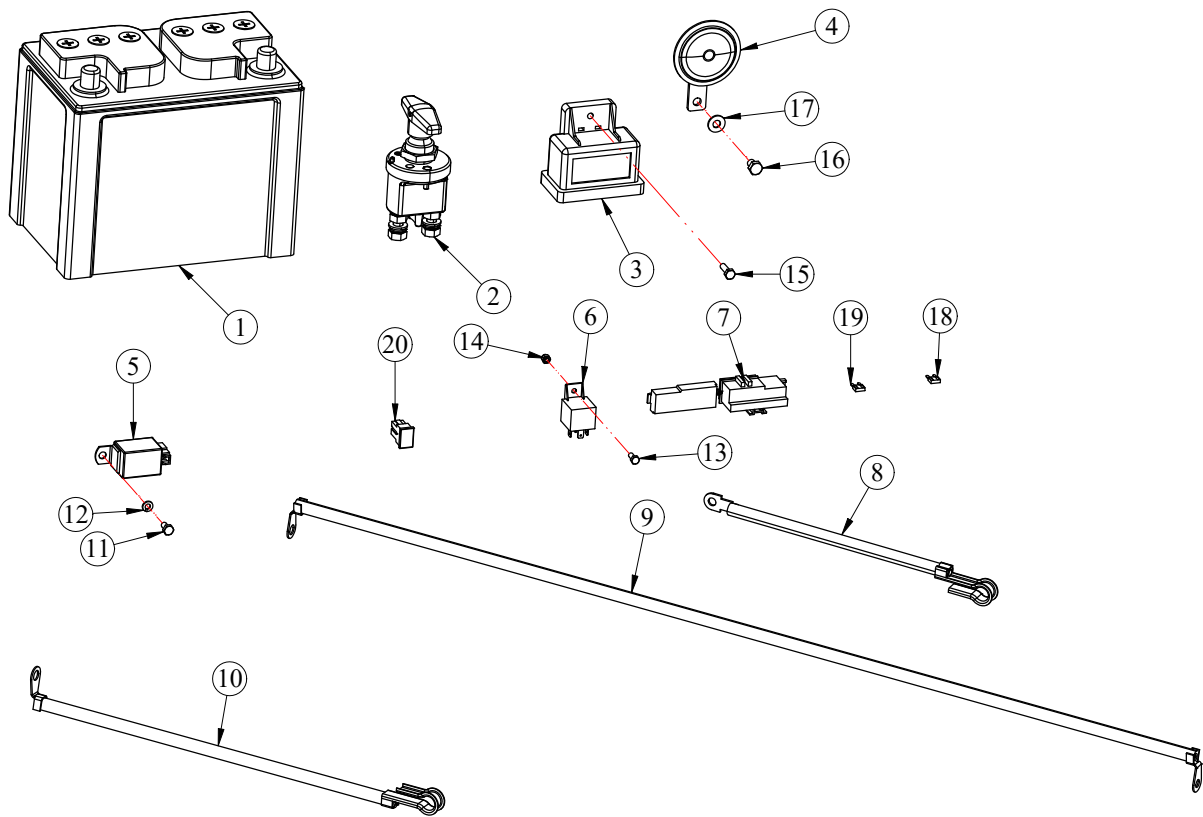


FRONT & REAR WHEEL ASSY (WIDER F- AGR)

MODEL :- 223 EU

ASSEMBLY NO. :- 11305634

SR. NO.	PART NO.	DESCRIPTION	QTY.	REMARKS
1	11405088	23x8.50-12 6PR BKT TR315 TL (Agri Wider F)	2	
2	11404726	280/70 AGRIMAX RT765 E 114A8/B (Agri Wider)	2	
3	11402116	WHEEL RIM - 7.00 X 12	2	
4	11404707	WHEEL RIM -W9x18	2	
5	11402287	VALVE TR 618A	2	
6	11202778	NUT FLANGE HEADED, REAR WHEEL	10	
7	11402309	VALVE TR 414	2	
8	11501144	HEX BOLT 1/2" UNF 20 TPI [10.9]	10	

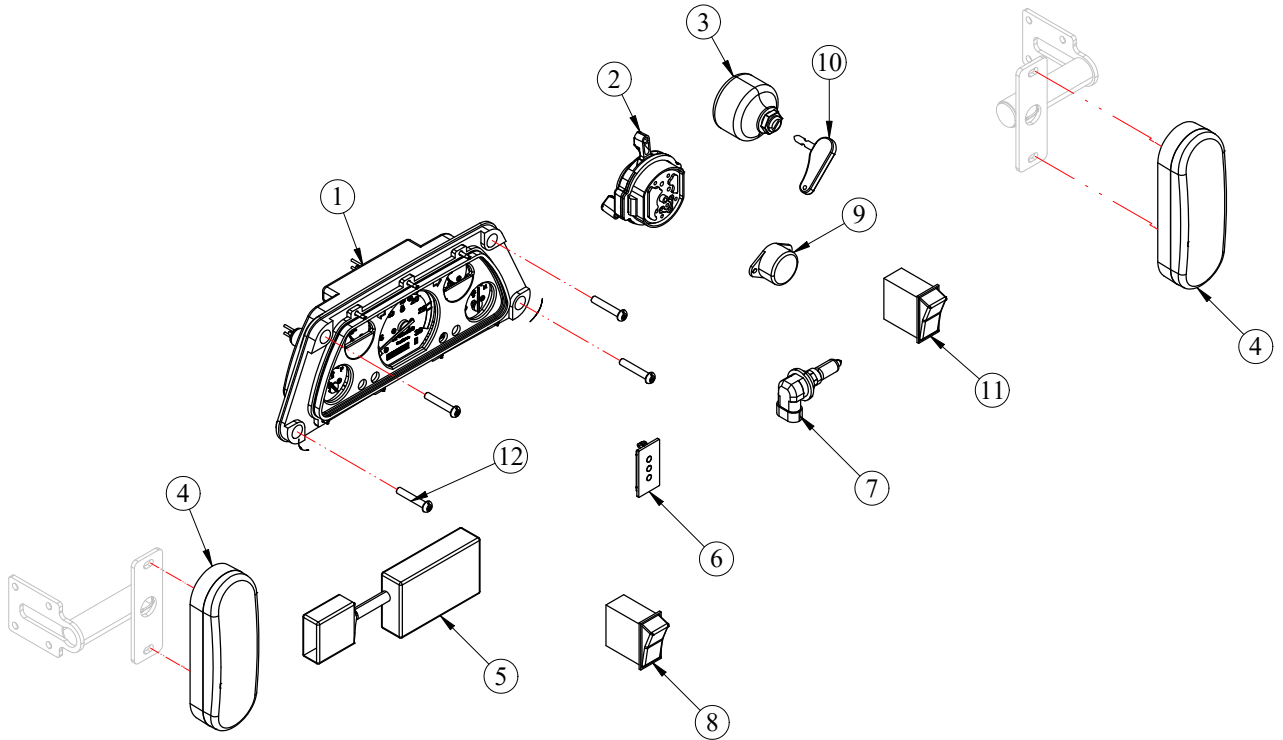


ELECTRICAL COMPONENT 1

MODEL :- 223 EU

ASSEMBLY NO. :- 11305557

SR. NO.	PART NO.	DESCRIPTION	QTY.	REMARKS
1	11400548	BATTERY 65A (FEF2-MFS70)	1	
2	11405170	BATTERY CUT-OFF SWITCH	1	
3	11404993	GLOW DURATION UNIT	1	
4	11401992	HORN 12V	1	
5	11405124	ELECTRONIC FLASHER-LED	1	
6	11404773	RELAY 70A	1	
7	11405005	9 POLE FUSE BOX ASSY.	1	
8	11402775	BATTERY CABLE SMALL	1	
9	11402516	BATTERY CABLE 1061L	1	
10	11402515	BATTERY CABLE 481 L	1	
11	11500484	HEX. BOLT M6 X 12 (F.T.)	1	
12	11500073	SPRING WASHER - 6 mm	1	
13	11501034	HEX. BOLT M5x12 (F.T.) 8.8	1	
14	11500931	NYLOCK HEX. NUT M5	1	
15	11500426	HEX. BOLT M6x20 (F.T.)8.8	1	
16	11500489	HEX BOLT M8 X 12 (F.T.)	1	
17	11501068	PLAIN WASHER Ø8.5XØ19X1.5	1	
18	11402200	FUSE BLADE TYPE (20 Amp)	1	
19	11402199	FUSE BLADE TYPE (15 Amp)	1	
20	11404793	FUSE 60A	1	

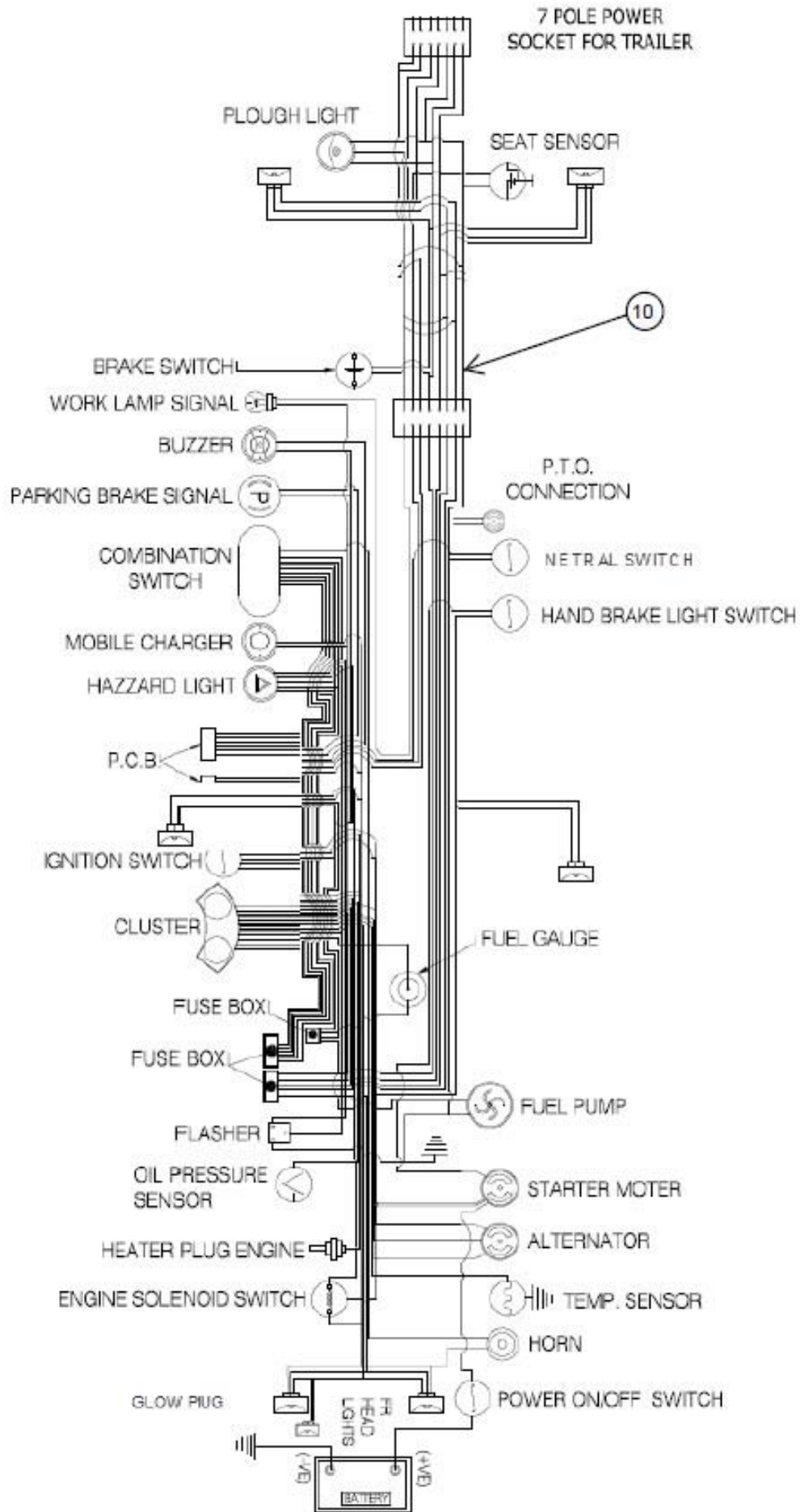


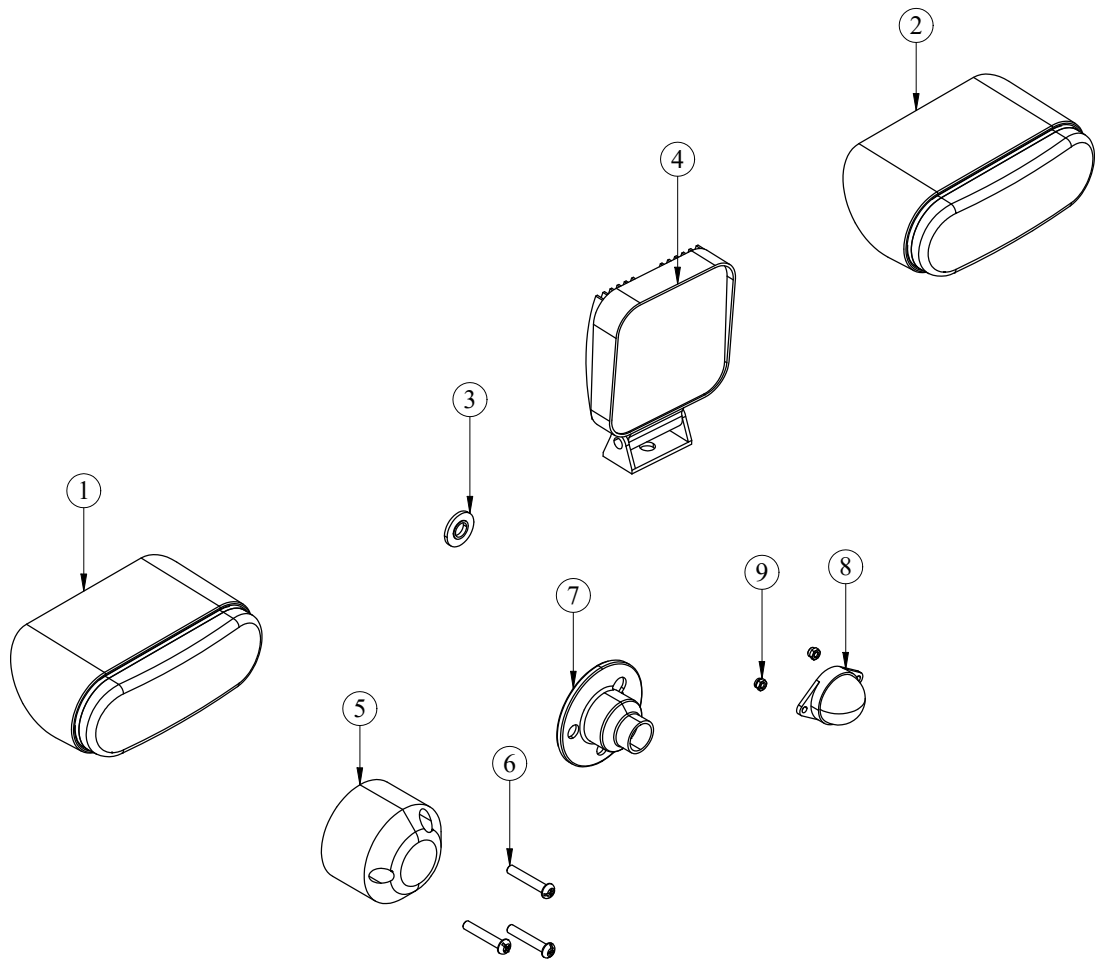
ELECTRICAL COMPONENT 2

MODEL :- 223 EU

ASSEMBLY NO. :- 11305558

SR. NO.	PART NO.	DESCRIPTION	QTY.	REMARKS
1	11402490	INSTRUMENT CLUSTER (273)	1	
2	11405408	PANEL MOUNTED COMBINATION SWITCH ASSEMBLY	1	
3	11401990	STARTER SWITCH ASSEMBLY	1	
4	11405080	FENDER LAMP ASSEMBLY - FRONT (LED)	2	
5	11205209	ELECTRONIC CONTROL UNIT(ETS-TYPE)	1	
6	11404730	LED INDICATOR	1	
7	11405372	BULB HB3 12V 60W	1	
8	11401988	HAZARD WARNING SWITCH ASSEMBLY	1	
9	11405138	BUZZER	1	
10	11201991	KEY (MOULDED) STARTER SWITCH	1	
11	11405541	WORK LAMP SWITCH	1	
12	11502176	SCREW M6 X 35	4	



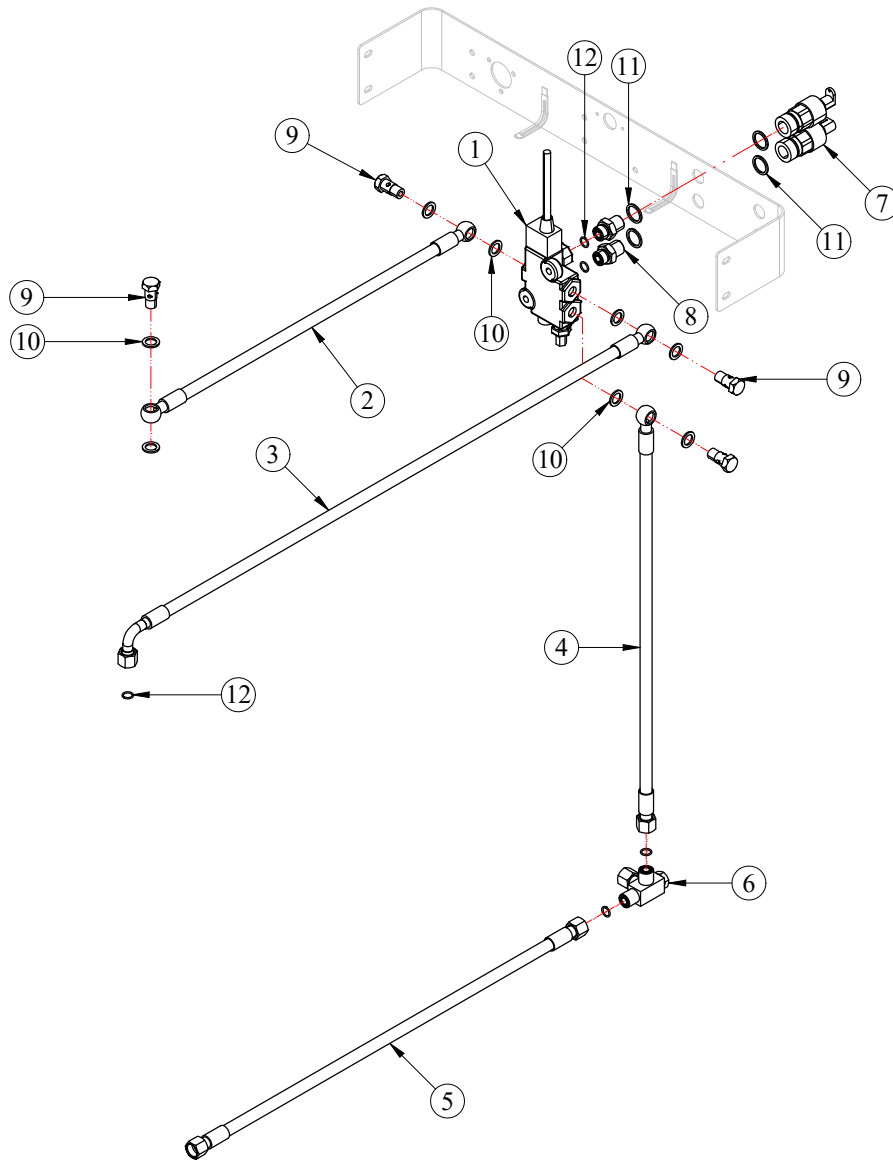


ELECTRICAL COMPONENT 3

MODEL :- 223 EU

ASSEMBLY NO. :- 11307679

SR. NO.	PART NO.	DESCRIPTION	QTY.	REMARKS
1	11405081	FENDER LAMP ASSEMBLY-REAR LH (LED)	1	
2	11405082	FENDER LAMP ASSEMBLY-REAR RH (LED)	1	
3	11205509	SPECIAL WASHER PLOUGH LIGHT MOUNTING	1	
4	11405204	LED PLOUGH LAMP ASSY.(12V)	1	
5	11400541	SEVEN PIN SOCKET	1	
6	11502176	SCREW M6 X 35	3	
7	11404768	RUBBER COVER SEVEN PIN SOCKET	1	
8	11402085	LICENSE LAMP PLATE 12V-10W	1	
9	11505137	NYLOCK HEX. NUT M4	2	
10	11406805	WIRING HARNESS ASSEMBLY	1	

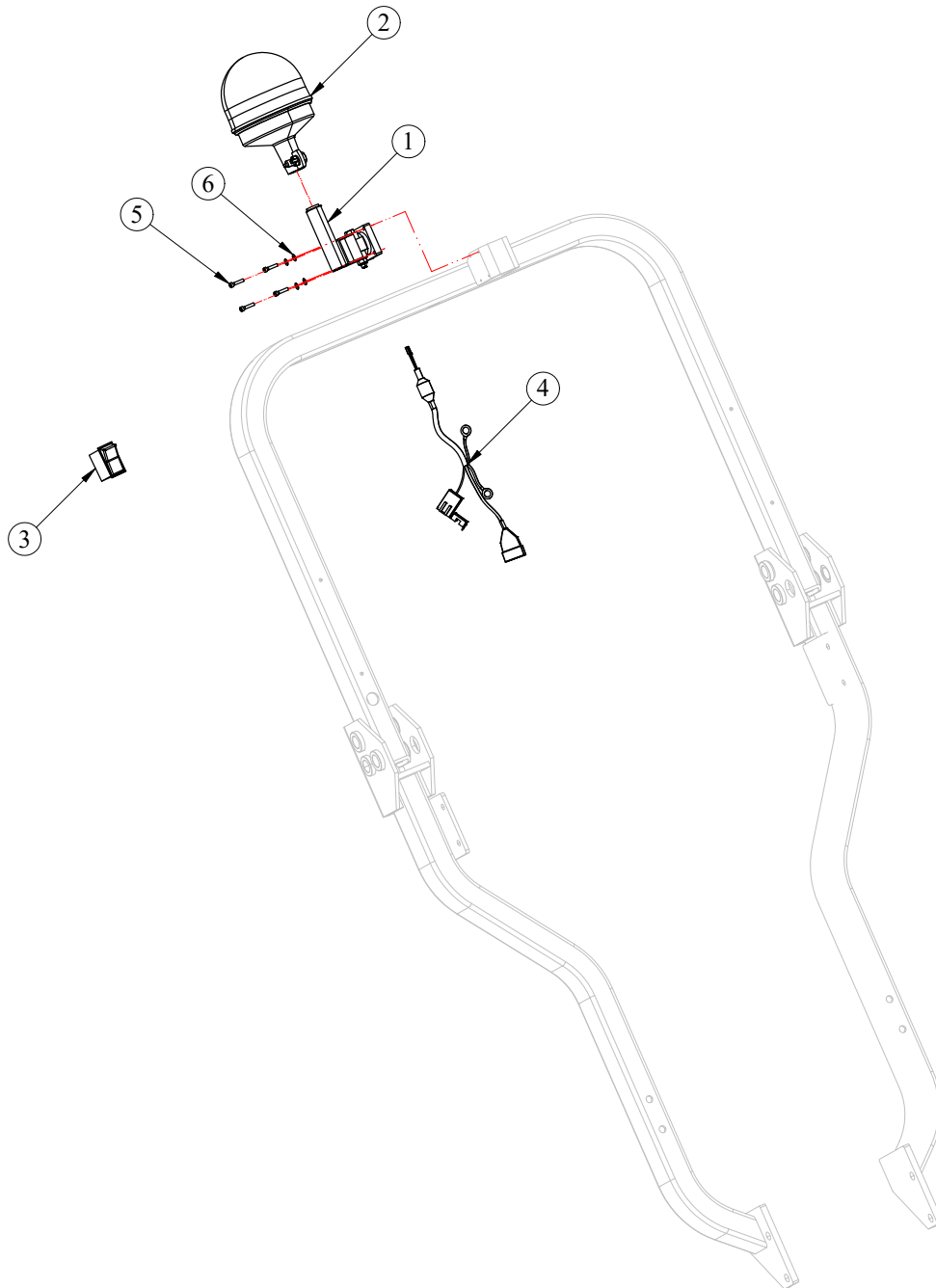


DIRCTION CONTROL VALVE -2

MODEL :- 223 EU

ASSEMBLY NO. :- 11305638

SR. NO.	PART NO.	DESCRIPTION	QTY.	REMARKS
1	11205534	HYDRAULIC DISTRIBUTER VALVE SECONDARY (5K)	1	
2	11205330	PIPE-DC1 TO DCV2	1	
3	11205331	PIPE- DCV 2 TO LIFT	1	
4	11205726	PIPE-DCV-2 TO T-NIPPLE	1	
5	11205727	PIPE-PRIMARY PIPE STEERING TO T NIPPLE	1	
6	11205641	T-NIPPLE	1	
7	11202334	FEMALE QRC	2	
8	11205327	NIPPLE 1/2" BSP X 13/16" UN	2	
9	11502336	BANJO BOLT 3/8	4	
10	11402783	DOWTY SEAL 3/8	8	
11	21504542	DOWTY SEAL 1/2	4	
12	11205329	O-RING 12.42X1.78	5	

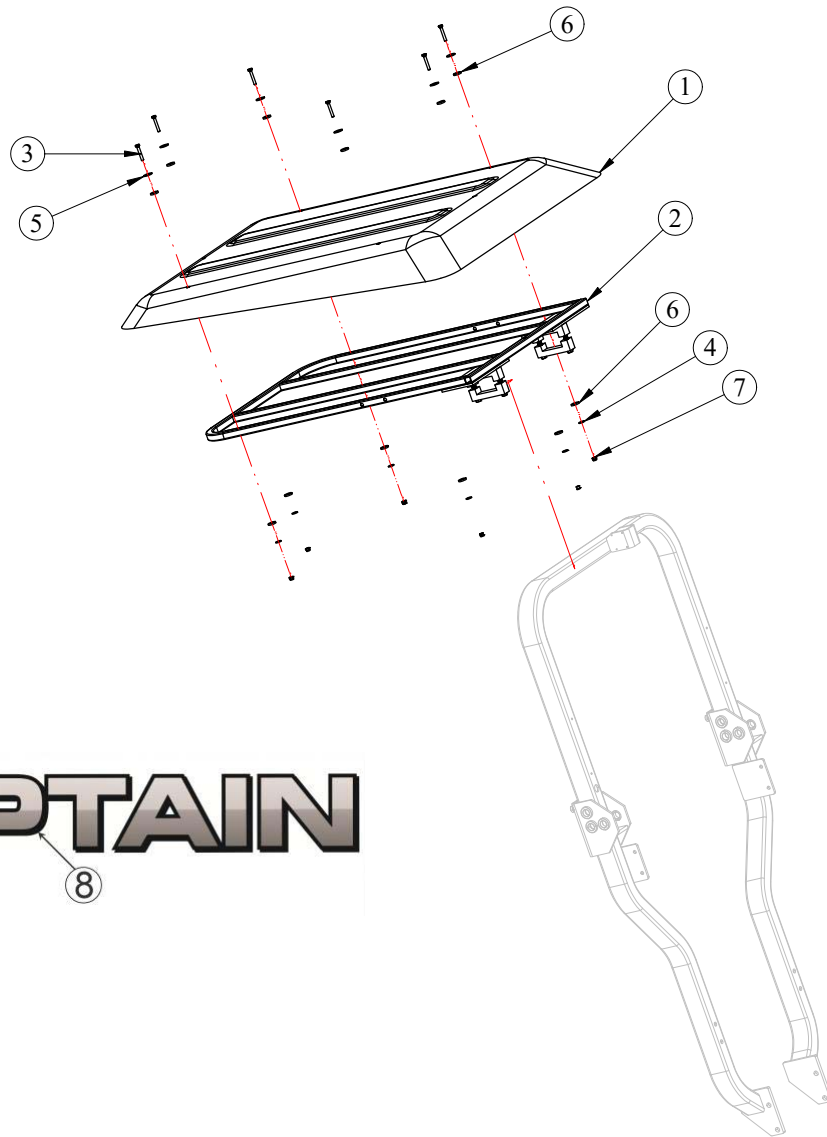


BEACON LAMP ASSEMBLY

MODEL :- 223 EU

ASSEMBLY NO. :- 11305635

S.R. NO.	PART NO.	DESCRIPTION	QTY.	REMARKS
1	11403057	MOUNTING STAND ASSY. (BEACON LAMP)	1	
2	11402084	BEACON LAMP ASSEMBLY	1	
3	11403161	SWITCH BEACON LAMP	1	
4	11403164	WIRING HARNESS ASSEMBLY	1	
5	11503159	ALLEN BOLT M4x20	4	
6	11503166	PLAIN WASHER Ø4 x Ø10 x 0.5	4	



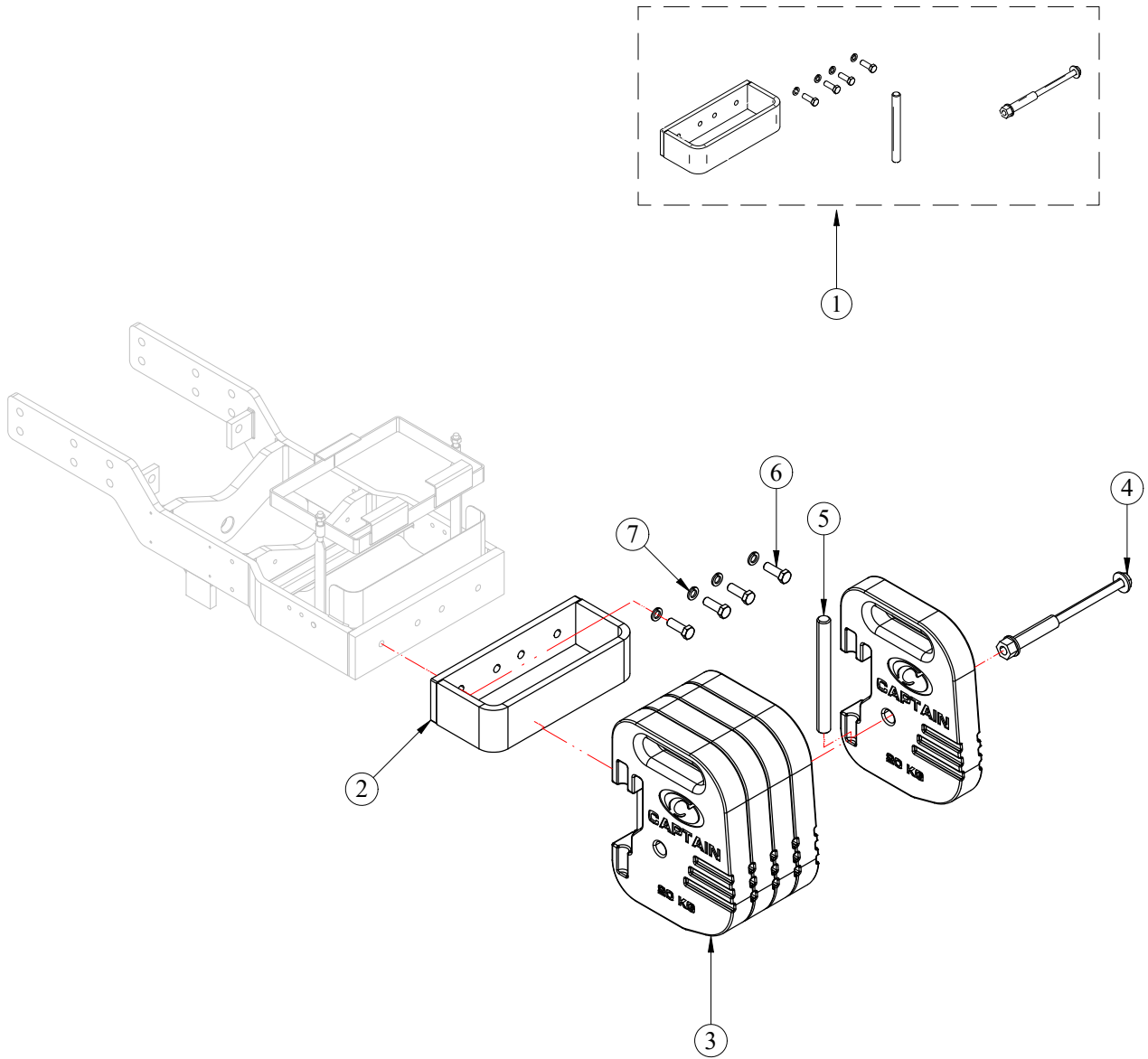
CAPTAIN
8

CANOPY FRAME ASSEMBLY

MODEL :- 223 EU

ASSEMBLY NO. :- 11305637

SR. NO.	PART NO.	DESCRIPTION	QTY.	REMARKS
1	10901915	CANOPY	1	
2	11205601	FRAME CANOPY MOUNTING	1	
3	11501077	HEX. BOLT M6x40 (F.T.) 8.8	6	
4	11501015	PLAIN WASHER Ø6.5xØ15x1.5	6	
5	11500485	PLAIN WASHER Ø6.5 X Ø23 X 1.5	6	
6	11201535	RUBBER WAHSER Ø9xØ22x3.5	12	
7	11500947	NYLOCK NUT M6	6	
8	11202093	DECALS, 2D CAPTAIN	2	

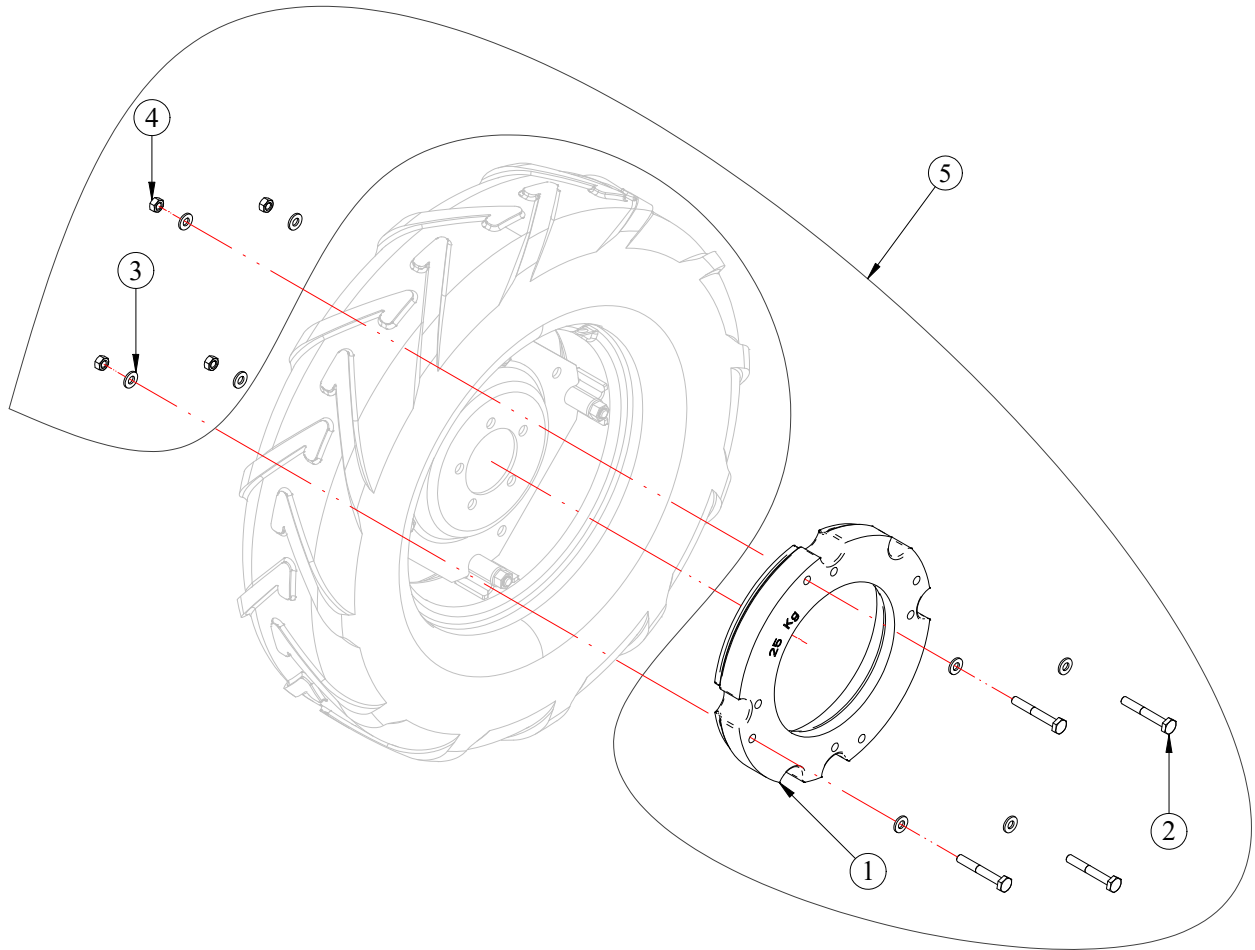


FRONT WEIGHT ASSEMBLY

MODEL :- 223,223 NT,223 EU

ASSEMBLY NO. :- 11305636

SR. NO.	PART NO.	DESCRIPTION	QTY.	REMARKS
1	11304856	FRAME,FRONT WEIGHT ASSEMBLY 273	1	
2	11203142	FRAME ,FRONT WEIGHT (273)	1	
3	10902167	FRONT WEIGHT (20KG)	5	
4	10902169	ADJUSTABLE LOCKING BOLT	1	
5	10902168	ROD LOCKING (FRONT WEIGHT)	4	
6	11500768	HEX BOLT M12X35 (F.T.) [10.9]	4	
7	11500118	SPRING WASHER 12 mm	4	

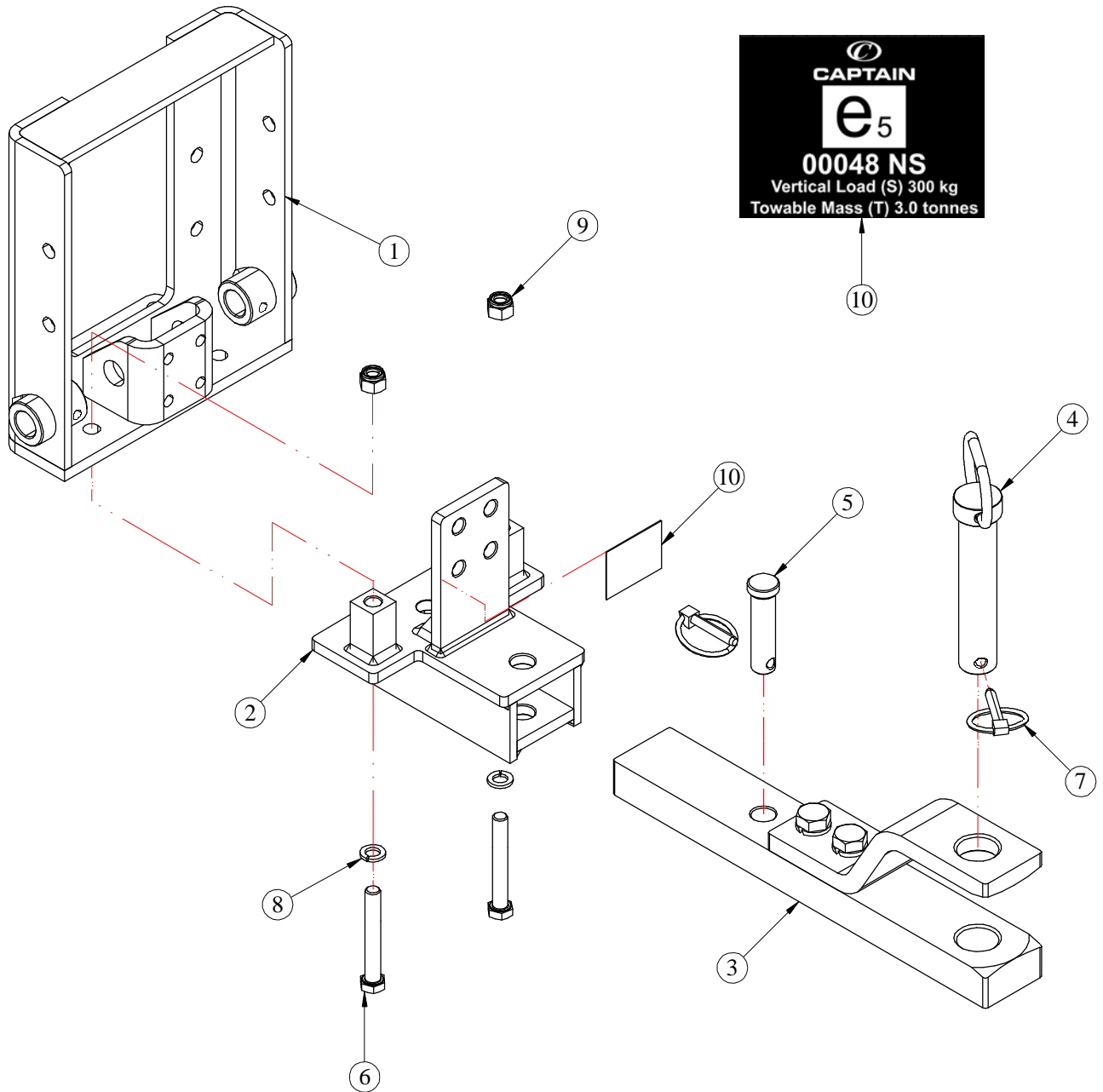


REAR WHEEL WIEGHT ASSEMBLY

MODEL :- 223,223 NT,223 EU

ASSEMBLY NO. :- 11305746

SR. NO.	PART NO.	DESCRIPTION	QTY.	REMARKS
1	10900698	WHEEL WEIGHT REAR	2	
2	11500404	BOLT M12X90	8	
3	11500080	PLAIN WASHER Ø12.5xØ26x3	16	
4	11500117	HEX NUT M12	8	
5	11304861	REAR WEIGHT ASSEMBLY	1	



TOW HOOK ASSEMBLY

MODEL :- 223 EU

ASSEMBLY NO. :- 11307698

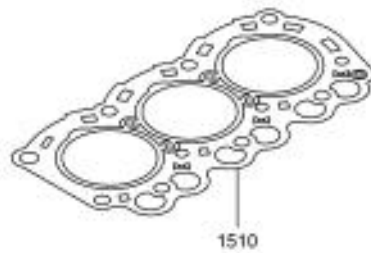
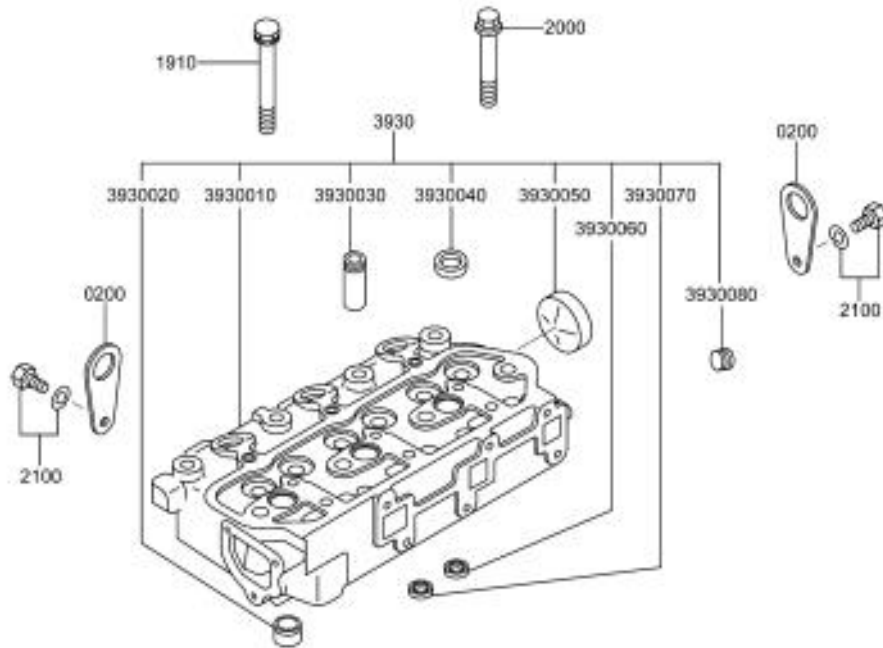
SR. NO.	PART NO.	DESCRIPTION	QTY.	REMARKS
1	11205105	BRACKET, LOWER LINK	1	
2	11207265	BRACKET TOW HOOK	1	
3	11207264	TOW HOOK	1	
4	11206643	HITCH PIN REAR COUPLE	1	
5	11207622	HITCH PIN TOW HOOK	1	
6	11507743	HEX BOLT M12X85 (H.T)- GRADE-10.9	2	
7	11200590	LINCH PIN	2	
8	11500118	SPRING WASHER 12 mm	2	
9	11501024	NYLOCK HEX. NUT M12	2	
10	11207742	DECAL REAR COUPLING	1	

CONTENTS

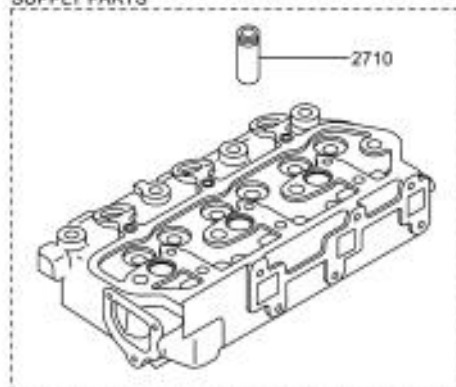
Sr. No.	Group Name	Page No.
ENGINE BODY		
1	CYLINDER HEAD	104
2	VALVE DRIVE	106
3	ROCKER COVER	108
4	CAMSHAFT	110
5	CRANKCASE	112
6	CRANKSHAFT BEARING	114
7	GEAR OR CHAIN CASE	116
8	GEAR OR CHAIN CASE;D	118
9	FLYWHEEL HOUSING	120
10	OIL PAN	122
11	ENGINE SUPPORT	124
12	PISTON	126
13	CONNECTING ROD	128
14	CRANKSHAFT	130
15	FLYWHEEL:D	132
16	FRONT PTO	134
INLET SYSTEM		
17	INLET SYSTEM.....	136
OIL SYSTEM		
18	OIL SCREEN	138
19	OIL FILLER & GAGE UNIT.....	140
20	OIL FILTER	142
21	OIL FILLER & GAGE.....	144
22	BREATHER	146
COOLING SYSTEM		
23	WATER PUMP	148
24	THERMOSTAT	150
25	WATER HOSE & PIPE	152
26	WATER TEMPERATURE GAGE UNIT	154
27	FAN	156
28	DRIVE BELT	158

CONTENTS

Sr. No.	Group Name	Page No.
FUEL SYSTEM		
29	FUEL PUMP	160
30	NOZZLE	162
31	FUEL INJECTION PIPE	164
32	FUEL PIPE	166
33	FUEL FILTER	168
34	FUEL FILTER;D	170
35	GOVERNOR	172
36	INJECTION PUMP	174
37	FUEL INJECTION PUMP DRIVE	176
STARTING SYSTEM		
38	STARTER(12V-1.2KW)	178
39	GLOW PLUG	180
40	GENERATOR	182
41	REGULATOR;D	184
CONTROL SYSTEM		
42	SPEED CONTROL	186
SPARE PARTS		
43	OVERHAUL GASKET KIT.....	188



SUPPLY PARTS



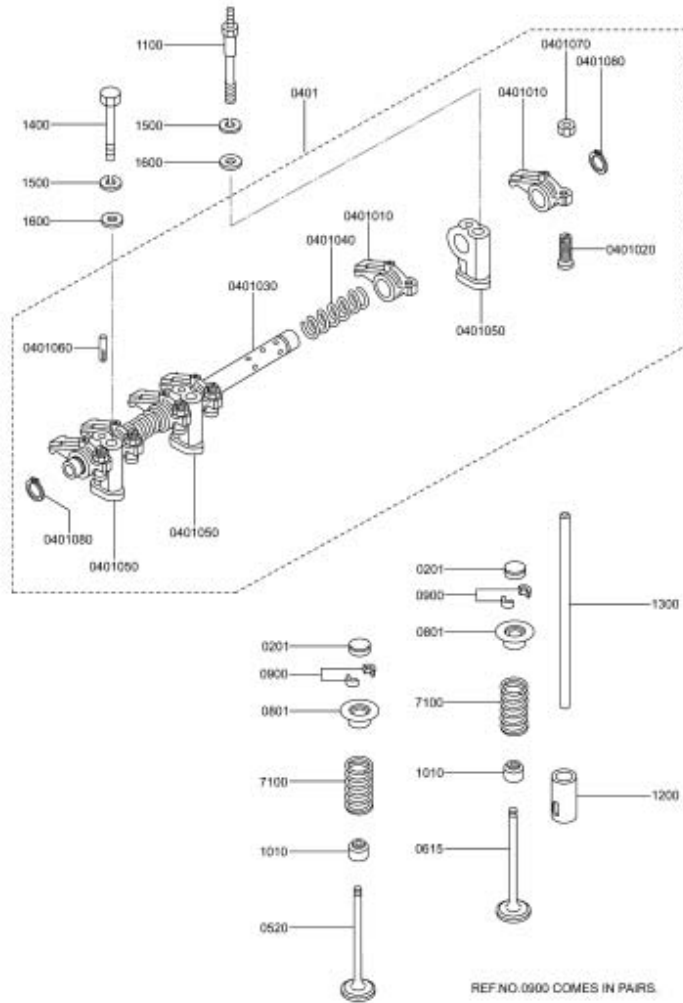
CYLINDER HEAD

Ref. No	Part No	Part Name	Description	Qty
0200	39207822	HANGER,ENGINE		2
1510	39207823	GASKET,CYLINDER HEAD		1
1910	39207824	BOLT,CYLINDER HEAD		8
2000	39207825	BOLT,FLANGE		3
2100	39207384	BOLT,W/WASHER	B/W	2
2710	39207826	GUIDE,VALVE	FINISHED	6
3930	39207827	HEAD ASSY,CYLINDER		1
3930010	39207828	HEAD,CYLINDER		1
3930020	39207829	MOUTH PIECE		3
3930030	39207830	GUIDE,VALVE	SEMIFINISHED	6
3930040	39207378	CAP,SEALING		3
3930050	39207831	CAP,SEALING		1
3930060	39207832	RING,VALVE SEAT	INTAKE	3
3930070	39207833	RING,VALVE SEAT	EXHAUST	3
3930080	39207398	PLUG,TAPERED		1

- 4 -

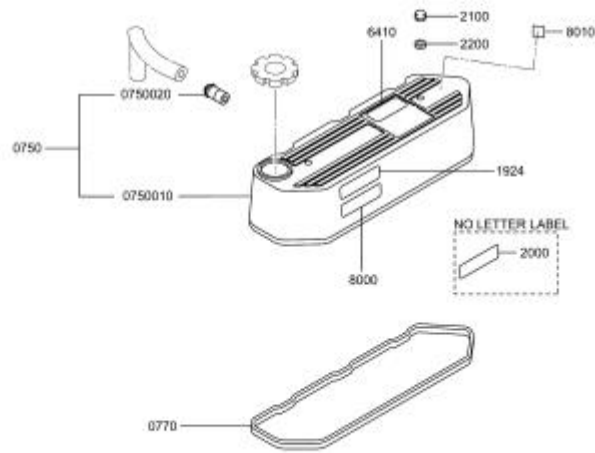
P4N01-040

VALVE DRIVE



VALVE DRIVE

Ref. No	Part No	Part Name	Description	Qty
0201	39207834	CAP,VALVE STEM		6
0401	39207835	ROCKER ARM & STAY ASSY		1
0401010	39207836	ARM,ROCKER		6
0401020	39207837	SCREW,ADJUSTING		6
0401030	39207838	SHAFT ASSY,ROCKER		1
0401040	39207839	SPRING,ROCKER SHAFT		2
0401050	39207840	STAY,ROCKER		3
0401060	39207841	PIN,GROOVED		1
0401070	39207842	NUT		6
0401080	39207843	RING,SNAP		2
0520	39207844	VALVE,INTAKE		3
0615	39207845	VALVE,EXHAUST		3
0801	39207496	RETAINER,VALVE		6
0900	39205723	LOCK,VALVE SPRING		12
1010	39204454	SEAL,VALVE STEM		6
1100	39207846	BOLT,ROCKER STAY		2
1200	39207847	TAPPET		6
1300	39207848	ROD,PUSH		6
1400	39207849	BOLT		1
1500	39207370	WASHER,SPRING		3
1600	39207850	WASHER,PLAIN		3
7100	39207851	SPRING,VALVE		6



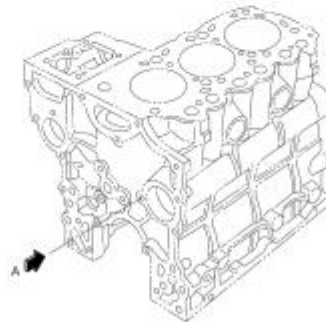
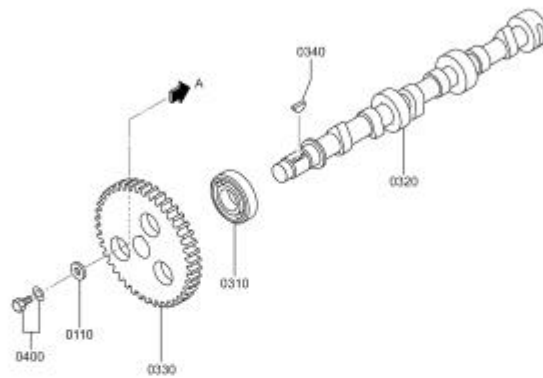
ROCKER COVER

Ref. No	Part No	Part Name	Description	Qty
0750	39207852	COVER ASSY,ROCKER		1
750010	39207853	COVER,ROCKER		1
750020	39207854	PIPE,BREATHER		1
770	39207855	GASKET,ROCKER COVER		1
1924	39207856	LABEL,SERIAL NO.		1
2000	39207825	LABEL,BLANK		AR
2100	39207384	NUT,CAP		2
2200	39207859	WASHER,PLAIN		2
6410	39207860	LABEL,EU,N		1
8000	39207861	LABEL,MFG		1
8010	39207862	LABEL,ROHS		1

- 8-

P4N01-050

CAMSHAFT



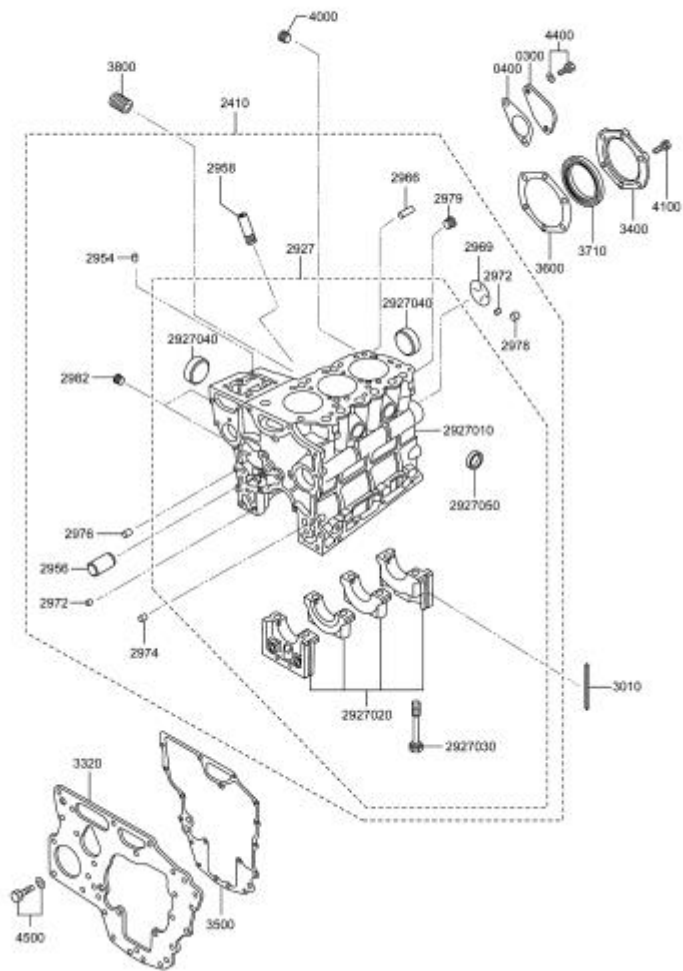
CAMSHAFT

Ref. No	Part No	Part Name	Description	Qty
0110	39207863	WASHER,CAMSHAFT STOP		1
310	39207864	BEARING,BALL		1
320	39207865	CAMSHAFT		1
330	39207866	GEAR,CAMSHAFT	Z=52	1
340	39207867	KEY,WOODRUFF		1
400	39207868	BOLT,W/WASHER	B/W	1

- 10-

P4N01-070

CRANKCASE



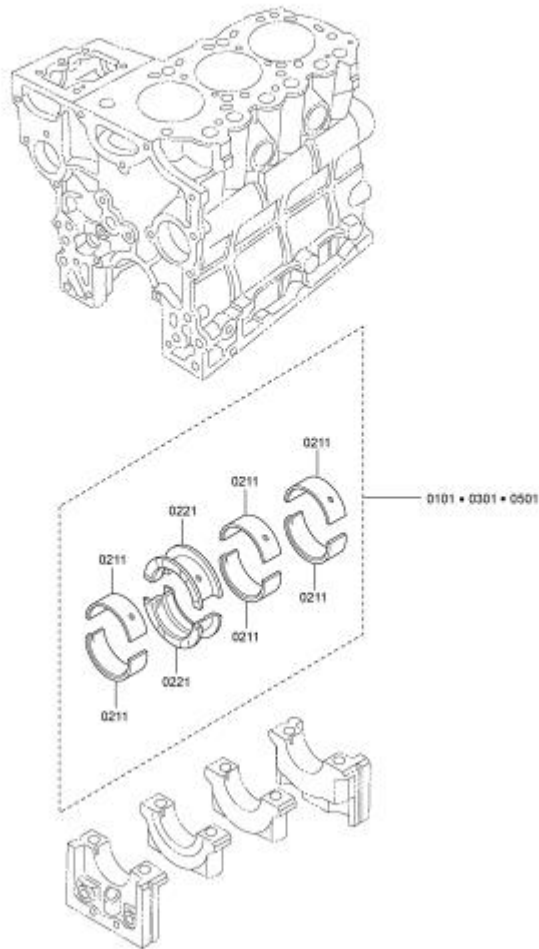
CRANKCASE

REF.NO.	PART NO.	PART NAME	DESCRIPTION	QTY
0300	39207869	COVER		1
400	39207868	GASKET		1
2410	39207871	BLOCK ASS,CYLINDER		1
2927	39207872	BLOCK SUB ASSY,CYLINDER		1
2927010	39207873	BLOCK,CYLINDER		1
2927020	39207874	CAP ASSY,BEARING		1
2927030	39207875	BOLT,BEARING CAP		8
2927040	39207831	CAP,SEALING		3
2927050	39207379	CAP,SEALING		2
2954	39207489	PIN,DOWEL		2
2956	39207877	SHAFT,IDLER		1
2958	39207424	GUIDE,OIL LEVEL GAGE		1
2966	39207491	PIN,DOWEL		1
2969	39207878	PLUG,EXPANSION		1
2972	39207879	BUSHING,KNOCK		2
2974	39207880	BUSHING,KNOCK		1
2976	39207493	BUSHING,KNOCK		2
2978	39207881	BUSHING,KNOCK		3
2979	39207882	PLUG,TAPERED		1
2982	39207398	PLUG,TAPERED		3
3010	39207883	SEAL,SIDE		4
3320	39207884	PLATE,FRONT		1
3400	39207885	CASE,OIL SEAL		1
3500	39207886	GASKET,FRONT PLATE		1
3600	39207887	GASKET,OIL SEAL CASE		1
3710	39207888	SEAL,OIL	REAR	1
3800	39207420	SHAFT,OIL FILTER		1
4000	39207410	PLUG,TAPERED		1
4100	39207889	BOLT		6
4400	39207890	BOLT,W/WASHER	B/W	2
4500	39207374	BOLT,W/WASHER	B/W	7

- 12-

P4N01-090

CRANKSHAFT BEARING



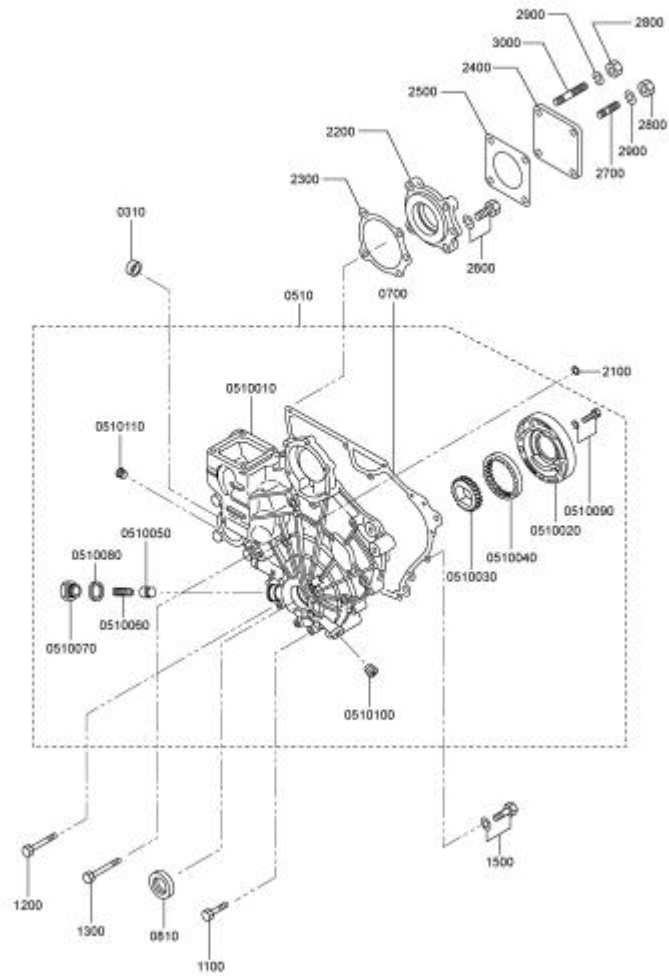
CRANKCASE BEARING

Ref. No	Part No	Part Name	Description	Qty
0101	39207891	BEARING SET,MAIN		1
0211	39207892	BEARING,MAIN		6
0221	39207893	BEARING,MAIN		2
0301	39207894	BEARING SET,MAIN	U.S. 0.25	1
0501	39207895	BEARING SET,MAIN	U.S. 0.50	1

- 14 -

P4N01-110

GEAR OR CHAIN CASE



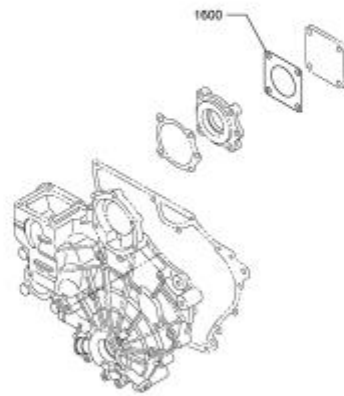
GEAR OR CHAINCASE

REF.NO.	PART NO.	PART NAME	DESCRIPTION	MODEL
0310	39207896	CPA,SEALING		1
510	39207897	CASE ASSY,GEAR		1
510010	39207898	CASE SUB ASSY,GEAR		1
510020	39207899	HOUSING,OIL PUMP		1
510030	39207900	GEAR,OIL PUMP	INNER	1
510040	39207901	GEAR,OIL PUMP	OUTER	1
510050	39207902	PLUNGER		1
510060	39207903	SPRING,RELIEF		1
510070	39207904	PLUG		1
510080	39207905	GASKET		1
510090	39207383	BOLT,W/WASHER	B/W	3
510100	39207398	PLUG,TAPERED		1
510110	39207906	PLUG,TAPERED		1
700	39207907	GASKET,GEAR CASE		1
810	39207908	SEAL,OIL		1
1100	39207909	BOLT		3
1200	39207910	BOLT		4
1300	39207910	BOLT		1
1500	39207374	BOLT,W/WASHER	B/W	4
2100	39207912	O-RING		2
2200	39207913	HOUSING,GEAR PUMP		1
2300	39207914	GASKET,HOUSING		1
2400	39207455	COVER,OIL PUMP SHAFT		1
2500	39207915	GASKET,OIL PUMP COVER		1
2600	39207916	BOLT,W/WASHER	B/W	1
2700	39207418	STUD	8X22	1
2800	39207368	NUT		4
2900	39207370	WASHER,SPRING		4
3000	39207917	STUD	8X42	3

- 16-

P4N01-111

GEAR OR CHAIN CASE:D



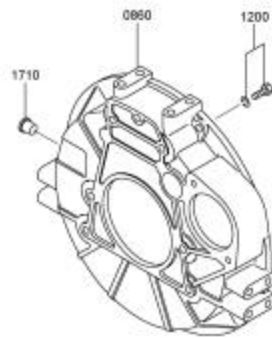
GEAR OR CHAINCASE; D

Ref. No	Part No	Part Name	Description	Qty
1600	39207915	GASKET, OIL PUMP COVER		2

- 18-

P4N01-120

FLYWHEEL HOUSING



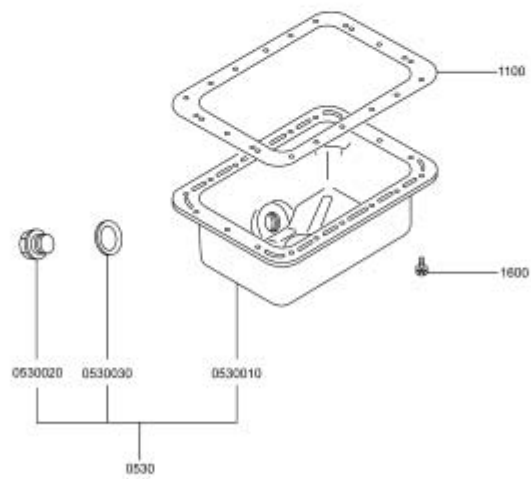
FLYWHEEL HOUSING

Ref. No	Part No	Part Name	Description	Qty
0860	39207919	HOUSING,FLYWHEEL		1
1200	39207920	BOLT,W/WASHER	B/W	6
1710	39207921	PLUG		1

- 20-

P4N01-130

OIL PAN



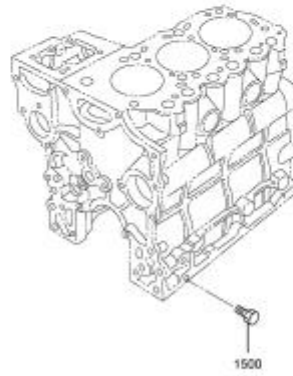
OIL PAN

Ref. No	Part No	Part Name	Description	Qty
0530	39207922	PAN ASSY,OIL		1
0530010	39207923	PAN SUB ASSY,OIL		1
0530020	39207924	PLUG,OIL DRAIN		1
0530030	39207905	GASKET,OIL DRAIN		1
1100	39207926	GASKET,OIL PAN		1
1600	39207868	BOLT,W/WASHER	B/W	18

- 22-

P4N01-140

ENGINE SUPPORT



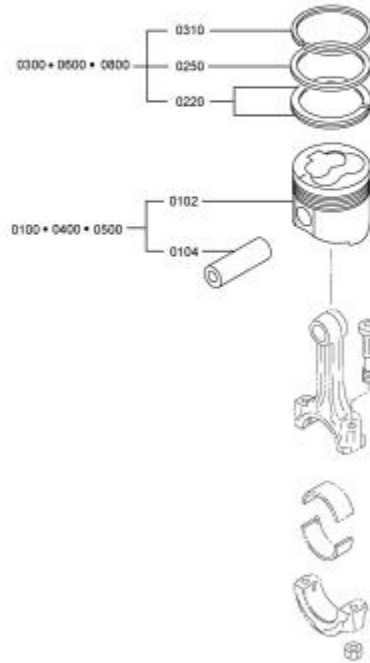
ENGINE SUPPORT

Ref. No	Part No	Part Name	Description	Qty
1500	39207928	BOLT		4

- 24-

P4N01-170

PISTON



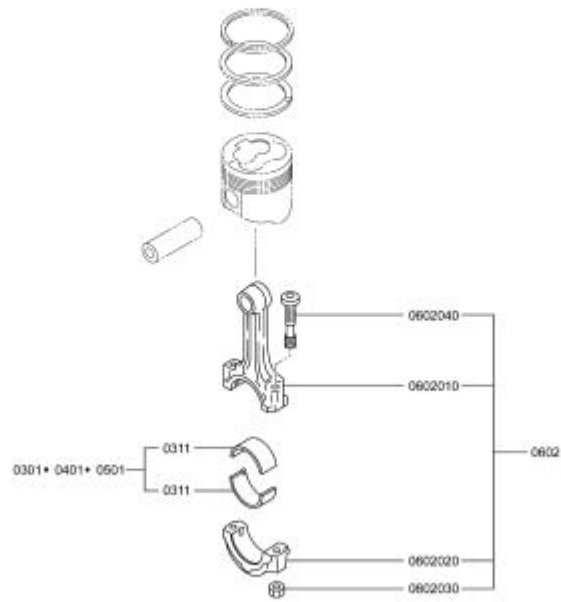
PISTON

Ref. No	Part No	Part Name	Description	Qty
0100	39207929	PISTON & PIN SET		3
0102	39207930	PISTON		3
0104	39207931	PIN,PISTON		3
0220	39207932	RING ASSY,OIL		3
0250	39207933	RING,PISTON	NO.2	3
0300	39207934	RING SET,PISTON		3
0310	39207864	RING,PISTON	NO.1	3
0400	39207868	PISTON & PIN SET	O.S 0.25	3
0500	39207937	PISTON & PIN SET	O.S 0.50	3
0600	39207938	RING SET,PISTON	O.S 0.25	3
0800	39207939	RING SET,PISTON	O.S 0.50	3

- 26-

P4N01-190

CONNECTING ROD



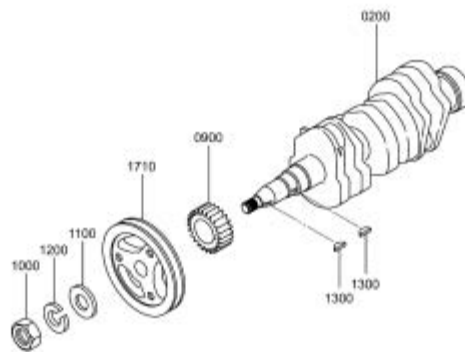
CONNECTING ROD

Ref. No	Part No	Part Name	Description	Qty
0301	39207894	BEARING SET,CON-ROD		3
0311	39207941	BEARING,CON-ROD		6
0401	39207942	BEARING SET,CON-ROD	U.S 0.25	3
0501	39207943	BEARING SET,CON-ROD	U.S 0.50	3
0602	39207944	ROD ASSY,CONNECTING		3
0602010	39207945	ROD,CONNECTING		3
0602020	39207946	CAP,CONNECTING ROD		3
0602030	39207947	BOLT,CONNECTING ROD		6
0602040	39207948	NUT,CONNECTING ROD		6

- 28-

P4N01-200

CRANKSHAFT



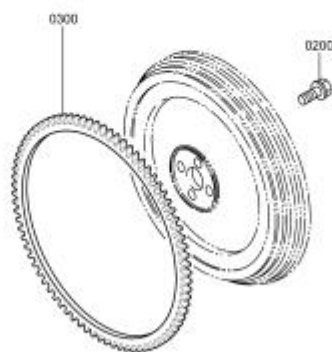
CRANKSHAFT

Ref. No	Part No	Part Name	Description	Qty
0200	39207949	CRANKSHAFT		1
900	39207950	GEAR,CRANKSHAFT	Z=26	1
1000	39207951	NUT,JAM		1
1100	39207952	WASHER,PLAIN		1
1200	39207953	WASHER,SPRING		1
1300	39207867	KEY,WOODRUFF		2
1710	39207955	PULLEY,CRANKSHAFT		1

- 30-

P4N01-211

FLYWHEEL:D



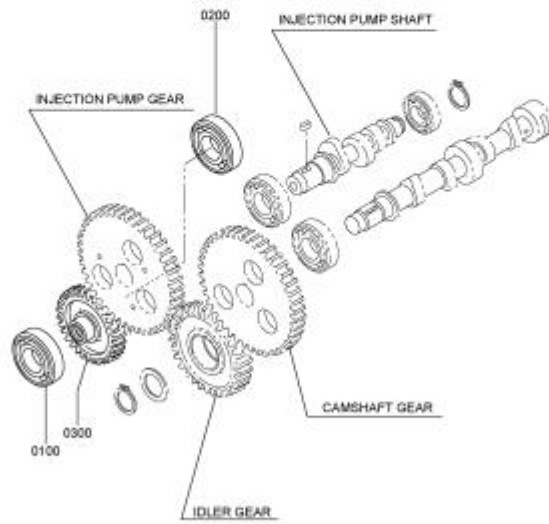
FLYWHEEL; D

Ref. No	Part No	Part Name	Description	Qty
0200	39207956	BOLT,FLYWHEEL		4
0300	39207957	GEAR,RING		1

- 32-

P4N01-260

FRONT PTO



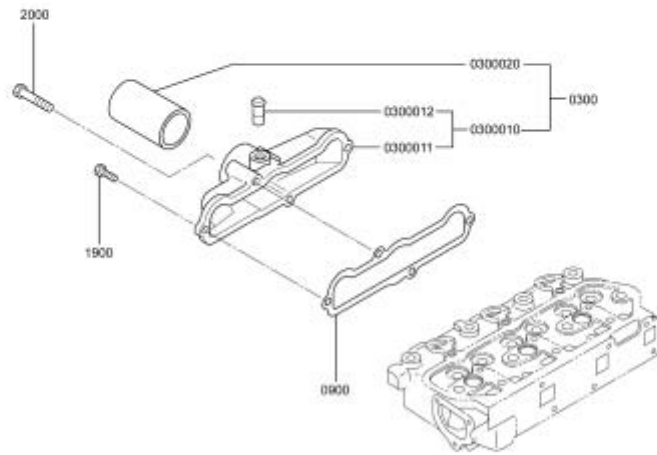
FRONT PTO

Ref. No	Part No	Part Name	Description	Qty
0100	39207864	BEARING,BALL		1
0200	39207959	BEARING,BALL		1
0300	39207960	GEAR,PRESSURE	Z=30	1

- 34-

P4N01-300

INLET SYSTEM



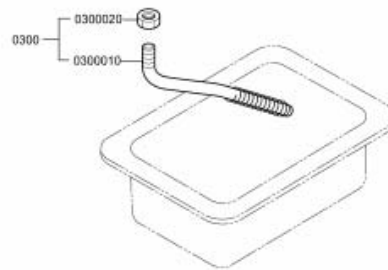
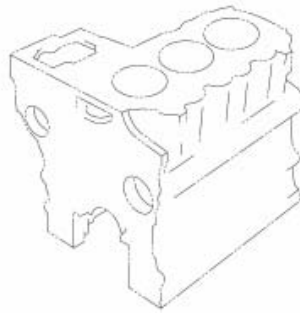
INLET SYSTEM

Ref. No	Part No	Part Name	Description	Qty
0300	39207961	COVER ASSY,INTAKE		1
0300010	39207962	COVER SUB ASSY		1
0300011	39207963	COVER,INTAKE		1
0300012	39207964	PIPE,BREATHER		1
0300020	39207965	PIPE,INLET		1
0900	39207966	GASKET,INTAKE		1
1900	39207967	BOLT		2
2000	39207968	BOLT		2

- 42-

P4N01-360

OIL SCREEN



OIL SCREEN

Ref. No	Part No	Part Name	Description	Qty
0300	39207969	SCREEN ASSY, OIL		1
300010	39207962	SCREEN,OIL		1
300020	39207971	NUT,JAM		1

- 44-

P4N01-364

OIL PRESSURE GAGE UNIT



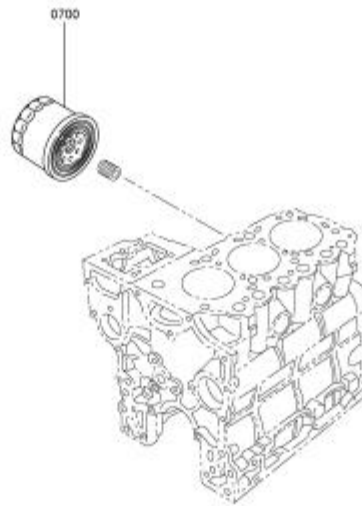
OIL PRESSURE GAGE UNIT

REF.NO.	PART NO.	PART NAME	DESCRIPTION	QTY
1350	39207972	SWITCH, OIL PRESSURE		1

- 46-

P4N01-400

OIL FILTER



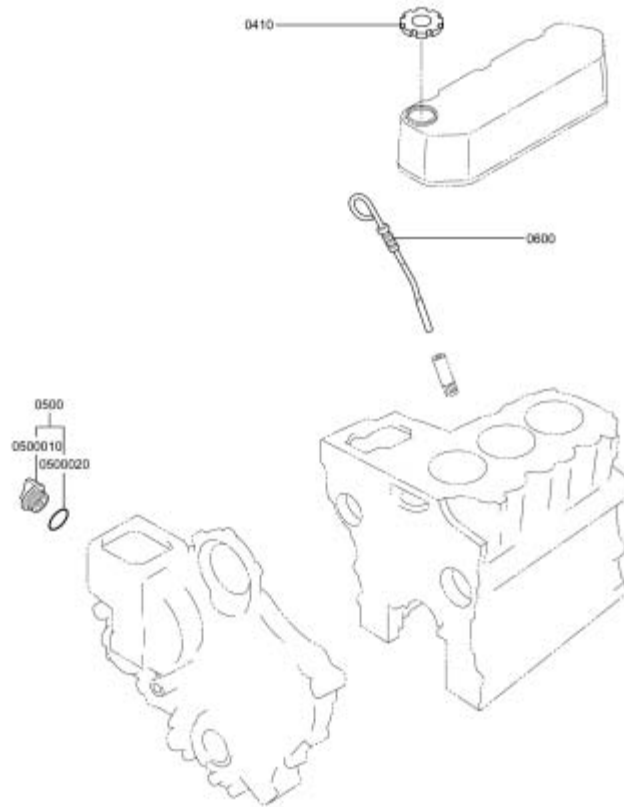
OIL FILTER

REF.NO.	PART NO.	PART NAME	DESCRIPTION	QTY
0700	39204417	FILTER ASSY, OIL		1

- 48-

P4N01-420

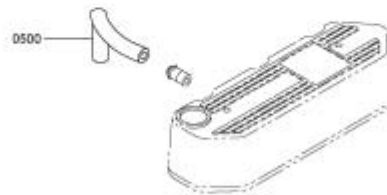
OIL FILLER & GAGE



OIL FILLER & GAGE

REF.NO.	PART NO.	PART NAME	DESCRIPTION	QTY
0410	39207973	CAP,FILLER		1
500	39207974	CAP ASSY,OIL FILLER		1
500010	39207975	CAP,OIL FILLER		1
500020	39207976	O-RING		1
600	39207977	GAUGE,OIL LEVEL		1

- 50- P4N01-430 BREATHER



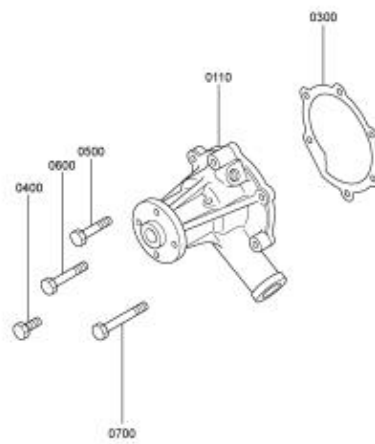
BREATHER

REF.NO.	PART NO.	PART NAME	DESCRIPTION	QTY
0500	39207978	HOSE,BREATHER		1

- 52-

P4N01-450

WATER PUMP



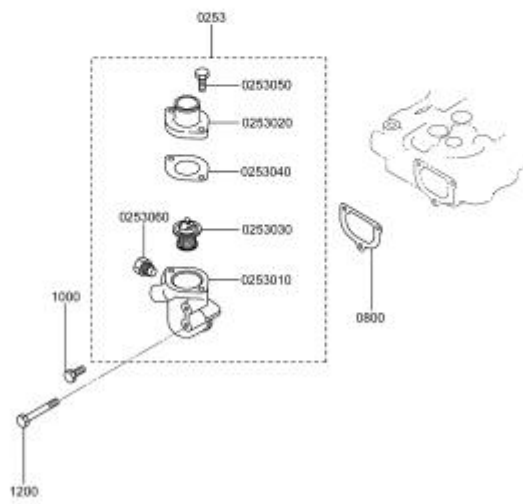
WATER PUMP

REF.NO.	PART NO.	PART NAME	DESCRIPTION	QTY
0110	39207979	PUMP ASSY,WATER		1
0300	39207980	GASKET,WATER PUMP		1
0400	39207967	BOLT		2
0500	39207909	BOLT		1
0600	39207968	BOLT		1
0700	39207910	BOLT		2

- 54-

P4N01-460

THERMOSTAT



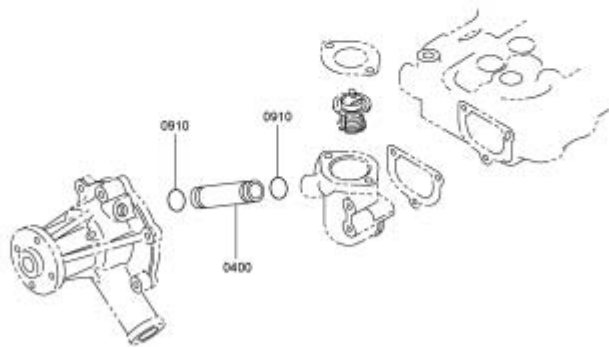
THERMOSTAT

REF.NO.	PART NO.	PART NAME	DESCRIPTION	QTY
0253	39207985	THERMOSTAT ASSY		1
253010	39207986	CASE,THERMOSTAT		1
253020	39207987	COVER,THERMOSTAT		1
253030	39207988	THERMOSTAT		1
253040	39207989	GASKET,THERMOSTAT		1
253050	39207967	BOLT		2
253060	39207991	PLUG		1
0800	39207992	GASKET		1
1000	39207993	BOLT		2
1200	39207994	BOLT		1

- 56-

P4N01-462

WATER HOSE & PIPE



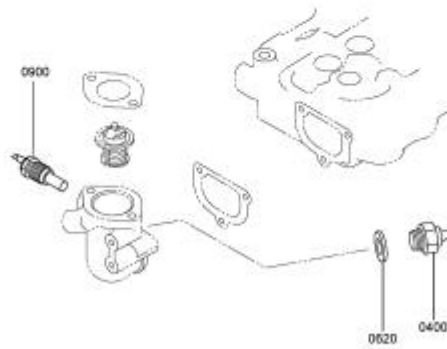
WATER HOSE & PIPE

REF.NO.	PART NO.	PART NAME	DESCRIPTION	QTY
0400	39207995	PIPE,BYPASS		1
0910	39207996	O-RING		2

- 58-

P4N01-464

WATER TEMPERATURE GAGE UNIT



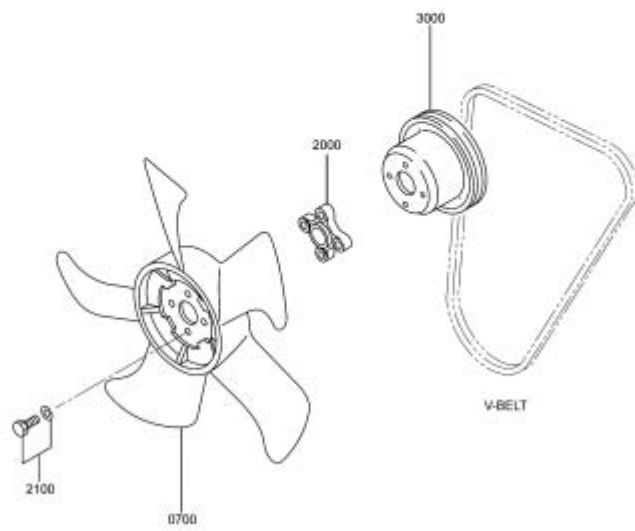
WATER TEMPERATURE GAGE UNIT

REF.NO.	PART NO.	PART NAME	DESCRIPTION	QTY
0400	39204418	SWITCH ASSY,THERMO		1
0620	39207997	WASHER,SEALING		1
0900	39204423	SENSOR,TEMPERATURE		1

- 62-

P4N01-480

FAN



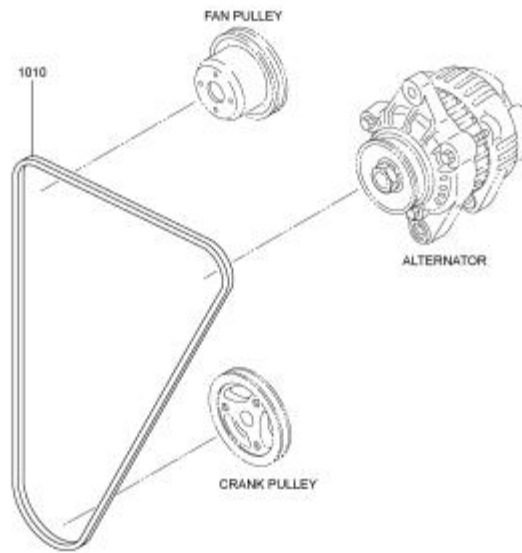
FAN

REF.NO.	PART NO.	PART NAME	DESCRIPTION	QTY
0700	39207998	FAN,COOLING		1
2000	39206357	SPACER,FAN		1
2100	39207380	BOLT,W/WASHER	B/W	4
3000	39207999	PULLEY,WATER PUMP		1

- 64-

P4N01-490

DRIVE BELT



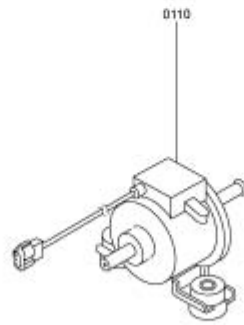
DRIVE BELT

REF.NO.	PART NO.	PART NAME	DESCRIPTION	QTY
1010	39208000	V-BELT		1

- 66-

P4N01-601

FUEL PUMP



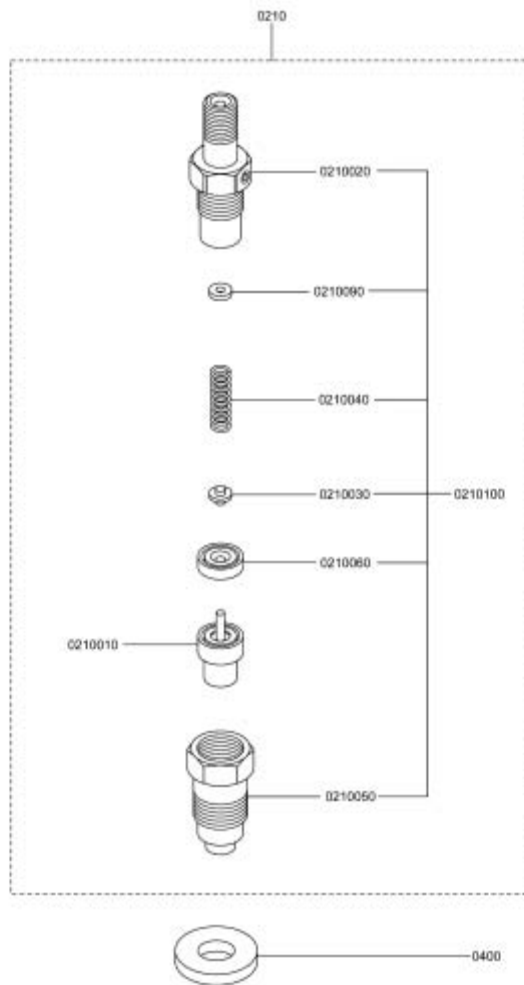
FUEL PUMP

REF.NO.	PART NO.	PART NAME	DESCRIPTION	QTY
0110	39206373	PUMP ASSY,FUEL		1

- 68-

P4N01-610

NOZZLE



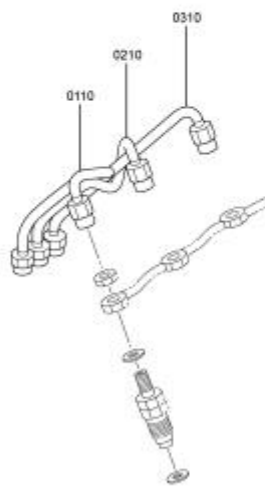
NOZZLE

REF.NO.	PART NO.	PART NAME	DESCRIPTION	QTY
0210	39208001	NOZZLE & HOLDER ASSY		3
210010	39208002	NOZZLE ASSY		3
210020	39208003	BODY SUB ASSY		3
210030	39207434	PIN,PRESSURE		3
210040	39208004	SPRING,PRESSURE		3
210050	39207468	NUT,NOZZLE RETAINING		3
210060	39207456	PIECE,DISTANCE		3
210090	39207449	WASHER	T=1.25	AR
	39207450	WASHER	T=1.30	AR
	39207451	WASHER	T=1.35	AR
	39207452	WASHER	T=1.40	AR
	39207453	WASHER	T=1.45	AR
	39207441	WASHER	T=1.50	AR
	39207435	WASHER	T=1.55	AR
	39207436	WASHER	T=1.60	AR
	39207437	WASHER	T=1.65	AR
	39207438	WASHER	T=1.70	AR
210100	39208005	HOLDER ASSY		3
400	39204420	GASKET,NOZZLE		3

- 70-

P4N01-612

FUEL INJECTION PIPE



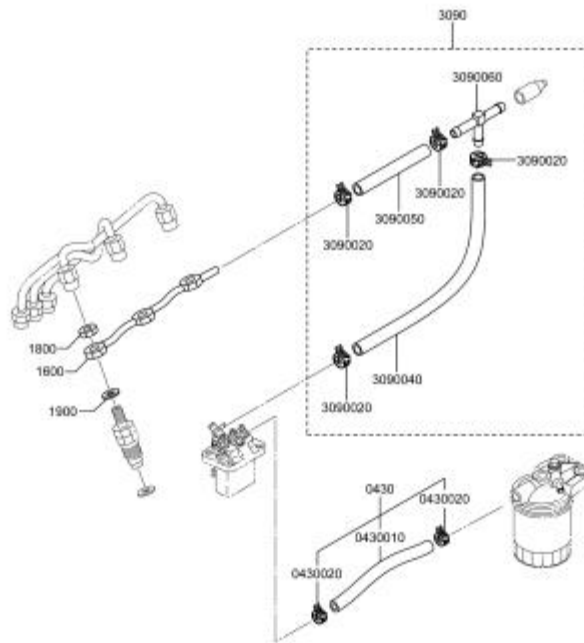
FUEL INJECTION PIPE

REF.NO.	PART NO.	PART NAME	DESCRIPTION	QTY
0110	39208006	PIPE,INJECTION	NO.1	1
0210	39208007	PIPE,INJECTION	NO.2	1
0310	39208008	PIPE,INJECTION	NO.3	1

- 72-

P4N01-616

FUEL PIPE



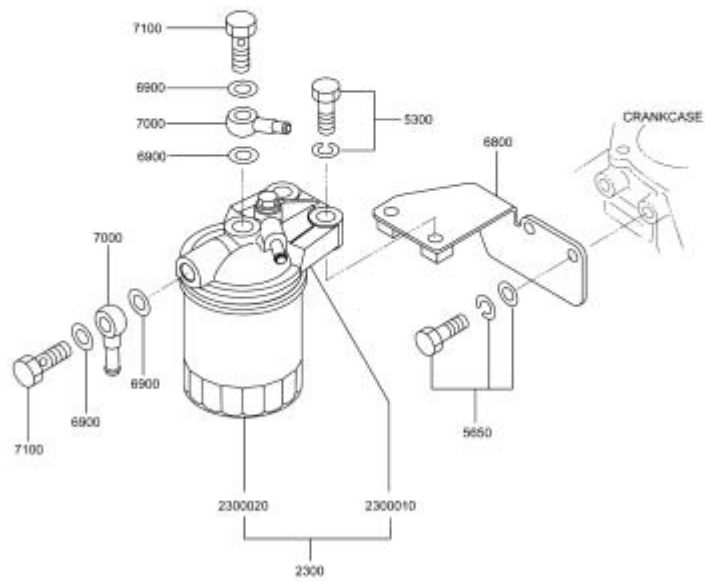
FUEL PIPE

REF.NO.	PART NO.	PART NAME	DESCRIPTION	QTY
0430	39208009	HOSE ASY,FUEL		1
430010	39208010	HOSE,FUEL		1
430020	39207381	CLIP,HOSE		2
1600	39208011	PIPE,FUEL RETURN		1
1800	39207382	NUT		3
1900	39204453	GASKET,FUEL RETURN		3
3090	39208012	HOSE ASSY,FUEL		1
3090020	39207386	CLIP,HOSE		4
3090040	39208013	HOSE,FUEL		1
3090050	39208014	HOSE,FUEL		1
3090060	39208015	JOINT,THREE WAY		1

- 74-

P4N01-620

FUEL FILTER



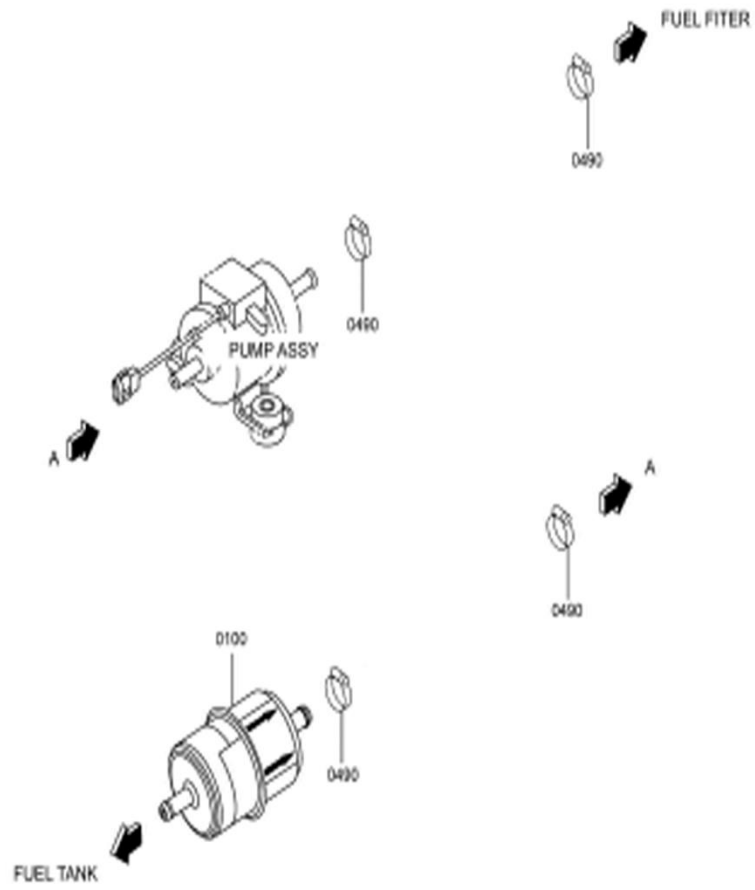
FUEL FILTER

REF.NO.	PART NO.	PART NAME	DESCRIPTION	MODEL & QTY
2300	39208016	FILTER ASSY,FUEL		1
2300010	39208017	BRACKET,FUEL FILTER		1
2300020	39204422	FILTER,FUEL		1
5300	39207384	BOLT,W/WASHER	B/W	2
5650	39207560	BOLT,W/WASHER	B/W	2
6800	39208018	BRACKET,FUEL FILTER		1
6900	39207404	WASHER,SEAL		4
7000	39207443	COLLAR,UNION		2
7100	39207422	BOLT,EYE		2

- 76-

P4N01-621

FUEL FILTER:D



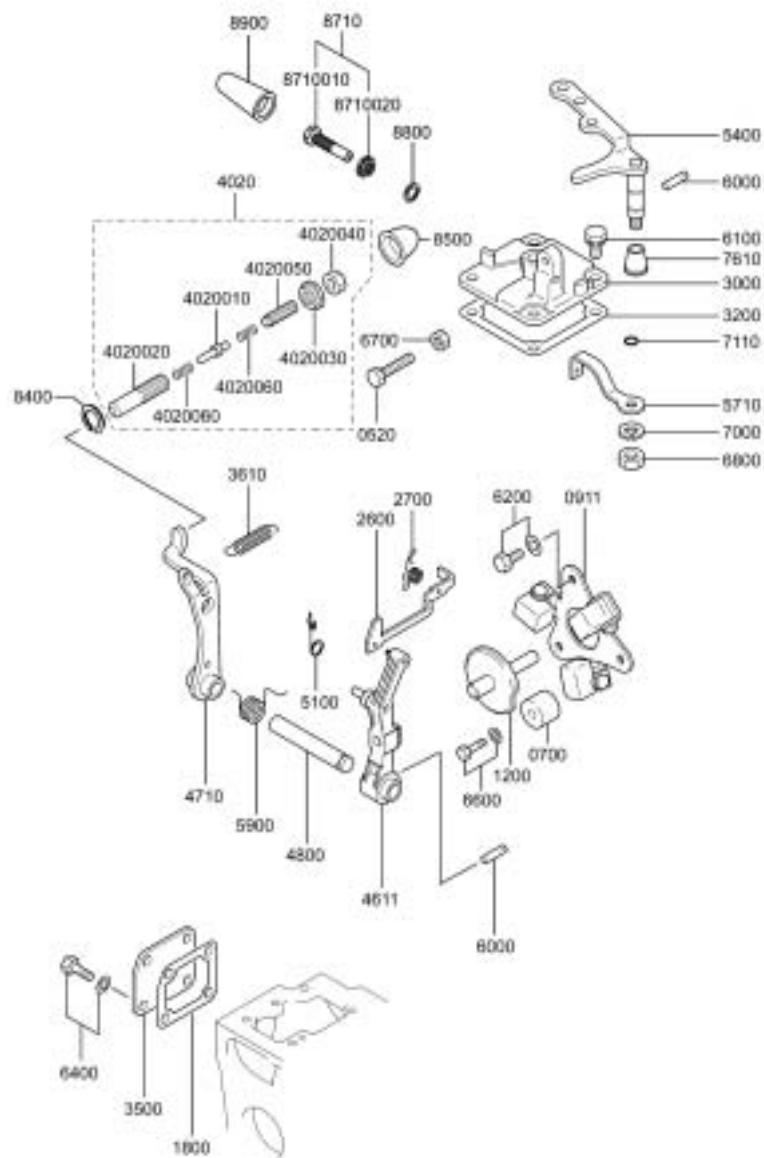
FUEL FILTER; D

REF.NO.	PART NO.	PART NAME	DESCRIPTION	QTY
0100	39204421	FILTER,FUEL PRE		1
0490	11201848	CLAMP		4

- 78-

P4N01-630

GOVERNOR



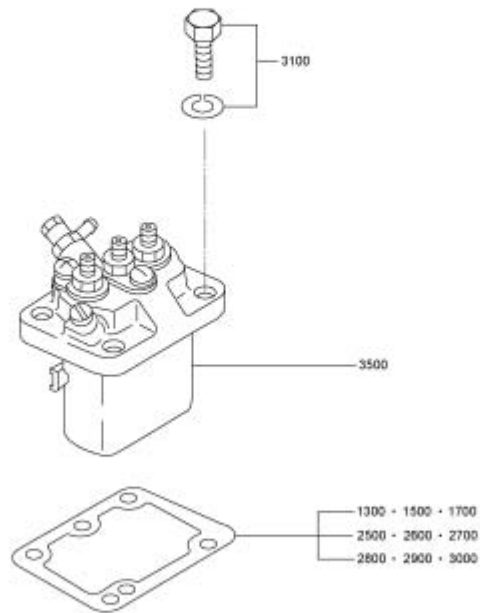
GOVERNOR

REF.NO.	PART NO.	PART NAME	DESCRIPTION	QTY
0520	39208022	BOLT,LOW IDLE SET		1
0700	39208023	STOPPER		1
0911	39208024	WEIGHT ASSY,GOVERNOR		1
1200	39208025	SHAFT ASSY,SLIDING		1
1800	39208026	GASKET,TIE ROD COVER		1
2600	39208027	ROD,TIE		1
2700	39208028	SPRING,TIE ROD		1
3000	39208029	COVER GOVERNOR		1
3200	39208030	GASKET,GOVERNOR COVER		1
3500	39208031	COVER,TIE ROD		1
3610	39208032	SPRING,GOVERNOR		1
4020	39207486	SPRING SET,TORQUE		1
4020010	39207568	STOPPER,SPRING		1
4020020	39207569	CASE,TORQUE SPRING		1
4020030	39207498	NUT,TORQUE SET		1
4020040	39207570	NUT		1
4020050	39207497	SCREW,ADJUSTING		1
4020060	39207571	SPRING,TORQUE		2
4611	39208033	LEVER ASSY,GOVERNOR		1
4710	39208034	LEVER ASSY,TENSION		1
4800	39208035	SHAFT,GOVERNOR		1
5100	39208036	SPRING,TIE ROD		1
5400	39208037	LEVER ASSY,SPEED		1
5710	39208038	LEVER,GOVERNOR		1
5900	39208039	SPRING,START		1
6000	39208040	PIN,GROOVED		2
6100	39208041	BOLT		4
6200	39208042	BOLT,W/WASHER	B/W	2
6400	39207374	BOLT,W/WASHER	B/W	4
6600	39207380	BOLT,W/WASHER	B/W	1
6700	39207367	NUT		1
6800	39207369	NUT,JAM		1
7000	39207370	WASHER,SPRING		1
7110	39208043	O-RING		1
7610	39208044	COVER,GOVERNOR SHAFT		1
8400	39207431	C-RING,TORQUE SET		1
8500	39207444	COVER,TORQUE SET		1
8710	39207446	BOLT ASSY,HIGH SPEED		1
8710001	39207376	BOLT		1
8710002	39207426	NUT		1
8800	39208045	C-RING,HIGH SPEED		1
8900	39208059	COVER,HIGH SPEED SET		1

- 80-

P4N01-650

INJECTION PUMP



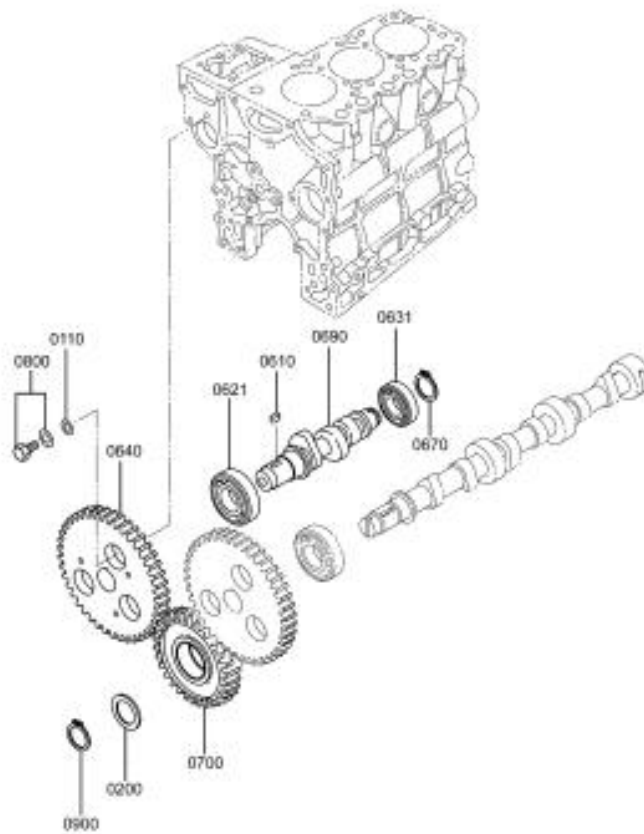
INJECTION PUMP

REF.NO.	PART NO.	PART NAME	DESCRIPTION	QTY
1300	39207848	SHIM,ADJUSTING	T=0.2	AR
1500	39207928	SHIM,ADJUSTING	T=0.3	AR
1700	39208048	SHIM,ADJUSTING	T=0.4	AR
2500	39207915	SHIM,ADJUSTING	T=0.5	AR
2600	39207916	SHIM,ADJUSTING	T=0.6	AR
2700	39208028	SHIM,ADJUSTING	T=0.7	AR
2800	39208052	SHIM,ADJUSTING	T=0.8	AR
2900	39208053	SHIM,ADJUSTING	T=0.9	AR
3000	39207917	SHIM,ADJUSTING	T=1.0	AR
3100	39208055	BOLT,W/WASHER	B/W	4
3500	39208056	PUMP ASSY,INJECTION		1

- 82-

P4N01-652

FUEL INJECTION PUMP DRIVE



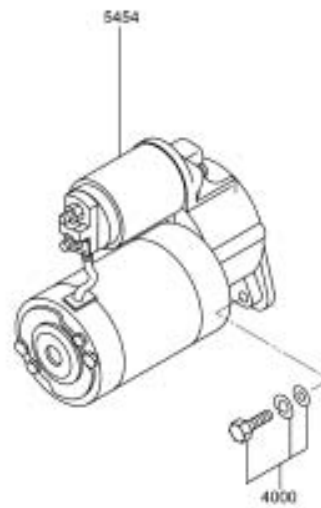
FUEL INJECTION PUMP DRIVE

REF.NO.	PART NO.	PART NAME	DESCRIPTION	QTY
0110	39207863	WASHER,CAMSHAFT STOP		1
0200	39208058	PLATE,DISTANCE		1
0610	39206388	KEY,SUNK		1
0621	39207864	BEARING,BALL		1
0631	39208060	BEARING,BALL		1
0640	39208061	GEAR,INJECTION PUMP	Z=52	1
0670	39208062	RING,SNAP		1
0690	39208063	SHAFT,INJECTION PUMP		1
0700	39208064	GEAR ASSY,IDLER	Z=40	1
0800	39207868	BOLT,W/WASHER	B/W	1
0900	39208066	RING,SNAP		1

- 84-

P4N01-660

STARTER (12V-1.2KW)



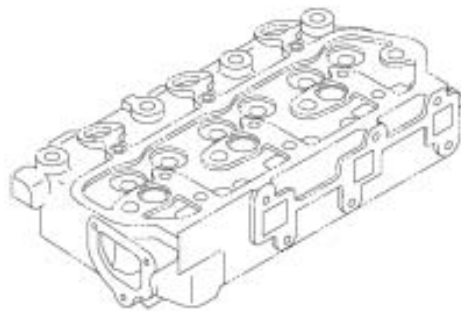
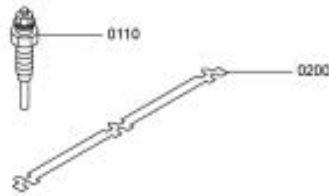
STARTER(12V-1.2KW)

REF.NO.	PART NO.	PART NAME	DESCRIPTION	QTY
4000	39208067	BOLT,W/WASHER	B/W	2
5454	39208068	STARTER ASSY		1

- 86-

P4N01-662

GLOW PLUG



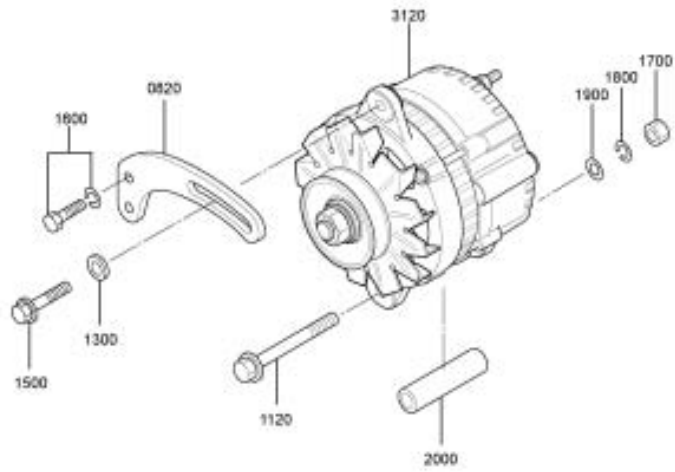
GLOW PLUG

REF.NO.	PART NO.	PART NAME	DESCRIPTION	QTY
0110	39208069	PLUG,GLOW		3
0200	39208070	PLATE,GLOW PLUG		1

- 88-

P4N01-680

GENERATOR



GENERATOR

REF.NO.	PART NO.	PART NAME	DESCRIPTION	QTY
0820	39208071	BRACE,GENERATOR		1
1120	39208072	BOLT	(8X105)	1
1300	39208073	WASHER		1
1500	39208074	BOLT,FLANGE	(8X22)	1
1600	39207374	BOLT,W/WASHER	B/W	1
1700	39207368	NUT		1
1800	39207370	WASHER,SPRING		1
1900	39207850	WASHER,PLAIN		1
2000	39208076	SPACER,ALTERNATOR		1
3120	39208077	ALTERNATOR ASSY		1

- 90-

P4N01-685

REGURATOR : D

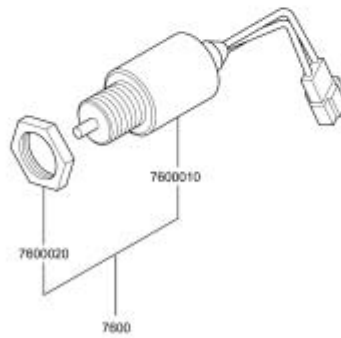


REGURATOR; D

REF.NO.	PART NO.	PART NAME	DESCRIPTION	QTY
2090	39208078	CONNECTOR,2POLES		1

P4N01-870

SPEED CONTROL

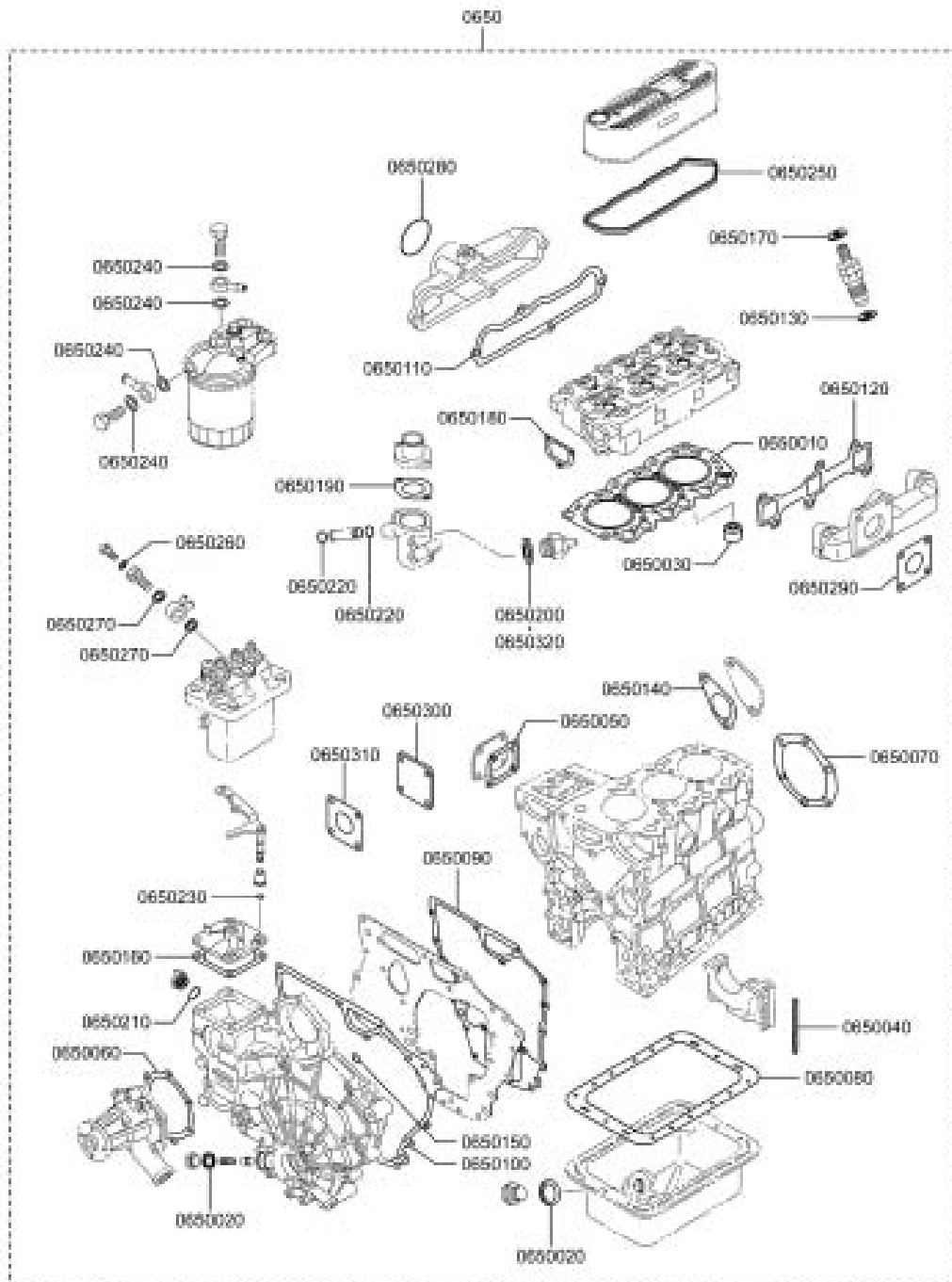


SPEED CONTROL

REF.NO.	PART NO.	PART NAME	DESCRIPTION	QTY
7600	39208079	SOLENOID & NUT SET		1
7600010	39208080	SOLENOID ASSY		1
7600020	39208081	NUT		1

P4N01-970

OVERHAUL GASKET KIT



OVERHAUL GASKET KIT

REF.NO.	PART NO.	PART NAME	DESCRIPTION	QTY
0650	39208082	GASKET KIT		1
0650010	39207823	GASKET,CYLINDER HEAD		1
650020	39208084	GASKET,OIL DRAIN		2
0650030	39204454	SEAL,VALVE STEM		6
0650040	39207883	SEAL,SIDE		4
0650050	39208026	GASKET,TIE-ROD COVER		1
0650060	39207980	GASKET,WATER PUMP		1
0650070	39207887	GASKET,OIL SEAL CASE		1
0650080	39207926	GASKET,OIL PAN		1
0650090	39207886	GASKET,FRONT PLATE		1
0650100	39207907	GASKET,GEAR CASE		1
0650110	39207966	GASKET,INTAKE		1
0650120	39208093	GASKET,EXHAUST		1
0650130	39204420	GASKET,HOLDER		3
0650140	39207870	GASKET		1
0650150	39207912	O-RING		2
0650160	39208030	GASKET,GOVERNOR COVER		1
0650170	39204453	GASKET,FUEL RETURN		3
0650180	39207992	GASKET,THERMOFITTING		1
0650190	39207989	GASKET,THERMOSTAT		1
0650200	39208099	GASKET		1
0650210	39208100	O-RING		1
0650220	39208101	O-RING		2
0650230	39208102	O-RING		1
0650240	39207404	WASHER,SEAL		4
0650250	39207855	GASKET,ROCKER COVER		1
0650260	39208104	WASHER DRAIN UNION		2
0650270	39208105	WASHER,DRAIN UNION		2
0650280	39208106	O-RING		1
0650290	39208107	GASKET,EXHAUST		1
650300	39207455	COVER,OIL PUMP SHAFT		1
650310	39207915	COVER,OIL PUMP SHAFT		1
650320	39207997	WASHER,SEALING		1